

# **Haladjian**

Mobile Equipment Solutions

*MINING*

**ESCO**<sup>®</sup>  
A Weir Group Division



**COMPONENTS**  
Rebuild Program

**Parinium**  
Genuine Parts Program



**ORDER BOOK 2022**



Our mission is delivering **innovative and effective solutions** for the mining and construction industries. Conducting our mission and the Group's activities in compliance with the laws and our values is **our priority for over 60 years**.

**Delivering service excellence** to Mining customers, we believe that **our people are the heart of our business**. We want to **stay focus on customer satisfaction** rather than on processes. We believe we can achieve this goal through autonomous and empowered management. As multi brand experts, we also assure equipment expertise

through continuous upskilling with our suppliers. With a **global portfolio of innovative products and service**, our mission is to help our customers achieve targets and **maximize productivity through top quality equipment performance**. We've been mechanically minded specialists for three generations..

## Key figures



**18**  
countries



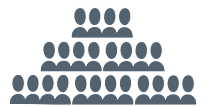
**+ 100 000**  
Part numbers in stock



**+ 12 000**  
customers



**100M€**  
turnover



**+320**  
people

## Contact



**+33 490 393 923**



**mining@haladjian.fr**

## Haladjian commits

We believe in responsible business that supports development and Corporate Social Responsibility as a vector of innovation and long-term efficiency.



**Human Rights  
Labour  
Environment  
Anti-Corruption**



View the ten principles

# Our mission

Customer support to maximize availability and cost efficiency during operations

## Improve your productivity



## No unplanned downtime



## Technical support

Highly skilled expert to supervise and train your team



# SERVICES

Let customers focus on their core business, improve machine availability, reduce maintenance and operational costs

- Multibrand coverage
- Need for **technical expertise** on-site to increase your availability
- Highly skilled expert to **supervise and train** your team
- **Strengthen your team** to manage your future project



## Service

## Mechanic

### The Team

Mechanical expert

Electricians - Mechanics

Supervisor

- Preventive Maintenance
- Rebuild component
- Powertrain repairs, (engine, torque converter/ transmission, differential, steering clutch and final drive)
- Hydraulic component maintenance and repairs
- Mechanical, electrical and hydraulic troubleshooting
- Undercarriage maintenance and/or replacement
- Technical and visual inspections



### Need express mechanical labour options ?

We offer **24/7 maintenance** solutions throughout Western Africa. Haladjian has the ability to provide maintenance staff with the equipment and industry knowledge and experience. Our services are designed to keep your equipment running around the clock. Whether you require maintenance or repairs, our highly skilled tradespeople can ensure top quality work and a timely turnaround. No risk, all is assured a safe and professional manner, and in accordance with OEM standards.



# Drill Expert

## The Team

Drill Expert

Mechanics

Supervisor

- Performing on site performance tests, evaluating statistics, analyzing root causes to upcoming issues and identifying improvements opportunities for product development.
- Provide Technical and Maintenance Training to improve the knowledge and skill on the Drilling machines troubleshoot and diagnostic.
- On site Drill Maintenance, multibrand coverage
- Rock Drilling Tools Supply
- TH Drifter and DTH Hammer break-out and rebuild services
- Drill Bit Grinding and Sharpening



# Welder Expert

## The Team

Welding experts

Welders

Supervisor

We are growing and supporting a team of welding specialists that are able to work along with your team with the basis of all works being conducted safely and efficiently.

- Work in adherence to welding procedures and specified deadlines
- Systematic quality control before leaving the bucket workshop
- Check of adherence to specifications, of the quality of the work and the assembly produced
- Work on frame, stick, boom, beam for buckets



## Remote Technical assistance

We offer **Technical assistance** solutions throughout connected site.

On-site technicians are guided by an in-house technical inspector.



# Mechanical parts

Multi-brand coverage: CATERPILLAR®, VOLVO®, LIEBHERR®, SANDVIK®, KOMATSU®, O&K®...

**Complete range of mechanical and electrical parts:**

Electrical Sub-Units, Engine Parts, Cinematics, Brake systems, Hydraulics, Transmission, Cab Equipment, Safety & Comfort.

**All mining equipments:**

Off-Highway Trucks, Dozers, Excavators, Hydraulic Mining Shovels, Motor Graders, Articulated truck, Drilling Machines...

**Logistic center**

30 000 sqm  
20 M\$ inventory

**Warehouses**

in Paris, New Jersey, Casablanca, Ouagadougou and Moussala to ensure delivery time availability



Only Genuine

Cross-references checked by our team of spare parts experts to guarantee the respect of the original technical features and mounting

Official distributor of leading Original Equipment Suppliers: Bosch rexroth®, Delco remy®, Timken®, Ntn/snr®, Carlisle®, Parker®, Goetze®, Skf®, Rbc®, Nordic light®, Hella®, Deutsch®, Kracht®, Donaldson®, Mann filter®, Baldwin®, Philips® ...



**Original**

Genuine Parts Supply

CES:

Authorized purchasing agent for CATERPILLAR® through the Caterpillar Export Service

Supply of

VOLVO®, KOMATSU® and LIEBHERR® spare parts



Direct access

to manufacturer's databases for parts search and parts identification

Warranty

Constructor's Warranty on the parts

Restore like new performance of individual component  
**machine engines, transmissions, torque converters, axle assemblies or final drive.**

Haladjian Component Rebuild Program provides a variety of repairs options, lower-cost investments, shorter downtime to ensure cost-effective performance

Choose the program option  
 that best fits your business needs



### Rebuilt Kit

- Lowest cost
- Extended life
- Parts re-use
- All you need to rebuild the component yourself



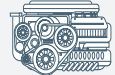
### Component Rebuilt

- Known component history
- Retain own iron
- 12 months warranty



### Component Outright

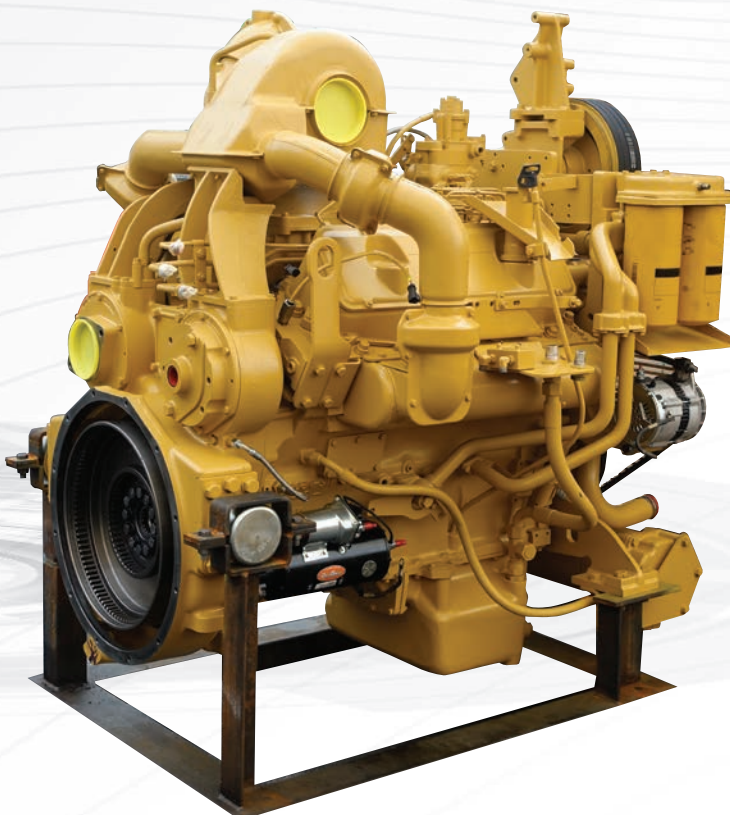
- Available on shelves
- Shortest Downtime
- 12 months warranty



### Component Exchange

- Convenience
- Shortest Downtime
- Eco-friendly option
- 12 months warranty
- Minimize cost.

**EX** Component  
change



## Certified Quality

Haladjian's CRC based in south of France is specialized in components rebuilds. Our local team is made up of rebuild experts OEM background and fully trained to provide quality work.

**1-YEAR**  
warranty

**5000 HOURS**  
warranty

## Supply chain expertise

Due to logistics connected to our component rebuild program, reverse logistics has become a big operational challenge for the group.

## Traceability

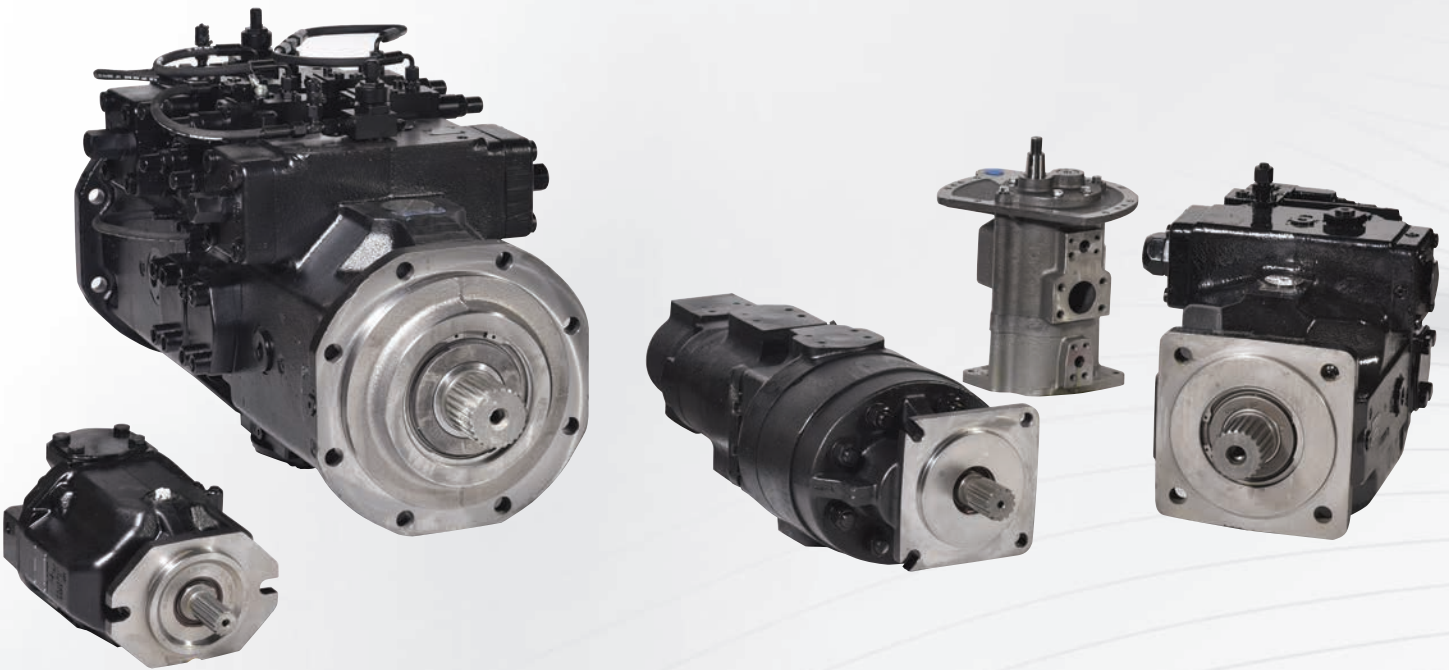
The component are tracked during the whole process to ensure traceability.

<b>Haladjian</b> Mobile Equipment Solutions		<b>EX</b> Component change	
MINING			
BRAND	CATERPILLAR	PERF SPEC	2T6476
MODEL	3408C	ORDER	
ARRANGEMENT	1693690	NUMBER	20006429/24032

# Hydraulic pumps

New or reman CATERPILLAR®,  
O&K®, LIEBHERR®, ...

**rexroth**  
A Bosch Company



## Identify your pump or motor:

The identification process is a key step

In order to offer you a suitable replacement solution, it is essential that you provide us with certain information:

- 1- model and serial number of your machine
- 2-Serial number of your hydraulic part or, failing that, the article code and the product designation.

*These indications can be found on the identification plate which is affixed to your pump or motor*





## Liebherr®

Model	Partinium P/N	Designation	Qty/machine
9250	11347379-P	Main Pump	2
	11824786-P	Double Pump	1
	11140205-P ex 10037831	Swing Pump	1
	10037830-P = 10041864+10041863	Cooling Pump	1
	10040295-P	Pilot Pump	1
	10004220-P	Travel Motor	4
9350	11347379-P	Main Pump	2
	10099837-P	Swing Pump	2
	10000074-P	Pilot Pump	1
	5611220-P	Cooling Pump	1
	11492149-P	Replenishing Pump	1
	10004220-P	Travel Motor	4

## O&K®

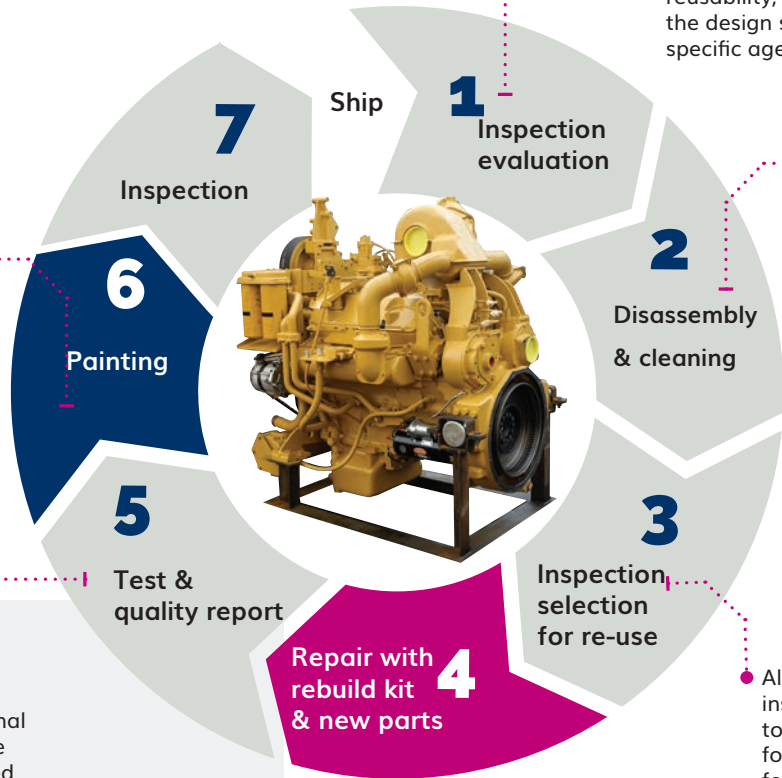
Model	Partinium P/N	Designation	Qty/machine	
RH200/6050	4689809-P	Main Pump	4	
	4679656-P	Swing Pump	4	
	4370152-P	Fan Pump	2	
	4370151-P	Replenishing Pump	2	
	5441056-P	Main Pump	4	
RH170/6040	4689833-P	Double Pump	2	
	5121045-P = 5121046-P+5121047-P	Fan Pump	2	
	4885417-P	Swing Motor	2	
	4370158-P	Travel Motor	2	
	4370161-P	Main Pump	4	
	4370146-P	Fan Pump	2	
RH120/6030	4689820-P	Replenishing Pump	2	
	4689848-P	Fan Motor	2	
	4370154-P	Travel Motor	4	
	4370157-P	Swing Motor	2	
	4689819-P	Swing Pump	2	
	4689834-P	Swing Pump	2	
	5342775-P	Swing Pump	2	
	4689822-P	Fan Pump	2	
	4370147-P	Fan Pump	2	
	4689886-P	Gear Pump	2	
	4917540-P	Gear Pump	1	
	RH90 /6018	4679658-P	Main Pump	4
		4715739-P	Swing Pump	2
4689841-P		Swing Motor	2	
4689836-P		Travel Motor	2	
4715776-P		Gear Pump	1	
RH40/6015	4370161-P	Main Pump	2	
	4689838-P	Swing Pump	1	
	4689857-P	Swing Motor	1	
	4689851-P	Fan Pump	1	
	4370156-P	Travel Motor	2	

## Caterpillar®

Model	Partinium P/N	Designation	Qty/machine	
Cat 6020B	4599698-P	Main Pump	3	
	3896779-P	Air conditioning Pump	1	
	5121045-P = 5121046+5121047	Fan Pump		
	5121046-P	Engine Fan Pump	1	
	5121047-P	Hydraulic Oil Fan Pump	1	
	4438441-P	Oil Cooler Pump	1	
	4438443-P	Pilot Gear Pump	1	
	4370981-P	Travel Motor	4	
	CAT 6015B	4208636-P	Main Pump	1
		4208637-P	Implement Pump	1
4288035-P		Engine Fan Pump	1	
4208639-P		Swing Pump	1	
5192302-P		Hydraulic Oil Cooling Fan Pump	1	
4226415-P		Engine Cooling Fan Motor	1	
1597147-P		Hydraulic Oil Cooling Fan Motor	1	
3731704-P		Swing Motor	2	
4288036-P		Travel Motor LH	1	
4208638-P		Travel Motor RH	1	

# Component Rebuild Process

Rebuild process begins with careful inspection of the used core for reusability, looking in particular at the design status, wear and tear, and specific ageing characteristics.



Your component will perform like new and look like new after paint job.

When disassembling used parts, special tools, careful handling procedures and precise specifications for disassembly forces and other process parameters allow us to protect functional surfaces and prevent damage such as plastic deformation, microcracking and fractures.

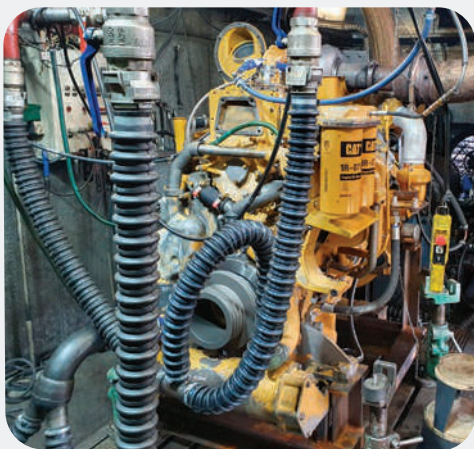
Following the original testing process, the component is tested

All components are carefully inspected after cleaning to confirm their suitability for reassembly. Again, the focus is on wear and tear and ageing, as well as on conformity with OE new-part specifications and drawings.

Automatic replacement of parts that don't meet strict reusability guidelines with new genuine parts.



Test/quality report



Engines are bench test twice to insurance optimal quality and results reports are shared. Others components are dyno tested

100 % Genuine parts



# Circular Economy

## Why choosing Haladjian rebuild components

Rebuild programs is a way to **integrate sustainability** into our core business. Using the concept of circular economy to give a second life to component.

Haladjian offers new ways to **reduce, reuse, recycle** component instead of buying a new equipment.

Rebuild programs increase the lifetime of equipment and provide customers an option to **reduce waste** and minimize the use of new materials



# REBUILT CENTER



Let customers focus on their core business, improve machine availability, reduce maintenance and operational costs

## Component Arrival



## Disassembling Component



## Inspection Report



## Parts Recommendation



## Assembling Component



## Performance Test



# Why choosing Haladjian rebuild components

Rebuild programs is a way to **integrate sustainability** into our core business. Using the concept of circular economy to give a second life to component.

Haladjian offers new ways to **reduce, reuse, recycle** component instead of buying a new equipment.

Rebuild programs increase the lifetime of equipment and provide customers an option to **reduce waste** and minimize the use of new materials



## OUAGADOUGOU CRC





# Wear parts **ESCO®**

A Weir Group Division

HALADJIAN, OFFICIAL ESCO® DEALER

**ESCO® is the global leader in G.E.T for large mining machines.**

ESCO® provides highly engineered ground engaging tools (G.E.T) used in global mining and infrastructure markets. Its equipment is mission critical to the efficient extraction and transport of materials.

Supporting miners to produce for a lower total cost through a complete range :

- Tooth Systems
- Blades and End Bits
- Lip Systems, Shrouds
- Hydraulic Mining Products
- Dragline Buckets
- Ripper Products



# Success story **ESCO**<sup>®</sup> A Weir Group Division

For a customer in Mali, the Mining Team and the Design Office of Haladjian made improvements on a bucket to upgrade its productivity on a LH517 and a LH621 machine.

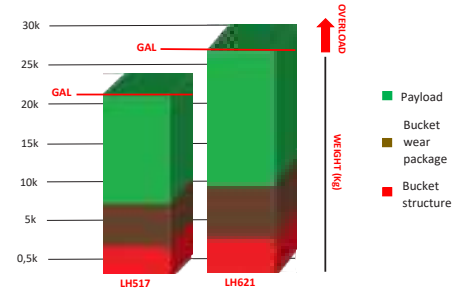
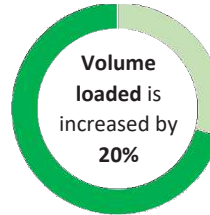
Geology and mineral: gold/ extremely hard and abrasive rock  
Challenge: features and benefits of UltraEdge<sup>®</sup> LHD Bucket

## Maintenance

- Longer wear life and greater productivity
- Unique profile design enables the shrouds to stay sharp through-out its wear life

## Production

- Reduced Tyre consumption
- Increased bucket capacity respecting the machine GAL



## BUCKET IMPROVEMENTS

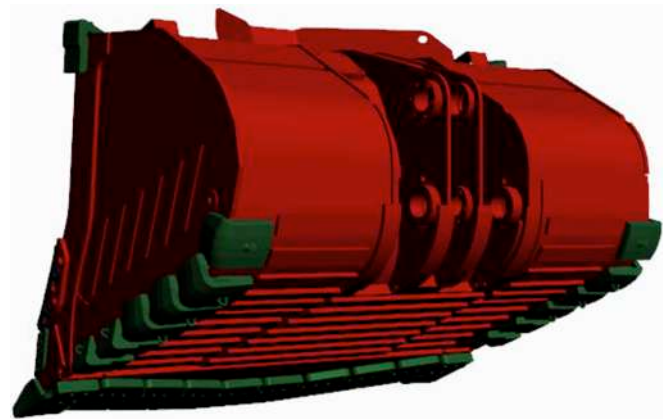
Upper impact protection

Upgraded Wing shroud

Rock deflector

Welding joint wear protection

Bucket structure reinforcement plate



Wear package improvements

## GET : ESCO ULTRAEDGE<sup>®</sup> RANGE



REMOVE Standard wrench tool only  
Safety access  
Easy removal



WORN OUT



INSTALL  
Suitable for any lip width  
Self-sharpening profile  
More usable wear metal



NEW



# Wear parts

**ESCO®**  
A Weir Group Division

## NEMISYS SYSTEM

Lower G.E.T. Cost per ton

Completely hammerless

Increased reliability

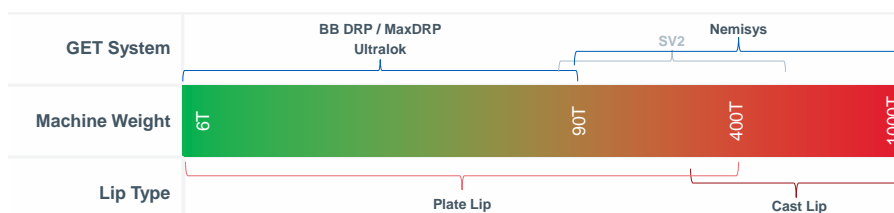
Safer field replacement

Lower maintenance costs

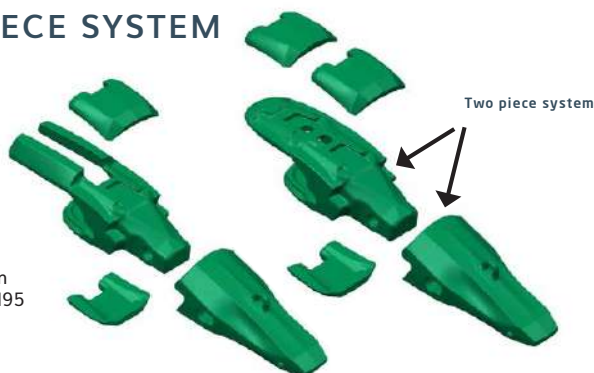


## One single product line Nemisys®t force

Machine Size: Smaller Machine → Larger Machine  
 Duty Class: General Purpose → Heavy Duty  
 Machine Strength: Low Breakout Force → High Breakout Force

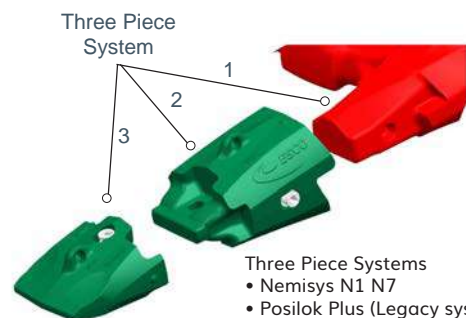


### NEMISYS N65 – N95 TWO PIECE SYSTEM



Two piece system  
 • Nemisys N65-N95  
 • SV2

### NEMISYS N1 – N7 THREE PIECE SYSTEM



Three Piece Systems  
 • Nemisys N1 N7  
 • Posilok Plus (Legacy system)

SIZE	CATERPILLAR	KOMATSU	LIEBHERR
N65	374F	PC700	R980
N70	390F	PC800 / PC1250	R9100
N80	6015B		R9150
N90	6020B	PC2000	R9200
N90	6030/ RH120	PC3000	R9250
N95			R9350
N95		PC4000	R9400
N1	6040 / RH170 / 6050/ RH200	PC5500	
N3	6060/ RH340		R996



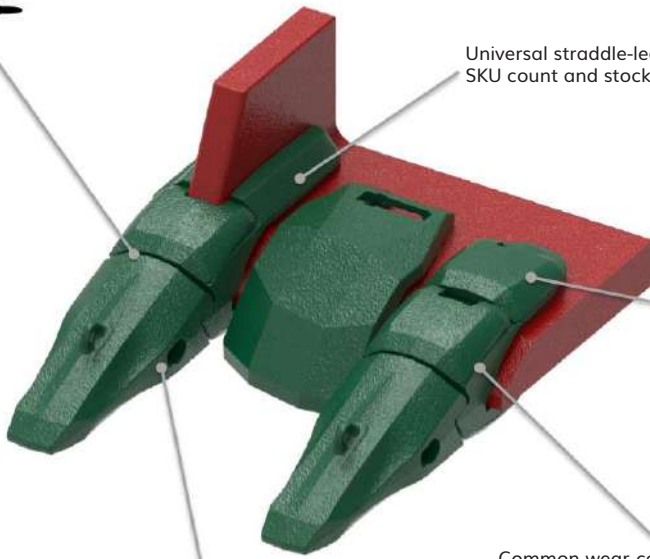


## Features and Benefits



Points and wear-caps cast in ESCO's premium alloy  
For longer wear-life and fewer change-outs

Universal straddle-leg adapter reduces  
SKU count and stocking requirements



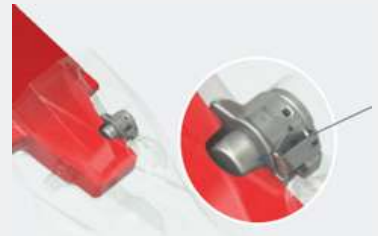
Rear top-leg and  
bottom  
wear-caps  
extend adapter  
life

Common wear-cap used in all  
locations reduces SKU count



Single-sided Safetylok for excellent  
retention and easier, faster removal

## A safety system



Positive lock  
engagement with the Nemisys  
system reduces the chance of lost teeth



## +Nemisys® system is engineered to outlast

ESCO® alloys provide exceptional balance  
of hardness and toughness for unsurpassed  
reliability and performance

Brinell hardness :

Extremely accurate method of measuring the  
hardness of steel by pressing a chromium-  
steel or tungsten-carbide ball into the smooth  
material surface at a standard load pressure.  
The hardness is expressed as a Brinell Hardness  
Number (BHN).

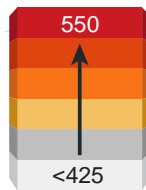
Longer wear life :

Despite the Nemisys point weighing 15% less  
than the comparable Hensley® point, initial  
testing indicates up to 12% longer wear life due  
to its enhanced profile and superior ESCO alloy  
Self sharpening :

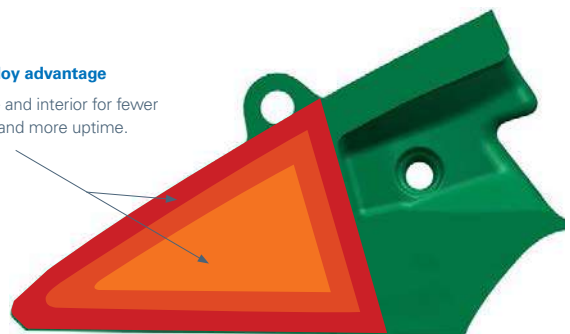
Unique profile design enables the tooth to stay  
sharp throughout its wear life

### The ESCO® alloy advantage

Harder surface and interior for fewer  
replacements and more uptime.



Brinell hardness



# Welding : Training and mentoring

Help your welders at achieve their expertise

Upon completion of the Welding program, you will be able to:

## SCOPE OF WORKS CONTENT OUTLINE



Follow general welding shop safety rules and protocol utilizing critical thinking skills

Identify the fundamental theory and principals of Shielded Metal Arc Welding (SMAW), Gas Metal Arc Welding (GMAW) and Flux Core Arc Welding (FCAW), apply and demonstrate this theory in various applications.

Identify general welding shop fabrication practices, maintain and operate general fabrication equipment and machinery (for instance crack repair on Bucket, frame or structural parts)

Implement the applicable welding standards and maintenance procedure in the workshop

A complet and progressive training program offer



All candidates have the potential to become proficient in this discipline with the correct training and tooling  
Any development plan start with a workshop Assesment to be sure than appropriated tooling will be available for the training.  
After workshop assessment each trainees will be asses to build in collaboration with the maintenance manager an individual training plan

# A Certification Plan : Accessible to any level

How does it works

## TRAINING MATRIX

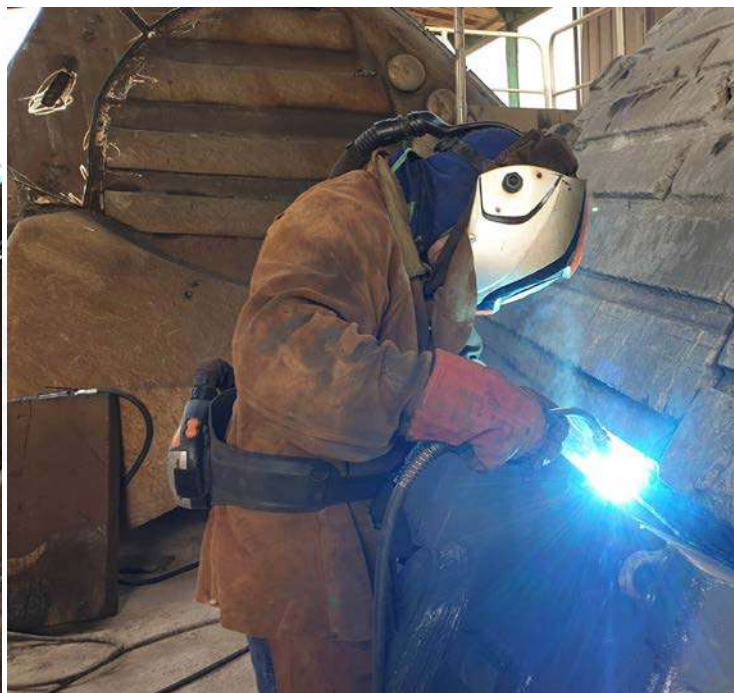
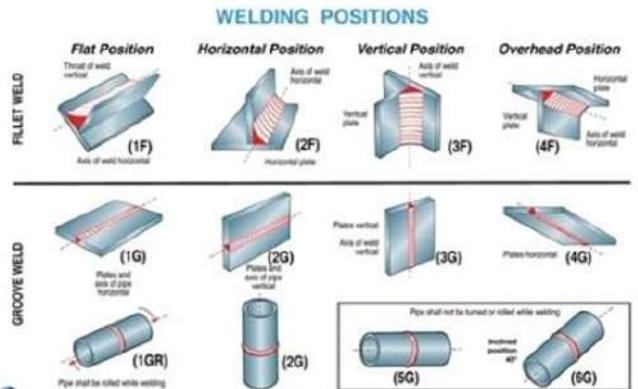
Workshop assessment  
1 month

Example for a SMAW / FCAW / GMAW development plan

Hand held	Arc - Air	Oxy/ Act cutting	Plasma cutting	Static welding	Mobile welding	Magnetic	Drawing &	Training & Testing
Grinders	Gouging	Equipment	Equipment	Equipment	Equipment	Drilling machine	Welding Symbols	Welding Positions: 1G/3G/4G/1F/3F/4F
4 hrs	6 hrs	4 hrs	6 hrs	6 hrs	6 hrs	2 hrs	4 hrs	Assessment Welding Tests

On site certification

Certification	Description	3G*	3F*	4G*	4F*
1	Haladjian SMAW Certification Shield Metal Arc Welding	100%	100%	100%	100%
2	Haladjian GMAW Certification Gas Metal Arc Welding. Different M.I.G/M.A.G welding setting	100%	100%	100%	100%
3	Haladjian FCAW Certification Flux Cored Arc Welding	100%	100%	100%	100%



# Undercarriage

HALADJIAN HAS BEEN AN OFFICIAL  
BERCO® DEALER FOR 40 YEARS



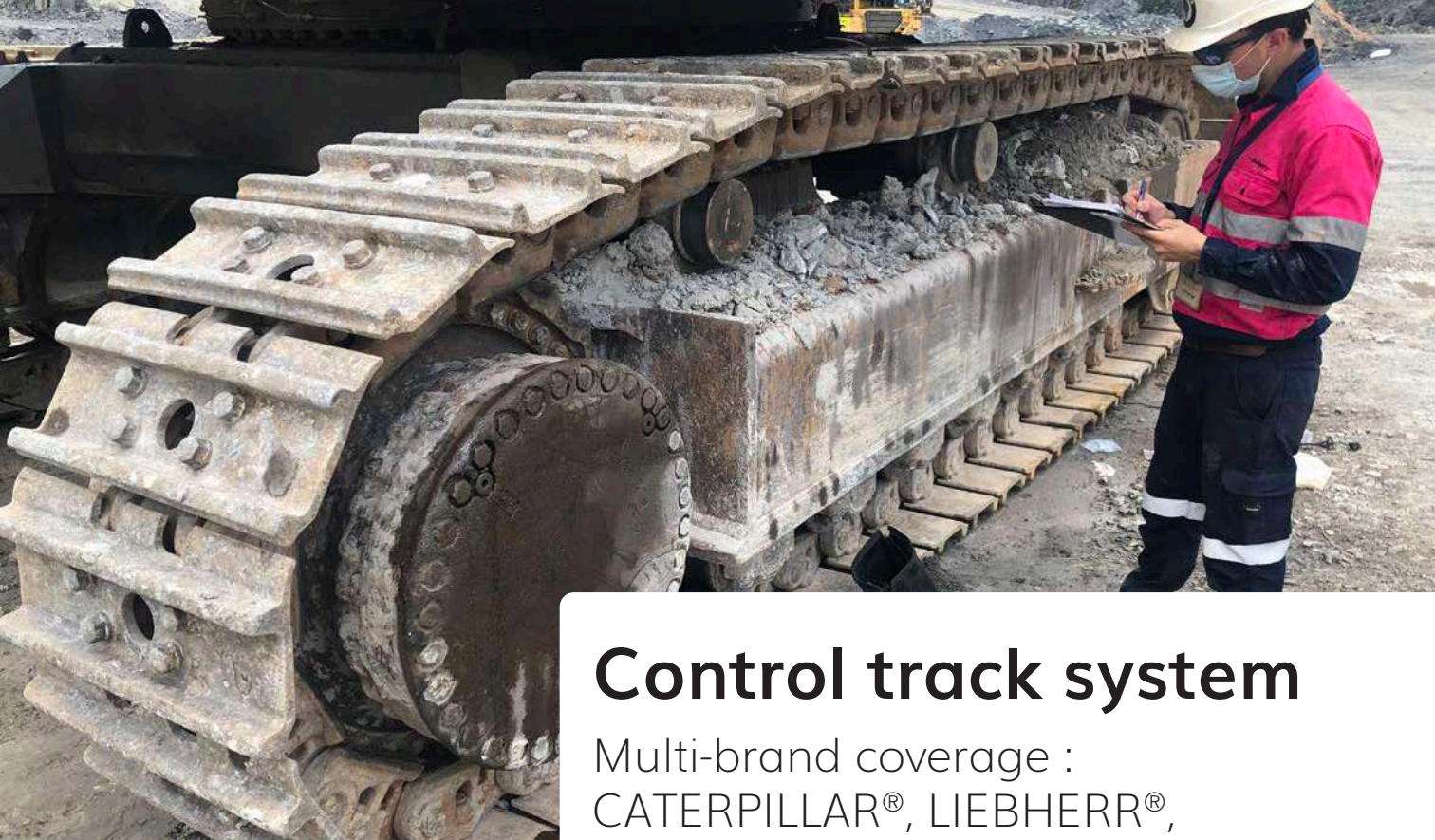
BERCO® is the no1 manufacturer of heavy duty undercarriage.  
For 100 years, BERCO® has developed tailor-made undercarriage solutions for all types of machinery.  
We produce mission critical undercarriages for mining, construction, forestry and agriculture machinery.  
Together with our customers, we create long lasting solutions by combining know-how in design, forging, heat treatment, machining and assembling.  
Working towards progress is our mission. Superior engineering and technology, comprehensive know-how and state-of-the-art manufacturing ensure the highest quality.

## BERCO MINING PRODUCTS

Berco Mining Products offer an efficient, reliable and full-lifecycle range of solutions for open pit mining, quarrying and high-volume earthmoving operations, for tracked machines ranging from 50 to 400 tons with 240-395 mm chain pitch.

## CRAWLER SYSTEM





# Control track system

Multi-brand coverage :  
 CATERPILLAR®, LIEBHERR®,  
 KOMATSU®, O&K®, SANDVIK®,  
 EPIROC®...

Excavators, dozers, drills, tracks  
 machines, ..

This service will allow you to follow the state of wear of your tracks  
 and this prevent possible breakages.



## #bercodigital Bopis Life - Ultrasound Kit

Bopis Life provides an immediate wear diagnosis for the undercarriage components. Thanks to an internal algorithm and wear parameters, Bopis Life is able to foretell when a component must be replaced.

### Advantages:

- UC conditions immediate feedback;
- Stock improvement;
- Reduced total cost of ownership;
- UC benchmarking;
- Machine benchmarking;
- Cost per hour information;
- More productivity;
- All this data will allow Berco to provide better products for you





# Summary

<b>CATERPILLAR</b>	TRUCKS	777F JRP	p. 18 - 21
		777D AGC	p. 22 - 25
		777D 3PR	p. 22 - 27
		777D FKR	p. 22 - 29
		777G TNM	p. 30 - 31
		777E KDP	p. 32 - 33
		785C APX	p. 34 - 37
		789C 2BW	p. 38 - 39
		789D SPD	p. 40 - 41
	793D FDB	p. 42 - 43	
	745C LFK	p. 44 - 45	
	DOZERS	D9R WDM	p. 46 - 53
		D10T RAB	p. 54 - 63
		D10T RJG	p. 56 - 63
	EXCAVATORS	6015B WSN	p. 64 - 69
		6020B DNR	p. 70 - 73
		336D J2F	p. 74 - 77
		336D YCF	p. 75 - 77
		390F GAY	p. 78 - 81
LOADERS	966H A6G	p. 82 - 88	
	966H BJ6	p. 84 - 88	
	966H TAL	p. 86 - 88	
	988H BXY	p. 90 - 95	
	988K LWX	p. 92 - 95	
	992K ZMX	p. 96 - 101	
GRADERS	992KH4C	p. 98 - 101	
	14M E9S	p. 102 - 105	
	14H 7WJ	p. 106 - 111	
	14H ASE	p. 108 - 111	
	16M R9H	p. 112 - 117	
TRUCKS	16M B9H	p. 114 - 117	
	HD785-7	p. 118 - 119	
DOZERS	D275A-5	p. 120 - 123	
	D375A-6	p. 124 - 127	
EXCAVATORS	PC1250SP-8	p. 128 - 131	
	PC2000-8	p. 132 - 135	
LOADERS	WA600-6	p. 136	
	WA800	p. 137	
GRADERS	GD825A-2	p. 138	
<b>VOLVO</b>	TRUCKS	A35F	p. 140
		A40E	p. 141
		A40F	p. 142 - 143
		A45G	p. 144 - 145
<b>LIEBHERR</b>	EXCAVATORS	R9150	p. 146 - 149
		R9200E	p. 150 - 153
		R9250	p. 154 - 157
		R9350	p. 158 - 161
		RH90C	p. 162 - 167
<b>O &amp; K</b>	EXCAVATORS	RH120E	p. 168 - 173
		RH200	p. 174 - 179
		RH340B	p. 180 - 185
		DP1100	
<b>SANDVIK</b>	Drills	DP1500	

# Partinium® program



## Electrical Parts

	PRODUCT	PART NUMBER	QTY
	ALTERNATOR GP-CHARGING	2357133-P	1
	BATTERY GP(12-VOLT, MAINTENANCE FREE, WET)	1152422-P	4
	STARTING MOTOR GP-ELECTRIC	3383454-P	1

## Air conditioning

	PRODUCT	PART NUMBER	QTY
	ACCUMULATOR-REFRIGERANT(CHARGED)	3082583-P	1
	MOTOR AS-BLOWER(24-VOLT)(HEATER, A/C)	2756706-P	1
	COMPRESSOR GP-REFRIGERANT	3201291-P	1
	DRYER AS-REFRIGERANT(IN-LINE)	3200562-P	1
	SWITCH AS-THERMOSTAT(HVAC)	3E5464-P	1

## Cab parts

	PRODUCT	PART NUMBER	QTY
Window	Window	1580988-P	1
Mirror	Mirror AS	3485709-P	2
	Mirror-Convex(RH)	3533585-P	1
	Mirror-Convex(LH)	3533587-P	1
	Mirror-Rear View(Power, Heated, LH)	3731753-P	1
	Mirror-Rear View(Power, Heated, RH)	3731754-P	1
	Mirror AS	4358432-P	1
	Arm AS-Window Wiper	1688927-P	1
	Blade AS-Wiper(500-MM)	5C8811-P	1
	Blade AS-Wiper(700-MM)	6V7419-P	1
	Pump AS-Washer(24-VOLT)	4160021-P	1

## Hydraulic

	PRODUCT	PART NUMBER	QTY
	Ring-Backup	1K7095-P	1
	Seal-O-Ring	3E6703-P	1
	Ring-Wear	4J3745-P	1
	Ring-Retaining	1J6472-P	2
	Pin	1506553-P	2
	Pin AS-Tip Cylinder	2U9202-P	1
	PUMP GP-PISTON -BRAKE, FAN, HOIST	3736527-P	1
	PUMP GP-PISTON -STEERING	3736528-P	2
	Motor GP-Elec Hyd Pump(Steering)	3898169-P	1
	Bearing-Aligning	6V5002-P	1
	Cover-Hydraulic Cap	5D1911-P	1

## Frame

	PRODUCT	PART NUMBER	QTY
	Absorber-Shock	1544812-P	2
	Pin-Hitch	1564078-P	1
	Pin-Hitch	3016951-P	1
	PUMP GP-LUBRICATION	3431849-P	1
	Mount AS	2114987-P	4
	Pin	2120136-P	4
	Bushing	3518204-P	2
	Bearing	3016946-P	1





## Power Train and braking system

PRODUCT	PART NUMBER	QTY
CONE-BEARING	1418891-P	2
CUP-BEARING	1418892-P	2
Actuator AS-Parking Brake	2060408-P	1
Filter AS-Breather(Power Train)	8X4575-P	1
Cup-Bearing	2D9454-P	1
Cone-Bearing	2D9455-P	1
Cup-Bearing	6B4370-P	1
Cone-Bearing	8S9075-P	1
Cup-Bearing	8S9076-P	1
Cup-Bearing(Tapered Roller)	1M6573-P	1
Universal Joint GP-Rotor Drive	1730888-P	2
SLIP JOINT GP	5457169-P	1
Universal Joint AS	2T3013-P	2
SLIP JOINT GP	5457159-P	1
SLIP JOINT GP	5457166-P	1
Cone-Bearing(Tapered Roller)	2K5066-P	2
Bearing AS-Tapered Roller	2K9295-P	1
Cup-Bearing	7K5448-P	1
Cone-Bearing	7K5449-P	1
Cup-Bearing(Tapered Roller)	3B4124-P	1
CUP-BEARING(TAPERED ROLLER)	2P1823-P	1
CONE-BEARING(TAPERED ROLLER)	2P1824-P	1

## COMPONENTS Rebuild Program



Engines are bench test twice to insurance optimal quality



All transmissions are dyno tested before shipping.

### Engine

Ref	Rebuilt kit 3538645-REBK	Component		
		Outright 3538645-OUT	Rebuild 3538645-REB	Exchange 3538645-PEX
<b>Parts replaced systematically :</b>				
Complete reman cylinder heads	●	●	●	●
Complete reman cylinder packs	●	●	●	●
Oil pump	●	●	●	●
Turbochargers	●	●	●	●
All injectors	●	●	●	●
Water pumps, coolant hoses	●	●	●	●
Engine harness and sensors	●	●	●	●
Alternator and starting motor	●	●	●	●
Camshafts	●	●	●	●
ECM	●	●	●	●
All seals, bearings and bushings	●	●	●	●
Breathers and filters	●	●	●	●
Exhaust bolts, spacers and sleeves	●	●	●	●
Belt, pulleys and tensioner	●	●	●	●
Water temperature regulator	●	●	●	●
All rocker arms	●	●	●	●
Hoses	●	●	●	●
Oil cooler Engine and transmission	●	●	●	●
Fuel pump	●	●	●	●
Air conditioning compressor	●	●	●	●
Engine block*		●	●	●
Front and rear Housing*		●	●	●
Pan oil*		●	●	●
Crankshaft*		●	●	●
Exhaust and intake manifolds*		●	●	●
Timing gears*		●	●	●
Flywheel*		●	●	●
Core return			●	●
Limited downtime		●		●

### Transmission

Ref	Rebuilt kit 2462647-REBK	Component		
		Outright 2462647-OUT	Rebuild 2462647-REB	Exchange 2462647-PEX
<b>Parts replaced systematically :</b>				
All seals	●	●	●	●
All bearings	●	●	●	●
Valves	●	●	●	●
Shim packs	●	●	●	●
All friction discs and plates	●	●	●	●
All clutch springs	●	●	●	●
Lubrication tubes	●	●	●	●
Sensors	●	●	●	●
Plugs and nipples	●	●	●	●
Springs	●	●	●	●
Harness	●	●	●	●
Solenoids	●	●	●	●
Gears		●	●	●
Housings		●	●	●
Piston		●	●	●
Core return			●	●
Limited downtime		●		●

\*Parts inspected and charged additionally if they don't meet CAT Specifications :



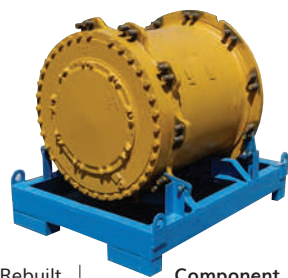
## Torque converter

Ref	Rebuilt kit	Component		
		Outright	Rebuild	Exchange
2495539-REBK	2495539-OUT	2495539-REB	2495539-PEX	
<b>Parts replaced systematically :</b>				
All seals and all bearings	●	●	●	●
Valve wear Parts : springs, sleeves, seals	●	●	●	●
Pump	●	●	●	●
Lock up discs and plate	●	●	●	●
Sensors and coils	●	●	●	●
Impeller, turbine and stator	●	●	●	●
Housing*		●	●	●
Clutch Piston*		●	●	●
Shafts*		●	●	●
Gears*		●	●	●
Core return			●	●
Limited downtime		●		●



## Differential

Ref	Rebuilt kit	Component		
		Outright	Rebuild	Exchange
2662091-REBK	2662091-OUT	2662091-REB	2662091-PEX	
<b>Parts replaced systematically :</b>				
All seals and all bearings	●	●	●	●
Internal bolts, nuts washer and dowels	●	●	●	●
Spider	●	●	●	●
Retainer	●	●	●	●
Gear support washer	●	●	●	●
Bevel gear	●	●	●	●
Gears, pinions*		●	●	●
Carrier AS - Differential*		●	●	●
Core return			●	●
Limited downtime		●		●



## Rear Wheel Station

Ref	Rebuilt kit	Component		
		Outright	Rebuild	Exchange
3077341-REBK	3077341-OUT	3077341-REB	3077341-PEX	
<b>Parts replaced systematically :</b>				
All seals and all bearings	●	●	●	●
All brake springs	●	●	●	●
All friction discs and plates	●	●	●	●
All stud, nuts & washer	●	●	●	●
Shafts	●	●	●	●
Seal GP - Duo-cone	●	●	●	●
Housing and hub*		●	●	●
Gears*		●	●	●
Wheel spindle*		●	●	●
Carriers*		●	●	●
Brake piston*		●	●	●
Core return			●	●
Limited downtime		●		●



## Front Wheel station hydraulic brake

Ref	Rebuilt kit	Component		
		Outright	Rebuild	Exchange
2612356-REBK	2612356-OUT	2612356-REB	2612356-PEX	
<b>Parts replaced systematically :</b>				
All seals and all bearings	●	●	●	●
All brake springs	●	●	●	●
Friction, plate and damper discs	●	●	●	●
Studs, nuts and washers	●	●	●	●
Pin springs	●	●	●	●
Seal GP - Duo-cone	●	●	●	●
Housing*		●	●	●
Wheel spindle*		●	●	●
Brake piston*		●	●	●
Core return			●	●
Limited downtime		●		●

## Rear Suspension

Ref	Rebuilt kit	Component		
		Outright	Rebuild	Exchange
3356354-REBK	3356354-OUT	3356354-REB	3356354-PEX	
<b>Parts replaced systematically :</b>				
All seals	●	●	●	●
Spherical bearings	●	●	●	●
Valve	●	●	●	●
Reman rod	●	●	●	●
Cylinder tube*		●	●	●
Core return			●	●
Limited downtime		●		●



## Front Suspension

Ref	Rebuilt kit	Component		
		Outright	Rebuild	Exchange
3356352-REBK	3356352-OUT	3356352-REB	3356352-PEX	
<b>Parts replaced systematically :</b>				
All seals	●	●	●	●
Fittings	●	●	●	●
Reman rod	●	●	●	●
Housing*		●	●	●
Core return			●	●
Limited downtime		●		●

\*Parts inspected and charged additionally if they don't meet CAT Specifications :

## Partinium® program



## Electrical Parts

	PRODUCT	PART NUMBER	QTY	
Alternator	ALTERNATOR GP-CHARGING 24-VOLT, 95-AMPERE	2267683-P	1	
	REGULATOR AS-VOLTAGE(24-VOLT)(ALTERNATOR)	1852648-P	1	
Battery	BATTERY GP(12-VOLT, MAINTENANCE FREE, WET)	1535710-P	4	
Harness	HARNES AS-CHASSIS(MAIN)	2984577-P	1	
	HARNES AS-CHASSIS(REAR)	2984578-P	1	
	HARNES AS-CHASSIS(MID)	2475628-P	1	
	HARNES AS-VALVE(SEAT AIR COMPRESSOR)	1927805-P	1	
	HARNES AS-TRANSMISSION	3239470-P	1	
	HARNES AS-ENGINE	2475644-P	1	
	SENSOR GP-PRESSURE	1946722-P	1	
Starting motor	STARTING MOTOR GP-ELECTRIC	3383454-P	2	

## Engine Parts

	PRODUCT	PART NUMBER	QTY	
Bearings	BALL BEARING	1T0210-P	2	
	BELT TENSIONER	3298797-P	1	
Belts, tensioners and pulleys	BELT TENSIONER	1900642-P	1	
	V-BELT SET -INCLUDES 4-BELTS	8N6710-P	1	Includes 4 belts
Turbocharger	CARTRIDGE GP-TURBOCHARGER	3021409-P	2	
	TURBOCHARGER GP S/N LJW1-UP	3320045-P	1	
	TURBOCHARGER GP S/N LJW1-UP	3320046-P	1	
	TURBOCHARGER GP S/N LJW2852-UP	3027439-P	1	
	TURBOCHARGER GP S/N LJW2852-UP	3027438-P	1	
	SENSOR GP-PRESSURE	1946722-P	1	

## Air conditioning

	PRODUCT	PART NUMBER	QTY	
Accumulator	ACCUMULATOR-REFRIGERANT	1866189-P	1	
Compressor	COMPRESSOR GP-REFRIGERANT(AIR CONDITIONER)	4649988-P	1	
Dryer	DRYER AS	3200562-P	1	
	SWITCH AS-THERMOSTAT(HVAC)	3E5464-P	1	
	SWITCH AS-PRESSURE(AIR CONDITIONER)	1145333-P	1	

## Cab parts

	PRODUCT	PART NUMBER	QTY	
Fan	Filter Element-Cab Air(Cab Heater, Air Conditioner)	1491912-P	1	
Mirrors	Mirror AS(Heated, 24-VOLT)	3587902-P	1	
	MIRROR GP -EXTERIOR, HEATED	1442227-P	2	
	MIRROR GP -HEATED	2790467-P	1	
	MIRROR GP-REAR VIEW -HEATED	3000560-P	1	
	Mirror AS(Heated)(Upper)	3005512-P	1	
	Mirror AS-Convex(Cab, Front Access)	1531776-P	2	
Windows	Blade AS-Wiper(700-MM)(FRONT Window)	6V7419-P	1	
	Window-Front	2402284-P	1	

## Hydraulic

	PRODUCT	PART NUMBER	QTY	
Front Suspension	Bearing(Self Aligning)	5J9451-P	2	
Hoist Cylinder	Kit-Hyd Cylinder Seal	3365288-P	2	
Hydraulic pumps	"PUMP GP-GEAR S/N JRP2929-UP XMSN, TORQUE CONVERTER"	3689197-P	1	
	PUMP GP-GEAR S/N JRP2929-UP TC, CHARGING, SCAVENGE, PILOT	3689198-P	1	
	"PUMP GP-PISTON -STEERING S/N JRP1-2935"	2615630-P	1	
	"PUMP GP-GEAR -XMSN CHARGING, SCAVENGE S/N JRP1-UP"	2566125-P	1	
	"PUMP GP-GEAR -HOIST, BRK CHARGE, BRK COOLING S/N JRP1-UP"	2555478-P	1	
	Rear Suspension	Bearing-Spherical	8J8906-P	4
Steering Cylinder	Stud AS (Ball)	3844562-P	6	

## Partinium® program

### Power Train and braking system

	PRODUCT	PART NUMBER	QTY
Axle	BEARING	7J3297-P	2
	BEARING-SPHERICAL	6V0444-P	1
	PIN	7D3009-P	2
Differential	BEARING AS-ROLLER	4D7534-P	4
	KIT-DIFFERENTIAL BEARING	1560140-P	1
	CONE-BEARING(TAPERED ROLLER)	9M2744-P	1
	CONE-BEARING(TAPERED ROLLER)	2D9457-P	1
	CONE-BEARING	5D7453-P	1
	CONE-BEARING	1B6577-P	1
	CUP-BEARING(TAPERED ROLLER)	1M6573-P	1
	CUP-BEARING(TAPERED ROLLER)	4F2041-P	1
	CUP-BEARING	2J2152-P	1
	CUP-BEARING	5D7449-P	1
Front wheel station (dry)	KIT-FINAL DRIVE BEARING	4814601-P	1
	CONE-BEARING	6V2702-P	2
	CONE-BEARING	2P8988-P	2
	CUP-BEARING	2P8989-P	2
	CUP-BEARING	2J7137-P	2
	LINING AS-BRAKE(OUTBOARD)	1149297-P	2
	LINING AS-BRAKE(INBOARD)	1149299-P	2
	PISTON	1149306-P	12
	SEAL GP-DUO-CONE	9G5321-P	2
	KIT-SEAL(CALIPER BRAKE)	1149305-P	2
Rear wheel station	CONE-BEARING	6V2702-P	2
	CONE-BEARING	2P8988-P	2
	CUP-BEARING	2P8989-P	2
	CUP-BEARING	2J7137-P	2
	DISC-FRICTION(EXTENDED LIFE)	2210775-P	24
	BEARING-INNER	8E7945-P	12
	CONE-BEARING	2125024-P	2
	CONE-BEARING	5P1948-P	2
	CUP-BEARING	1200295-P	2
	CUP-BEARING	5P1949-P	2
Shaft line	DAMPER AS	7D3013-P	4
	DISC-FRICTION	9W7017-P	30
	DISC-FRICTION(EXTENDED LIFE)	1967866-P	6
Transfer converter	PLATE-OUTER	1639366-P	28
	SLIP JOINT GP	1725232-P	1
	UNIVERSAL JOINT AS	1725235-P	2
Transfer group	SPIDER & BEARING GP(SLIP JOINT)	1060933-P	2
	BALL BEARING	8M2031-P	1
	BALL BEARING	3L1824-P	1
Transmission	KIT-TORQUE CONVERTER BEARING KIT	4518947-P	1
	KIT-TORQUE CONVERTER GASKET KIT	3479020-P	1
	CONE-BEARING	3F3049-P	3
	CUP-BEARING(TAPERED ROLLER)	6B3223-P	3
	CUP-BEARING(TAPERED ROLLER)	0300060-P	1
	BALL BEARING	8S3517-P	1
	BEARING	1143392-P	1
	BALL BEARING	8H9789-P	1
	DISC AS-FRICTION	9P7390-P	3
	DISC-FRICTION	1028671-P	3
Transmission	DISC-FRICTION	6Y7219-P	9
	DISC-FRICTION	4430663-P	3
	DISC-FRICTION	1697055-P	4
	KIT-TRANSMISSION BEARING KIT	4472962-P	1
	KIT-TRANSMISSION OVERHAUL GASKET KIT	4417010-P	1
	PLATE-CLUTCH	8P2051-P	2
	PLATE-CLUTCH	3P7447-P	2
	PLATE-CLUTCH	3T3065-P	2
	RACE-BEARING OUTER	5P5044-P	1



Engines are bench test twice to insurance optimal quality



## COMPONENTS

Rebuild Program



All transmissions are dyno tested before shipping.



### Engine

Ref	Rebuilt kit 1550537-REBK	Component		
		Outright 1550537-OUT	Rebuild 1550537-REB	Exchange 1550537-PEX
<b>Parts replaced systematically :</b>				
Complete reman cylinder heads	●	●	●	●
Complete reman cylinder packs	●	●	●	●
Oil pump	●	●	●	●
Turbochargers	●	●	●	●
All injectors	●	●	●	●
Water pumps, coolant hoses	●	●	●	●
Engine harness and sensors	●	●	●	●
Alternator and starting motor	●	●	●	●
Camshafts	●	●	●	●
ECM	●	●	●	●
All seals, bearings and bushings	●	●	●	●
Breathers and filters	●	●	●	●
Exhaust bolts, spacers and sleeves	●	●	●	●
Belt, pulleys and tensioner	●	●	●	●
Water temperature regulator	●	●	●	●
All rocker arms	●	●	●	●
Hoses	●	●	●	●
Oil cooler Engine and transmission	●	●	●	●
Fuel pump	●	●	●	●
Air conditioning compressor	●	●	●	●
Engine block*		●	●	●
Front and rear Housing*		●	●	●
Pan oil*		●	●	●
Crankshaft*		●	●	●
Exhaust and intake manifolds*		●	●	●
Timing gears*		●	●	●
Flywheel*		●	●	●
Core return			●	●
Limited downtime		●		●

### Transmission

Ref	Rebuilt kit 8E9035-REBK	Component		
		Outright 8E9035-OUT	Rebuild 8E9035-REB	Exchange 8E9035-PEX
<b>Parts replaced systematically :</b>				
All seals	●	●	●	●
All bearings	●	●	●	●
Valves	●	●	●	●
Shim packs	●	●	●	●
All friction discs and plates	●	●	●	●
All clutch springs	●	●	●	●
Lubrication tubes	●	●	●	●
Sensors	●	●	●	●
Plugs and nipples	●	●	●	●
Springs	●	●	●	●
Harness	●	●	●	●
Solenoids	●	●	●	●
Gears		●	●	●
Housings		●	●	●
Piston		●	●	●
Core return			●	●
Limited downtime		●		●



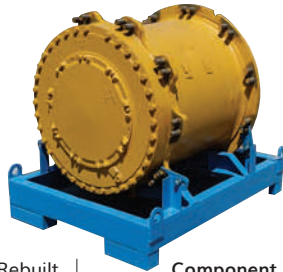
## Torque converter

Ref	Rebuilt kit	Component		
		Outright	Rebuild	Exchange
8E8999-REBK	8E8999-OUT	8E8999-REB	8E8999-PEX	
<b>Parts replaced systematically :</b>				
All seals and all bearings	●	●	●	●
Valve wear Parts : springs, sleeves, seals	●	●	●	●
Pump	●	●	●	●
Lock up discs and plate	●	●	●	●
Sensors and coils	●	●	●	●
Impeller, turbine and stator	●	●	●	●
Housing*		●	●	●
Clutch Piston*		●	●	●
Shafts*		●	●	●
Gears*		●	●	●
Core return			●	●
Limited downtime		●		●



## Differential

Ref	Rebuilt kit	Component		
		Outright	Rebuild	Exchange
1049410-REBK	1049410-OUT	1049410-REB	1049410-PEX	
<b>Parts replaced systematically :</b>				
All seals and all bearings	●	●	●	●
Internal bolts, nuts washer and dowels	●	●	●	●
Spider	●	●	●	●
Retainer	●	●	●	●
Gear support washer	●	●	●	●
Bevel gear	●	●	●	●
Gears, pinions*		●	●	●
Carrier AS - Differential*		●	●	●
Core return			●	●
Limited downtime		●		●



## Rear Wheel Station

Ref	Rebuilt kit	Component		
		Outright	Rebuild	Exchange
1268347-REBK	1268347-OUT	1268347-REB	1268347-PEX	
<b>Parts replaced systematically :</b>				
All seals and all bearings	●	●	●	●
All brake springs	●	●	●	●
All friction discs and plates	●	●	●	●
All stud, nuts & washer	●	●	●	●
Shafts	●	●	●	●
Seal GP - Duo-cone	●	●	●	●
Housing and hub*		●	●	●
Gears*		●	●	●
Wheel spindle*		●	●	●
Carriers*		●	●	●
Brake piston*		●	●	●
Core return			●	●
Limited downtime		●		●



## Front Wheel station hydraulic brake

Ref	Rebuilt kit	Component		
		Outright	Rebuild	Exchange
2435549-REBK	2435549-OUT	2435549-REB	2435549-PEX	
<b>Parts replaced systematically :</b>				
All seals and all bearings	●	●	●	●
All brake springs	●	●	●	●
Friction, plate and damper discs	●	●	●	●
Studs, nuts and washers	●	●	●	●
Pin springs	●	●	●	●
Seal GP - Duo-cone	●	●	●	●
Housing*		●	●	●
Wheel spindle*		●	●	●
Brake piston*		●	●	●
Core return			●	●
Limited downtime		●		●

## Rear Suspension

Ref	Rebuilt kit	Component		
		Outright	Rebuild	Exchange
3356354-REBK	3356354-OUT	3356354-REB	3356354-PEX	
<b>Parts replaced systematically :</b>				
All seals	●	●	●	●
Spherical bearings	●	●	●	●
Valve	●	●	●	●
Reman rod	●	●	●	●
Cylinder tube*		●	●	●
Core return			●	●
Limited downtime		●		●



## Front Suspension

Ref	Rebuilt kit	Component		
		Outright	Rebuild	Exchange
3356352-REBK	3356352-OUT	3356352-REB	3356352-PEX	
<b>Parts replaced systematically :</b>				
All seals	●	●	●	●
Fittings	●	●	●	●
Reman rod	●	●	●	●
Housing*		●	●	●
Core return			●	●
Limited downtime		●		●

\*Parts inspected and charged additionally if they don't meet CAT Specifications :

## Partinium® program



## Electrical Parts

	PRODUCT	PART NUMBER	QTY
	ALTERNATOR GP-CHARGINGS/N AGC1-UP24-VOLT, 95-AMPERE	2267683-P	1
	Alternator GP-Charging(24-VOLT, 145-AMPERE)	3524700-P	1
	ALTERNATOR GP-CHARGINGS/N 2GR1986-UP24-VOLT, 95-AMPERE	1978820-P	1
	LTERNATOR GP-CHARGINGS/N 2GR1986-UP24-VOLT, 105-AMPERE	3167251-P	1
	BATTERY GPS/N AGC1404-UP	1535710-P	4
	Battery GP (12-VOLT) S/N AGC1-1403	9X9730-P	4
	STARTING MOTOR GP-AIRS/N AGC1-UP	7C3372-P	1
	STARTING MOTOR GP-ELECTRIC -COLD WEATHERS/N 2GR1986-UP; C8T100-UP	3383456-P	2
	Motor GP-Electric(24-VOLT)(SEC Steering, Brake Release)	3473554-P	2

## Engine Parts

	PRODUCT	PART NUMBER	QTY
	BELT-SERPENTINE(ALTERNATOR)	1417116-P	1
	V-BELT SET -INCLUDES 4-BELTSS/N AGC1-UP	8N6710-P	1
	KIT-CARTRIDGE(REPLACEMENT)(AIR DRYER)	2G7182-P	1
	TURBOCHARGER GPS/N 2GR4810-UP"	2395045-P	2
	Accumulator-Refrigerant	1866189-P	1
	Accumulator-Refrigerant	2745909-P	1
	COMPRESSOR GP-REFRIGERANTS/N AGC966-UP"	1984564-P	1
	Compressor GP-Refrigerant(Air Conditioner)	4649988-P	1
	COMPRESSOR GP-REFRIGERANTS/N AGC1284-UP"	3E1906-P	1
	Condenser AS	7W8126-P	1
	Dryer AS-Refrigerant(In-Line)	3E3535-P	1

## Cab parts

	PRODUCT	PART NUMBER	QTY
	MIRROR GP -EXTERIOR, HEATEDS/N AGC1-UPTWO POINT MOUNT	1442227-P	1
	MIRROR AS	8T2287-P	1
	MIRROR-CONVEX	1531776-P	1
	GLASS(CAB FRONT WINDOW)	1068289-P	1
	"MOTOR GP-WINDOW WIPER -FRONTS/N AGC1-UP24-VOLT, COMPACT DRIVE	1477975-P	1
	PUMP AS-WASHER(24-VOLT)	4160021-P	1

## Hydraulic

	PRODUCT	PART NUMBER	QTY
	BEARING AS-ROLLER	7S8576-P	1
	CONE-BEARING	7L3290-P	2
	CONE-BEARING	9S3582-P	2
	CUP-BEARING	7L4434-P	2
	CUP-BEARING	9S3581-P	2
	BEARING(SELF ALIGNING)	5J9451-P	2
	PUMP GP-GEAR -FRONT OIL COOLED BRAKES/N AGC1-UP	8E3882-P	1
	PUMP GP-GEAR -TORQUE CONVERTER CHARGING, SCAVENGE, PARKING BRAKE RELEASE	3T8098-P	1
	PUMP GP-GEAR -TRANSMISSION CHARGING & SCAVENGE	9W9310-P	1
	PUMP GP-GEAR -HOISTS/N AGC1404-UP	2307132-P	1
	PUMP GP-PISTONS/N AGC1-UP	2191965-P	1
	BEARING-SPHERICAL	8J8906-P	4
	RACE(SPHERICAL)	2749256-P	6



### Power Train and braking system

Product	Part number	Qty
BEARING	7J3297-P	2
BEARING-SPHERICAL	6V0444-P	1
PIN	7D3009-P	2
BEARING AS-ROLLER	4D7534-P	4
KIT-DIFFERENTIAL BEARING	1560140-P	1
CONE-BEARING	2P8988-P	2
CONE-BEARING	6V2702-P	2
CUP-BEARING	2J7137-P	2
CUP-BEARING	2P8989-P	2
LINING AS-BRAKE	1149297-P	2
LINING AS-BRAKE	1149299-P	2
PISTON	1149306-P	12
RIM GPS/N AGC1-UP	1432135-P	2
SEAL GP-DUO-CONE	9G5321-P	2
KIT-SEAL (CALIPER BRAKE)	1149305-P	2
BALL BEARING	8M2031-P	1
BALL BEARING	3L1824-P	1
CONE-BEARING	3F3049-P	3
CUP-BEARING	6B3223-P	3
CUP-BEARING (TAPERED ROLLER)	0300060-P	1
CONE-BEARING	2P8988-P	2
CONE-BEARING	6V2702-P	2
CUP-BEARING	2J7137-P	2
DAMPER AS	8X4435-P	2
DISC-FRICTION(EXTENDED LIFE)	2210775-P	24
PLATE	8X4437-P	24
SEAL GP-DUO-CONE	2979546-P	2
SEAL GP-DUO-CONE	3144122-P	2
SEAL GP-DUO-CONE	3854572-P	2
BEARING-INNER	8E7945-P	12
CONE-BEARING	2125024-P	2
CONE-BEARING	5P1948-P	2
CONE-BEARING	1069822-P	1
CUP-BEARING	9D0994-P	2
CUP-BEARING	1200295-P	2
CUP-BEARING	5P1949-P	2
DAMPER AS	7D3013-P	4
DISC-FRICTION	9W7017-P	30
DISC-FRICTION(EXTENDED LIFE)	1967866-P	30
PISTON AS	9V3222-P	2
KIT-PISTON	9V3225-P	1
PLATE-OUTER	1639366-P	28
RIM GPS/N AGC1-UP	1432135-P	4
SEAL GP-DUO-CONE	3418543-P	2
SEAL GP-DUO-CONE	3654922-P	2
SEAL GP-DUO-CONE	3144120-P	2
SEAL GP-DUO-CONE	3854572-P	2
SLIP JOINT GPS/N AGC1-UP	1725232-P	1
UNIVERSAL JOINT AS	1725235-P	2
SPIDER & BEARING GP(SLIP JOINT)	1060933-P	2
BALL BEARING	8S3517-P	1
BEARING	1143392-P	1
KIT-TRANSMISSION BEARINGS/N AGC1-UP	4472962-P	1
RACE-BEARING OUTER	5P5044-P	1

CATERPILLAR®  
 777E  
 777D  
 777G  
 777E  
 785C  
 785C  
 789D  
 789D  
 793D  
 793D  
 745C  
 09R  
 010T  
 6015B  
 6020B  
 336D  
 336D  
 330F  
 966H  
 988H  
 988H  
 988H  
 992K  
 14M  
 14H  
 16M

## Partinium® program



## Electrical Parts

	PRODUCT	PART NUMBER	QTY
Alternator	Alternator GP-Charging (24-VOLT, 145-AMPERE)	3524700-P	1
	STARTING MOTOR GP-ELECTRIC -COLD WEATHER S/N 2GR1-UP; C8T139-UP 24-VOLT	3383456-P	2
Starting motor	Motor GP-Electric(24-VOLT)(SECONDARY Steering)	3473554-P	2
	STARTING MOTOR GP-ELECTRIC S/N 3PR91001-UP 24-VOLT	3496536-P	1
	STARTING MOTOR GP-AIRS/N 3PR1-UP	7C3372-P	1

## Engine Parts

	PRODUCT	PART NUMBER	QTY
Bearings	BALL BEARING	1T0210-P	2
Belts, tensionners and pulleys	BELT TENSIONER	3298797-P	1
	V-BELT SET -INCLUDES 4-BELTSS/N 3PR91001-UP	8N6710-P	1

## Air conditioning

	PRODUCT	PART NUMBER	QTY
Accumulator	ACCUMULATOR-REFRIGERANT	1866189-P	1
	ACCUMULATOR-REFRIGERANT	2745909-P	1
Blower	MOTOR AS-BLOWER(24-VOLT)	2756706-P	1
	COMPRESSOR GP-REFRIGERANTS/N 3PR1-UP	1984564-P	1
Compressor	COMPRESSOR GP-REFRIGERANTS/N 3PR1-UP	3E1906-P	1
	COMPRESSOR GP-REFRIGERANTS/N 3PR1-UP	4720559-P	1
	CONDENSER AS	7W8126-P	1
Dryer	DRYER AS-REFRIGERANT (IN-LINE)	2573226-P	1

## Cab parts

	PRODUCT	PART NUMBER	QTY
	GLASS(CAB FRONT WINDOW)	1068289-P	1
	MIRROR AS	8T2287-P	1
	MIRROR GP -EXTERIOR, HEATED, RHS/N KDP1-UP	1442227-P	1
	Mirror AS-Convex	1531776-P	1
	Bearing-Spherical	8J8906-P	1
	Bearing(Self Aligning)	5J9451-P	2
	SUSPENSION GP-FRONT/N KDP1-UP	3356352-P	1
	Pump AS-Washer(24-VOLT)	4160021-P	1
	MOTOR GP-WINDOW WIPERS/N KDP1-UP	1477975-P	1

## Hydraulic

	PRODUCT	PART NUMBER	QTY	
	KIT-HYD CYLINDER SEAL	3365288-P	1	
	CYLINDER GP-HOIST -TELESCOPINGS/N KDP1-UP	1711232-P	1	
	PUMP GP-GEAR	2307132-P	1	
	PUMP GP-GEAR -BRK RELEASE, TC CHG, SCAVENGES/N KDP1-UPSECTION THREE	3T8098-P	1	
	CONE-BEARING	7L3290-P	2	
	CUP-BEARING	7L4434-P	2	
	BEARING AS-ROLLER	7S8576-P	1	
	CUP-BEARING	9S3581-P	2	
	CONE-BEARING	9S3582-P	2	
	PUMP GP-GEAR -TRANSMISSION CHARGE, SCAVENGES/N KDP1-UPSEC- TION TWO	9W9310-P	1	
	BUSHIN	5M3320-P	2	
	PUMP GP-PISTONS/N KDP1-UP	2191965-P	1	



## Power Train and braking system

	Product	Part number	Qty
Axle	BEARING-SPHERICAL	6V0444-P	1
	BEARING	7J3297-P	2
Braking system	VALVE GP-BRAKE(AIR CONTROL)	1400212-P	1
Differential	KIT-DIFFERENTIAL BEARINGS/N 3PR1-UP	1560140-P	1
Front wheel station (dry)	LINING AS-BRAKE(OUTBOARD)	1149297-P	2
	LINING AS-BRAKE(INBOARD)	1149299-P	2
	KIT-SEAL(CALIPER BRAKE)	1149305-P	2
	PISTON	1149306-P	12
	KIT-CARTRIDGE(REPLACEMENT)(AIR DRYER)	2G7182-P	1
	RIM GPS/N 3PR1-UP	1432135-P	2
Front wheel station (wet)	CUP-BEARING	2J7137-P	2
	CONE-BEARING	2P8988-P	2
	CUP	2P8989-P	2
	DISC-FRICTION(EXTENDED LIFE)	2210775-P	24
	SEAL GP-DUO-CONE	2979546-P	2
	SEAL GP-DUO-CONE	3144122-P	2
	SEAL GP-DUO-CONE	3854572-P	2
	CONE-BEARING	6V2702-P	2
	DAMPER AS	8X4435-P	2
	PLATE	8X4437-P	24
	SEAL GP-DUO-CONE	9G5321-P	2
Rear wheel station	CUP-BEARING	1200295-P	2
	PLATE-OUTER	1639366-P	28
	DISC-FRICTION(EXTENDED LIFE)	1967866-P	30
	CONE-BEARING	2125024-P	2
	SEAL GP-DUO-CONE	3144120-P	2
	SEAL GP-DUO-CONE	3418543-P	2
	SEAL GP-DUO-CONE	3654922-P	2
	CONE-BEARING	5P1948-P	2
	CUP-BEARING	5P1949-P	2
	DAMPER AS	7D3013-P	4
	BEARING-INNER	8E7945-P	12
Shaft line	DISC-FRICTION	9W7017-P	30
	SPIDER & BEARING GP	1060933-P	2
	SLIP JOINT GPS/N 3PR314-UP	1725232-P	1
	UNIVERSAL JOINT AS	1725235-P	2
Torque converter	BALL BEARING	3L1824-P	1
	BALL BEARING	8M2031-P	1
Transfer group	CUP-BEARING(TAPERED ROLLER)	0300060-P	
	CONE-BEARING	3F3049-P	3
	CUP-BEARING	6B3223-P	3
Transmission	BEARING	1143392-P	1
	KIT-TRANSMISSION BEARINGS/N 3PR1-UP	4472962-P	1
	RACE-BEARING OUTER	5P5044-P	1
	BALL BEARING	8S3517-P	1

## Partinium® program



## Electrical Parts

	PRODUCT	PART NUMBER	QTY
Parts	ALTERNATOR GP-CHARGINGS/N FKR1-UP24-VOLT, 95-AMPERE	2267683-P	1
	ALTERNATOR GP-CHARGING (24-VOLT, 145-AMPERE)	3524700-P	1
	BATTERY GPS/N AGC1404-UP	1535710-P	4
	BATTERY GP (12-VOLT) S/N FKR1-1403	9X9730-P	4
	STARTING MOTOR GP-ELECTRIC -COLD WEATHERS/N 2GR1-UP; C8T139-UP24-VOLT	3383456-P	2
	MOTOR GP-ELECTRIC (24-VOLT)(SECONDARY STEERING)	3473554-P	2
	STARTING MOTOR GP-ELECTRIC S/N 3PR91001-UP 24-VOLT	3496536-P	1
	STARTING MOTOR GP-AIRS/N FKR1-UP	7C3372-P	1

## Engine Parts

	PRODUCT	PART NUMBER	QTY
	BALL BEARING	1T0210-P	2
	BELT TENSIONER	3298797-P	1
	V-BELT SET -INCLUDES 4-BELTSS/N 3PR91001-UP Seal-Crankshaft (Front)	8N6710-P	1
	TURBOCHARGER GPS/N LJW1-UP	1425867-P	1
	TURBOCHARGER GPS/N FKR1-UP; LJW1-UP	3320045-P	1
	TURBOCHARGER GPS/N FKR1-UP; LJW1-UP	3320046-P	1
	V-BELT SET -INCLUDES 4-BELTSS/N 3PR91001-UP	8N6710-P	1

## Air conditioning

	PRODUCT	PART NUMBER	QTY
	ACCUMULATOR-REFRIGERANT	1866189-P	1
	ACCUMULATOR-REFRIGERANT	2745909-P	1
	MOTOR AS-BLOWER(24-VOLT)	2756706-P	1
	COMPRESSOR GP-REFRIGERANTS/N FKR1-UP	1984564-P	1
	COMPRESSOR GP-REFRIGERANTS/N FKR1-UP	3E1906-P	1
	COMPRESSOR GP-REFRIGERANTS/N FKR1-UP	4720559-P	1
	COMPRESSOR GP-REFRIGERANTS/N FKR1-UP	3201291-P	1
	CONDENSER AS	7W8126-P	1
	DRYER AS-REFRIGERANT (IN-LINE)	2573226-P	1
	DRYER AS-REFRIGERANT (IN-LINE)	3E3535-P	1

## Cab parts

	PRODUCT	PART NUMBER	QTY
	MIRROR AS	8T2287-P	1
	GLASS(CAB FRONT WINDOW)	1068289-P	1
	MOTOR GP-WINDOW WIPERS/N FKR1-UP	1477975-P	1
	PUMP AS-WASHER (24-VOLT)	4160021-P	1

## Hydraulic

	PRODUCT	PART NUMBER	QTY
	BEARING AS-ROLLER	7S8576-P	1
	CONE-BEARING	7L3290-P	2
	CONE-BEARING	9S3582-P	2
	CUP-BEARING	7L4434-P	2
	CUP-BEARING	9S3581-P	2
	SUSPENSION GP-FRONT/N FKR1-UP	3356352-P	1
	BEARING(SELF ALIGNING)	5J9451-P	2
	PUMP GP-GEAR(BRK RELEASE, TC CHG, SCAVENGE)	3T8098-P	1
	PUMP GP-GEARS/N FKR1-UPSECTION ONE	8E3882-P	1
	PUMP GP-GEAR -HOISTS/N FKR1-UP	2307132-P	1
	PUMP GP-GEAR -TRANSMISSION CHARGE, SCAVENGES/N FKR1-UPSECTION TWO	9W9310-P	1
	BEARING-SPHERICAL	8J8906-P	4
	STUD AS(BALL)	3844562-P	1
	PUMP GP-PISTON -STEERINGS/N FKR1-UP	2191965-P	1
	RACE(SPHERICAL)	2749256-P	6

### Power Train and braking system

Product	Part number	Qty
KIT-DIFFERENTIAL BEARINGS/N FKR1-UP	1560140-P	1
LINING AS-BRAKE	1149297-P	2
LINING AS-BRAKE	1149299-P	2
PISTON	1149306-P	12
KIT-SEAL (CALIPER BRAKE)	1149305-P	2
CONE-BEARING	2P8988-P	2
CONE-BEARING	6V2702-P	2
CUP-BEARING	2J7137-P	2
CUP-BEARING	2P8989-P	2
DAMPER AS	8X4435-P	2
RIM GPS/N FKR1-UP	1432135-P	2
SEAL GP-DUO-CONE	3854572-P	2
SEAL GP-DUO-CONE	2979546-P	2
SEAL GP-DUO-CONE	3144122-P	2
SEAL GP-DUO-CONE	9G5321-P	2
BEARING-INNER	8E7945-P	12
CONE-BEARING	2125024-P	2
CONE-BEARING	5P1948-P	2
CUP-BEARING	1200295-P	2
CUP-BEARING	5P1949-P	2
DAMPER AS	7D3013-P	4
DISC-FRICTION	9W7017-P	30
DISC-FRICTION(EXTENDED LIFE)	1967866-P	30
PLATE-OUTER	1639366-P	28
SEAL GP-DUO-CONE	3418543-P	2
SEAL GP-DUO-CONE	3654922-P	2
SLIP JOINT GPS/N FKR1-UP	1725232-P	1
UNIVERSAL JOINT AS	1725235-P	2
SPIDER & BEARING GP(SLIP JOINT)	1060933-P	2
BALL BEARING	3L1824-P	1
BALL BEARING	8M2031-P	1
CONE-BEARING	3F3049-P	3
CUP-BEARING	6B3223-P	3
KIT-TRANSMISSION BEARING KIT	4472962-P	1
RACE-BEARING OUTER	5P5044-P	1
BALL BEARING	8S3517-P	1

## Partinium® program



## Electrical Parts

	PRODUCT	PART NUMBER	QTY
Parts	ALARM GPS/N TNM1098-UP	3701485-P	1
	ALTERNATOR GP-CHARGINGS/N TNM1-UP24-VOLT, 115-AMPERE	3445081-P	1
	BATTERY GP(12-VOLT, MAINTENANCE FREE, WET)	1535710-P	4
	HARNES AS-VALVE (SEAT AIR COMPRESSOR)	1927805-P	1
	STARTING MOTOR GP-ELECTRICS/N TNM1-199924-VOLT	3383454-P	1
	MOTOR GP-ELECTRIC (24-VOLT)(SECONDARY STEERING)	3473554-P	2
	STARTING MOTOR GP-ELECTRIC S/N 3PR91001-UP 24-VOLT	3496536-P	1
	STARTING MOTOR GP-AIRS/N FKR1-UP	7C3372-P	1

## Engine Parts

	PRODUCT	PART NUMBER	QTY
	BALL BEARING	1T0210-P	2
	V-BELT SET(INCLUDES 4-BELTS)	8N6710-P	1
	SEAL-CRANKSHAFT(FRONT)	1425867-P	1
	SEAL-CRANKSHAFT (FRONT)	1425867-P	1
	TURBOCHARGER GPS/N LJW1-UP	3320045-P	1
	TURBOCHARGER GPS/N FKR1-UP; LJW1-UP	3320046-P	1
	V-BELT SET -INCLUDES 4-BELTSS/N 3PR91001-UP	8N6710-P	1

## Air conditioning

	PRODUCT	PART NUMBER	QTY
	DRYER AS-REFRIGERANT(IN-LINE)	3200562-P	1
	COMPRESSOR GP-REFRIGERANTS/N TNM1-1037	3201291-P	1

## Cab parts

	PRODUCT	PART NUMBER	QTY
	SUSPENSION GP-FRONT/N TNM1-UP	3356352-P	2
	MIRROR GP -EXTERIOR, HEATEDS/N TNM1-UPTWO POINT MOUNT	1442227-P	2
	MIRROR GP-REAR VIEW (HEATED)	2219264-P	1
	MIRROR AS-CONVEX	1531776-P	1
	BEARING-SPHERICAL	8J8906-P	2
	WINDOW-FRONT	2402284-P	1

## Hydraulic

	PRODUCT	PART NUMBER	QTY
	KIT-HYD CYLINDER SEAL	3365288-P	1
	CYLINDER GP-HOIST -TELESCOPINGS/N TNM1-UP	2960608-P	1
	PUMP GP-GEAR -BRAKE, BRAKE COOLING, HOISTS/N TNM1-867	3750678-P	1
	PUMP GP-PISTON -STEERINGS/N TNM1-UP	2615630-P	1
	PUMP GP-GEAR -BRAKE, HOISTS/N TNM868-UP	4559312-P	1
	STUD AS (BALL)	3844562-P	4
	RING-BACKUP	4J9224-P	1
	RING-WEAR	7J9885-P	1
	8T5668-P	8T5668-P	1

### Power Train and braking system

	Product	Part number	Qty
	CONE-BEARING	1B6577-P	1
	CUP-BEARING(TAPERED ROLLER)	1M6573-P	1
		2D6506-P	1
	CONE-BEARING (TAPERED ROLLER)	2D9457-P	1
	CUP-BEARING	2J2152-P	1
	BEARING AS-ROLLER	4D7534-P	4
	CUP-BEARING(TAPERED ROLLER)	4F2041-P	1
	CUP-BEARING	5D7449-P	1
	CONE-BEARING	5D7453-P	1
	CONE-BEARING(TAPERED ROLLER)	9M2744-P	1
	BEARING-INNER	8E7945-P	6
	BEARING(SELF ALIGNING)	5J9451-P	2
	Seal GP-Duo-Cone	3144128-P	2
	Seal GP-Duo-Cone	3654920-P	2
	Cup-Bearing	1200295-P	2
	Cone-Bearing	2125024-P	2
	Cone-Bearing	5P1948-P	1
	Cup-Bearing	5P1949-P	1
	DAMPER AS	3791820-P	4
	Disc-Friction	3832734-P	15
	PLATE	3791822-P	28
	Stud-Taperlock	2965175-P	5
	Disc-Friction	3832735-P	30
	SLIP JOINT GP	1725232-P	1
	Spider & Bearing GP	1060933-P	2
	Universal Joint AS	1725235-P	2
	Ball Bearing	8S3517-P	1
	Race-Bearing Outer	5P5044-P	1
	Bearing	1143392-P	1
	RIM GP	1432135-P	6
	RACE-BEARING OUTER	5P5044-P	1
	SEAL GP-DUO-CONE	3144122-P	1
	CUP-BEARING	2P8989-P	1
	CONE-BEARING	6V2702-P	1
	CUP-BEARING	2J7137-P	1
	CONE-BEARING	2P8988-P	1
	PIN	7D3009-P	1
	BEARING	7J3297-P	2
	BEARING-SPHERICAL	6V0444-P	1

# Partinium® program



## Electrical Parts

	PRODUCT	PART NUMBER	QTY
	ALTERNATOR GP-CHARGING (24-VOLT, 145-AMPERE)	3524700-P	1
	BATTERY GP(12-VOLT, MAINTENANCE FREE, WET)	1535710-P	4
	MOTOR GP-ELEC HYD PUMPS/N KDP1-UP24-VOLT	3473554-P	1
	STARTING MOTOR GP-ELECTRIC(24-VOLT)(LH)	3496530-P	1
	STARTING MOTOR GP-ELECTRIC(24-VOLT)(RH)	3496536-P	1

## Engine Parts

	PRODUCT	PART NUMBER	QTY
	V-BELT SET -INCLUDES 4-BELTSS/N KDP1-UP	8N6710-P	1
	BELT TENSIONER	3298797-P	1
	TURBOCHARGER GP	3320045-P	1
	TURBOCHARGER GP	3320046-P	1

## Air conditioning

	PRODUCT	PART NUMBER	QTY
	ACCUMULATOR-REFRIGERANT	2745909-P	1
	MOTOR AS-BLOWER (24-VOLT)	2756706-P	1
	COMPRESSOR GP-REFRIGERANTS/N KDP1-UP	4720559-P	1
	DRYER AS-REFRIGERANT(IN-LINE)	2573226-P	1

## Cab parts

	PRODUCT	PART NUMBER	QTY
	GLASS(CAB FRONT WINDOW)	1068289-P	1
	MIRROR AS	8T2287-P	1
	MIRROR GP -EXTERIOR, HEATED, RHS/N KDP1-UP	1442227-P	1
	MIRROR AS-CONVEX	1531776-P	1
	BEARING-SPHERICAL	8J8906-P	1
	BEARING(SELF ALIGNING)	5J9451-P	2
	SUSPENSION GP-FRONT/N KDP1-UP	3356352-P	1
	PUMP AS-WASHER(24-VOLT)	4160021-P	1
	MOTOR GP-WINDOW WIPERS/N KDP1-UP	1477975-P	1

## Hydraulic

	PRODUCT	PART NUMBER	QTY
	KIT-HYD CYLINDER SEAL	3365288-P	1
	CYLINDER GP-HOIST -TELESCOPINGS/N TNM1-UP	2960608-P	1
	PUMP GP-GEAR -BRAKE, BRAKE COOLING, HOISTS/N TNM1-867	3750678-P	1
	PUMP GP-PISTON -STEERINGS/N TNM1-UP	2615630-P	1
	PUMP GP-GEAR -BRAKE, HOISTS/N TNM868-UP	4559312-P	1
	STUD AS (BALL)	3844562-P	4
	RING-BACKUP	4J9224-P	1
	RING-WEAR	7J9885-P	1
	8T5668-P	8T5668-P	1



### Power Train and braking system

Product	Part number	Qty
BEARING-SPHERICAL	6V0444-P	1
BEARING	7J3297-P	2
SEAL GP-DUO-CONE	3854572-P	2
LINING AS-BRAKE(OUTBOARD)	1149297-P	1
LINING AS-BRAKE(INBOARD)	1149299-P	1
PISTON	1149306-P	6
PLATE-OUTER	1639366-P	28
DAMPER AS	7D3013-P	8
DISC-FRICTION	9W7017-P	30
CONE-BEARING	1B6577-P	1
CUP-BEARING(TAPERED ROLLER)	1M6573-P	1
CONE-BEARING(TAPERED ROLLER)	2D9457-P	1
CUP-BEARING	2J2152-P	1
BEARING AS-ROLLER	4D7534-P	4
CUP-BEARING(TAPERED ROLLER)	4F2041-P	1
CUP-BEARING	5D7449-P	1
CONE-BEARING	5D7453-P	1
CONE-BEARING(TAPERED ROLLER)	9M2744-P	1
BEARING-INNER	8E7945-P	12
SEAL GP-DUO-CONE	9G5321-P	2
SEAL GP-DUO-CONE	3144122-P	2
CUP-BEARING	2P8989-P	2
PUMP GP-GEARS/N KDP1-UPSECTION ONE	8E3882-P	1
CONE-BEARING	5P1948-P	2
CUP-BEARING	5P1949-P	2
CUP-BEARING	1200295-P	2
CONE-BEARING	2125024-P	2
SLIP JOINT GP	1725232-P	1
SPIDER & BEARING GP(SLIP JOINT)	1060933-P	2
UNIVERSAL JOINT AS	1725235-P	2
RIM GP	1432135-P	6
CUP-BEARING	2J7137-P	2
CONE-BEARING	2P8988-P	2
CONE-BEARING	6V2702-P	2
KIT-CARTRIDGE(REPLACEMENT)(AIR DRYER)	2G7182-P	1
BEARING	7J3297-P	2
BEARING-SPHERICAL	6V0444-P	1



Engines are bench test twice to insurance optimal quality



## COMPONENTS

Rebuild Program



All transmissions are dyno tested before shipping.



### Engine

Ref	Rebuilt kit 3739862-REBK	Component		
		Outright 3739862-OUT	Rebuild 3739862-REB	Exchange 3739862-PEX
<b>Parts replaced systematically :</b>				
Complete reman cylinder heads	●	●	●	●
Complete reman cylinder packs	●	●	●	●
Oil pump	●	●	●	●
Turbochargers	●	●	●	●
All injectors	●	●	●	●
Water pumps, coolant hoses	●	●	●	●
Engine harness and sensors	●	●	●	●
Alternator and starting motor	●	●	●	●
Camshafts	●	●	●	●
ECM	●	●	●	●
All seals, bearings and bushings	●	●	●	●
Breathers and filters	●	●	●	●
Exhaust bolts, spacers and sleeves	●	●	●	●
Belt, pulleys and tensioner	●	●	●	●
Water temperature regulator	●	●	●	●
All rocker arms	●	●	●	●
Hoses	●	●	●	●
Oil cooler Engine and transmission	●	●	●	●
Fuel pump	●	●	●	●
Air conditioning compressor	●	●	●	●
Engine block*		●	●	●
Front and rear Housing*		●	●	●
Pan oil*		●	●	●
Crankshaft*		●	●	●
Exhaust and intake manifolds*		●	●	●
Timing gears*		●	●	●
Flywheel*		●	●	●
Core return			●	●
Limited downtime		●		●

### Transmission

Ref	Rebuilt kit 3T0034-REBK	Component		
		Outright 3T0034-OUT	Rebuild 3T0034-REB	Exchange 3T0034-PEX
<b>Parts replaced systematically :</b>				
All seals	●	●	●	●
All bearings	●	●	●	●
Valves	●	●	●	●
Shim packs	●	●	●	●
All friction discs and plates	●	●	●	●
All clutch springs	●	●	●	●
Lubrication tubes	●	●	●	●
Sensors	●	●	●	●
Plugs and nipples	●	●	●	●
Springs	●	●	●	●
Harness	●	●	●	●
Solenoids	●	●	●	●
Gears		●	●	●
Housings		●	●	●
Piston		●	●	●
Core return			●	●
Limited downtime		●		●

\*Parts inspected and charged additionally if they don't meet CAT Specifications :



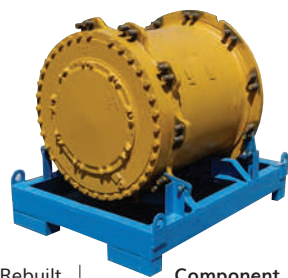
## Torque converter

Ref	Rebuilt kit	Component		
		Outright	Rebuild	Exchange
1173357-REBK	1173357-OUT	1173357-REB	1173357-PEX	
<b>Parts replaced systematically :</b>				
All seals and all bearings	●	●	●	●
Valve wear Parts : springs, sleeves, seals	●	●	●	●
Pump	●	●	●	●
Lock up discs and plate	●	●	●	●
Sensors and coils	●	●	●	●
Impeller, turbine and stator	●	●	●	●
Housing*		●	●	●
Clutch Piston*		●	●	●
Shafts*		●	●	●
Gears*		●	●	●
Core return			●	●
Limited downtime		●		●



## Differential

Ref	Rebuilt kit	Component		
		Outright	Rebuild	Exchange
1306634-REBK	1306634-OUT	1306634-REB	1306634-PEX	
<b>Parts replaced systematically :</b>				
All seals and all bearings	●	●	●	●
Internal bolts, nuts washer and dowels	●	●	●	●
Spider	●	●	●	●
Retainer	●	●	●	●
Gear support washer	●	●	●	●
Bevel gear	●	●	●	●
Gears, pinions*		●	●	●
Carrier AS - Differential*		●	●	●
Core return			●	●
Limited downtime		●		●



## Rear Wheel Station

Ref	Rebuilt kit	Component		
		Outright	Rebuild	Exchange
3178378-REBK	3178378-OUT	3178378-REB	3178378-PEX	
<b>Parts replaced systematically :</b>				
All seals and all bearings	●	●	●	●
All brake springs	●	●	●	●
All friction discs and plates	●	●	●	●
All stud, nuts & washer	●	●	●	●
Shafts	●	●	●	●
Seal GP - Duo-cone	●	●	●	●
Housing and hub*		●	●	●
Gears*		●	●	●
Wheel spindle*		●	●	●
Carriers*		●	●	●
Brake piston*		●	●	●
Core return			●	●
Limited downtime		●		●



## Front Wheel station hydraulic brake

Ref	Rebuilt kit	Component		
		Outright	Rebuild	Exchange
3099597-REBK	3099597-OUT	3099597-REB	3099597-PEX	
<b>Parts replaced systematically :</b>				
All seals and all bearings	●	●	●	●
All brake springs	●	●	●	●
Friction, plate and damper discs	●	●	●	●
Studs, nuts and washers	●	●	●	●
Pin springs	●	●	●	●
Seal GP - Duo-cone	●	●	●	●
Housing*		●	●	●
Wheel spindle*		●	●	●
Brake piston*		●	●	●
Core return			●	●
Limited downtime		●		●

## Rear Suspension

Ref	Rebuilt kit	Component		
		Outright	Rebuild	Exchange
4568724-REBK	4568724-OUT	4568724-REB	4568724-PEX	
<b>Parts replaced systematically :</b>				
All seals	●	●	●	●
Spherical bearings	●	●	●	●
Valve	●	●	●	●
Reman rod	●	●	●	●
Cylinder tube*		●	●	●
Core return			●	●
Limited downtime		●		●



## Front Suspension

Ref	Rebuilt kit	Component		
		Outright	Rebuild	Exchange
2971492-REBK	2971492-OUT	2971492-REB	2971492-PEX	
<b>Parts replaced systematically :</b>				
All seals	●	●	●	●
Fittings	●	●	●	●
Reman rod	●	●	●	●
Housing*		●	●	●
Core return			●	●
Limited downtime		●		●

\*Parts inspected and charged additionally if they don't meet CAT Specifications :

**Partinium® program**

## Electrical Parts

	PRODUCT	PART NUMBER	QTY
	ALTERNATOR GP-CHARGINGS/N 8BR605-UP24-VOLT, 95-AMPERE	1978820-P	1
	ALTERNATOR GP-CHARGINGS/N 8BR2153-UP24-VOLT, 105-AMPERE	3167251-P	1
	BATTERY GP(12-VOLT, MAINTENANCE FREE, WET)	1014000-P	4
	BATTERY GP (12-VOLT, MAINTENANCE FREE, WET)	1152422-P	2
	BATTERY AS (12-VOLT, MAINTENANCE FREE, WET)	1535720-P	4
	STARTING MOTOR GP-ELECTRIC -COLD WEATHERS/N	3383456-P	1
	APX1809-UP24-VOLT		
	STARTING MOTOR GP-AIRS/N APX1-UP	7C3372-P	1

## Engine Parts

	PRODUCT	PART NUMBER	QTY
	BELT-SERPENTINE(ALTERNATOR)	1417116-P	1
	GOVERNOR GP-AIR COMPRESSORS/N 8BR605-UP	4N9680-P	1
	CONE-BEARING	6Y7651-P	2
	CUP-BEARING(TAPERED ROLLER)	6Y7652-P	2
	TURBOCHARGER GPS/N 8BR605-3125	3052681-P	2

## Air conditioning

	PRODUCT	PART NUMBER	QTY
	COMPRESSOR GP-REFRIGERANTS/N 8BR605-2906	1984564-P	1
	COMPRESSOR GP-REFRIGERANTS/N 8BR2907-UP	3E1906-P	1

## Cab parts

	PRODUCT	PART NUMBER	QTY
	GLASS AS	2942775-P	1
	MOTOR GP-WINDOW WIPER -FRONTS/N APX1-UP24-VOLT, COMPACT DRIVE	1477975-P	1

## Hydraulic

	PRODUCT	PART NUMBER	QTY
	BEARING	6V3249-P	1
	BEARING	6G8209-P	2
	PUMP GP-GEAR -XMSN CHARGING, SCAVENGE, LUBES/N APX1-UP3-SECTION	3T0260-P	1
	PUMP GP-GEAR -HOIST, REAR BRAKE COOLINGS/N APX1-UP	2116626-P	1
	PUMP GP-GEAR -TC, PARKING BRAKE RELEASES/N APX1-UP	6T6147-P	1
	CONE-BEARING	7L3290-P	2
	CUP-BEARING	7L4434-P	2
	BEARING AS-ROLLER	7S8576-P	1
	CUP-BEARING	9S3581-P	2
	CONE-BEARING	9S3582-P	2
	BUSHING	5M3320-P	2
	BEARING	9U9558-P	1
	SOCKET AS(RH THREADS)	2A7218-P	1
	SOCKET AS(LH THREADS)	2A7219-P	1
	BEARING AS	6V7959-P	4
	STUD-BALL	8X9619-P	4

## Frame

	PRODUCT	PART NUMBER	QTY
	ACCUMULATOR-REFRIGERANT	1866189-P	1
	BEARING (SELF ALIGNING)	5J9451-P	2
	MIRROR AS	5P6877-P	1
	MIRROR AS	8T2287-P	1



## Partinium® program

### Electrical Parts

	PRODUCT	PART NUMBER	QTY	
	ALTERNATOR GP-CHARGINGS/N 8WM1-UP24-VOLT, 95-AMPERE"	1978820-P	1	
	BATTERY GP -COLD WEATHERS/N 2BW1101-UP12-VOLT, MAINTENANCE FREE, DRY	1152421-P	1	
	STARTING MOTOR GP-AIRSTARTING MOTOR GP-AIRS/N 2BW1-UP	7C3372-P	1	

### Engine Parts

	PRODUCT	PART NUMBER	QTY	
	CONE-BEARING	6Y7651-P	2	
	CUP-BEARING(TAPERED ROLLER)	6Y7652-P	2	

### Air conditioning

	PRODUCT	PART NUMBER	QTY	
	ACCUMULATOR-REFRIGERANT	1866189-P	1	
	DESICCANT	1900760-P	1	
	DRYER AS-REFRIGERANT (IN-LINE)	3E3535-P	1	

### Power Train and braking system

Product	Part number	Qty
BEARING-SPHERICAL	6V0444-P	1
BEARING AS	8J3783-P	1
CONE-SPECIAL TAPERED	1335101-P	1
CUP-SPECIAL TAPERED	1335102-P	1
BEARING AS-ROLLER	4D7534-P	4
CONE-BEARING	6V0459-P	1
CUP-BEARING	6V0460-P	1
BEARING AS	1743040-P	8
SEAL GP-DUO-CONE	2979546-P	1
SEAL GP-DUO-CONE	3144130-P	1
BEARING-ROLLER	4362593-P	16
PLATE-OUTER	1639366-P	11
DISC-FRICTION (EXTENDED LIFE)	1967866-P	12
CONE-SPECIAL TAPERED	2892131-P	1
DAMPER AS	7D3013-P	2
DISC-FRICTION	9W7017-P	12
CONE-BEARING(TAPERED ROLLER)	9W7095-P	1
CUP-BEARING	9W7096-P	1
DISC-FRICTION	1903532-P	13
DISC-FRICTION(EXTENDED LIFE)	2262826-P	13
PLATE-OUTER	8W0212-P	12
CUP-BEARING	9D0994-P	1
BEARING	1086587-P	2
SPIDER & BEARING GPS/N 2BW1625-UP	8R7036-P	2
PISTON AS	9V3222-P	2
STARTING MOTOR GP-AIRS/N 2BW1-UP	9V3225-P	1

## Partinium® program



## Electrical Parts

	PRODUCT	PART NUMBER	QTY
	ALTERNATOR	1013999-P	1
	ATTERY GPS/N FDB1-UP12-VOLT, DRY	1014000-P	4
	Battery AS(12-VOLT, Maintenance Free, Wet)	1535720-P	2
	STARTING MOTOR GP-ELECTRIC -COLD WEATHERS/N FDB155-UP24-VOLT	3383456-P	1
	STARTING MOTOR GP-AIRS/N FDB1-UP	7C3372-P	1

## Engine Parts

	PRODUCT	PART NUMBER	QTY
	CONE-BEARING	6Y7651-P-P	2
	Cup-Bearing (Tapered Roller)	6Y7652-P-P	2

## Air conditioning

	PRODUCT	PART NUMBER	QTY
	COMPRESSOR GP-REFRIGERANTS/N B8F1-UP; 7TR1-UP	1070267-P-P	1
	DESICCANT	1900760-P-P	1
	DRYER AS-REFRIGERANT(IN-LINE)	3E3535-P-P	1

## Cab parts

	PRODUCT	PART NUMBER	QTY
	MIRROR GP-REAR VIEW(HEATED)	2219264-P-P	1
	MIRROR GP -HEATEDS/N SPD1-UP	2790467-P-P	1
	MOTOR GP-WINDOW WIPER -FRONTS/N SPD1-UP24-VOLT, COMPACT DRIVE	1477975-P-P	1

## Hydraulic

	PRODUCT	PART NUMBER	QTY
	RING-WEAR	1J0708-P-P	1
	CUP-BEARING	9S3581-P-P	2
	CONE-BEARING	9S3582-P-P	2
	BEARING	6G8209-P-P	2
	PUMP GP-GEARS/N SPD1-UP3-SECTION	6T6147-P-P	1
	CUP-BEARING	7K8876-P-P	1
	CONE-BEARING	7K8877-P-P	1
	CONE-BEARING	7L3290-P-P	2
	CUP-BEARING	7L4434-P-P	2
	BEARING AS-ROLLER	7S8576-P-P	1
	PUMP GP-GEARS/N SPD1-UP1-SECTION	8E3882-P-P	1
	SEAL-O-RING	8F8733-P-P	2

## Frame

	PRODUCT	PART NUMBER	QTY
	BEARING	6V3249-P-P	2



### Power Train and braking system

Product	Part number	Qty
BEARING-SPHERICAL	6V0444-P-P	1
CUP-SPECIAL TAPERED	8J3783-P-P	1
CONE-BEARING	1335101-P-P	1
SEAL GP-DUO-CONE	1335102-P-P	1
SEAL GP-DUO-CONE	4D7534-P-P	4
CUP-BEARING	6V0460-P-P	1
BEARING AS	1743040-P-P	8
SEAL GP-DUO-CONE	2979546-P-P	1
SEAL GP-DUO-CONE	3144130-P-P	1
BEARING-ROLLER	4362593-P-P	16
DISC-FRICTION(EXTENDED LIFE)	2262826-P-P	13
DAMPER AS	6G6500-P-P	2
PLATE-OUTER	8W0212-P-P	12
BEARING	1086587-P-P	2
SPIDER & BEARING GP	8R7036-P-P	2
BUSHING	5M3320-P-P	2
BALL BEARING	6Y3484-P-P	1
CONE-BEARING	8S9075-P-P	1
CUP-BEARING	8S9076-P-P	1
CUP-BEARING	9K1171-P-P	1
CONE-BEARING	9K1172-P-P	1
SEAL GP-DUO-CONE	3144119-P-P	1

## Partinium® program

### Electrical Parts

	PRODUCT	PART NUMBER	QTY	
	ALTERNATOR GP-CHARGINGS/N B8F1-UP; 7TR1-UP24-VOLT, 105-AMPERE	1535721-P-P	1	
	BATTERY AS(12-VOLT, MAINTENANCE FREE, WET)	1535720-P-P	2	
	HARNES AS-VALVE(SEAT AIR COMPRESSOR)	1927805-P-P	1	
	STARTING MOTOR GP-ELECTRIC -COLD WEATHERS/N SPD1-UP24-VOLT	3383456-P-P	1	

### Air conditioning

	PRODUCT	PART NUMBER	QTY	
	COMPRESSOR GP-REFRIGERANTS/N ZDG1-UP; 8WM1-UP; EXM1-UP; 7TR3236-UP	2180324-P	2	
	DESICCANT	1900760-P	1	
	DRYER AS-REFRIGERANT(IN-LINE)	3E3535-P	1	
	DRYER AS-REFRIGERANT(IN-LINE)	3200562-P	1	

### Cab parts

	PRODUCT	PART NUMBER	QTY	
	CONDENSER AS	7W8126-P	1	
	MIRROR GP(HEATED, 24-VOLT)	1442227-P	1	
	MIRROR GP-REAR VIEW(HEATED)	2219264-P	1	

### Hydraulic

	PRODUCT	PART NUMBER	QTY	
	MOTOR GP-WINDOW WIPER -FRONTS/N FDB1-UP24-VOLT, COMPACT DRIVE	1477975-P	1	
	CUP-BEARING	6H3568-P	4	
	CONE-BEARING (TAPERED ROLLER)	6I8849-P	4	
	BEARING	6V3249-P	2	

### Power Train and braking system

Product	Part number	Qty
BEARING AS	8J3783-P	1
BEARING AS-ROLLER	4D7534-P	4
SEAL GP-DUO-CONE	3144130-P	1
CUP-SPECIAL TAPERED	1744504-P	1
CONE-BEARING	2125027-P	1
SEAL GP-DUO-CONE	2979546-P	1
SEAL GP-DUO-CONE	3144126-P	1
CONE-BEARING(TAPERED ROLLER)	9W7095-P	1
DISC-FRICTION(EXTENDED LIFE)	2262826-P	15
DAMPER AS	6G6500-P	2
PLATE-OUTER	8W0212-P	12
BEARING	1086587-P	2
SPIDER & BEARING AS	9P0356-P	2
CUP-BEARING(TAPERED ROLLER)	1J2860-P	1
CONE-BEARING(TAPERED ROLLER)	1J4757-P	1
CONE-BEARING(TAPERED ROLLER)	4B9373-P	1
CUP-BEARING(TAPERED ROLLER)	4B9374-P	1
BALL BEARING	6Y3484-P	1
CONE-BEARING	8S9075-P	1
CUP-BEARING	8S9076-P	1
CUP-BEARING	9K1171-P	1
CONE-BEARING	9K1172-P	1

**Partinium® program**

## Electrical Parts

PRODUCT	PART NUMBER	QTY
ALTERNATOR GP-CHARGING -DEBRIS RESISTANT (24-VOLT, 100-AMPERE)	2047449-P	1
ALTERNATOR GP-CHARGING (24-VOLT, 105-AMPERE)	3167251-P	1
BATTERY GP(12-VOLT, MAINTENANCE FREE, WET)	1535710-P	2
BATTERY GP -DRY (12-VOLT)	9X9730-P	2
STARTING MOTOR GP-ELECTRIC	1238686-P	1
STARTING MOTOR GP-ELECTRIC -COLD WEATHER	3383456-P	1
SOLENOID AS-STARTING MOTOR(24-VOLT)	3383453-P	1

## Engine parts

PRODUCT	PART NUMBER	QTY
BEARING AS-ROLLER	6V7423-P	2
BALL BEARING	6B1124-P	2
CONE-BEARING	6Y7651-P	2
CUP-BEARING(TAPERED ROLLER)	6Y7652-P	2
REGULATOR-WATER TEMPERATURE(92-DEG C)(WATER, COOLANT)	2485513-P	2
SEAL-CRANKSHAFT(FRONT)	1425867-P	1
SEAL-LIP TYPE	5M9735-P	1
TURBOCHARGER GP (S/N 48W42331-UP)	4P8730-P	1

## Air conditioning

PRODUCT	PART NUMBER	QTY
COMPRESSOR GP-REFRIGERANT	1065122-P	1
KIT-COIL(AIR CONDITIONER)	2160805-P	1
DRYER AS-REFRIGERANT(IN-LINE)	2573226-P	1
DRYER AS-REFRIGERANT(IN-LINE)	3E3535-P	1
MOTOR GP-ELECTRIC(CONDENSER FAN)	3086335-P	2
MOTOR AS-BLOWER(27-VOLT, A/C, HEATER)	3850244-P	1
MOTOR GP-WINDOW WIPER	5112371-P	1

## Cab parts

PRODUCT	PART NUMBER	QTY
MIRROR	5P6871-P	1
MIRROR AS(RH)	8T2287-P	1
BLADE AS-WIPER(350-MM)(DOOR, LH)	6V5849-P	4
GLASS(TINTED)(CAB-FRONT-FIXED)	7G2454-P	1
MOTOR GP-WINDOW WIPER -FRONT	1477976-P	1
WIPER PIVOT GP -FRONT	1010742-P	1

## Hydraulic

PRODUCT	PART NUMBER	QTY
PUMP GP-PISTON -IMPLEMENT	1041752-P	1
KIT-SEAL (HYDRAULIC CYLINDER)	2404819-P	1
BEARING (ROD END)	7J3297-P	1





Engines are bench test twice to insure optimal quality



### Engine

Ref	Rebuilt kit 1693690-REBK	Component		
		Outright 1693690-OUT	Rebuild 1693690-REB	Exchange 1693690-PEX
<b>Parts replaced systematically :</b>				
Complete reman cylinder heads	●	●	●	●
Complete reman cylinder packs	●	●	●	●
Oil pump	●	●	●	●
Turbochargers	●	●	●	●
All injectors	●	●	●	●
Water pumps, coolant hoses	●	●	●	●
Engine harness and sensors	●	●	●	●
Alternator and starting motor	●	●	●	●
Camshafts	●	●	●	●
ECM	●	●	●	●
All seals, bearings and bushings	●	●	●	●
Breathers and filters	●	●	●	●
Exhaust bolts, spacers and sleeves	●	●	●	●
Belt, pulleys and tensioner	●	●	●	●
Water temperature regulator	●	●	●	●
All rocker arms	●	●	●	●
Hoses	●	●	●	●
Oil cooler Engine and transmission	●	●	●	●
Fuel pump	●	●	●	●
Air conditioning compressor	●	●	●	●
Engine block		●	●	●
Front and rear Housing		●	●	●
Pan oil		●	●	●
Crankshaft		●	●	●
Exhaust and intake manifolds		●	●	●
Timing gears		●	●	●
Flywheel		●	●	●
Core return			●	●
Limited downtime		●		●



All transmissions are dyno tested before shipping.



All transmissions are dyno tested before shipping.

## Transmission

Ref	Rebuilt kit 1635299-REBK	Component		
		Outright 1635299-OUT	Rebuild 1635299-REB	Exchange 1635299-PEX
<b>Parts replaced systematically :</b>				
All seals and bearings	●	●	●	●
Valves	●	●	●	●
Shim packs	●	●	●	●
All friction discs and plates	●	●	●	●
All clutch springs	●	●	●	●
Sensors	●	●	●	●
Plugs and nipples	●	●	●	●
Transmission cable	●	●	●	●
Harness	●	●	●	●
Piston	●	●	●	●
Solenoids	●	●	●	●
Gears	●	●	●	●
Housings	●	●	●	●
<b>Core return</b>		●	●	●
<b>Limited downtime</b>		●	●	●

## Torque converter

Ref	Rebuilt kit 1639364-REBK	Component		
		Outright 1639364-OUT	Rebuild 1639364-REB	Exchange 1639364-PEX
<b>Parts replaced systematically :</b>				
All seals and bearings	●	●	●	●
Valve wear Parts : springs, sleeves, seals	●	●	●	●
Pump	●	●	●	●
Lock up discs and plate	●	●	●	●
Sensors and coils	●	●	●	●
Impeller, turbine and stator	●	●	●	●
Carrier stator	●	●	●	●
Housing		●	●	●
Clutch Piston		●	●	●
Shafts		●	●	●
Gears		●	●	●
<b>Core return</b>			●	●
<b>Limited downtime</b>		●	●	●

## Final Drive

Ref	Rebuilt kit 1857593-REBK	Component		
		Outright 1857593-OUT	Rebuild 1857593-REB	Exchange 1857593-PEX
<b>Parts replaced systematically :</b>				
All seals and bearings	●	●	●	●
Gear shafts	●	●	●	●
Seal GP duo-cone	●	●	●	●
Housing and hub		●	●	●
Gears		●	●	●
Spindle		●	●	●
Carriers		●	●	●
<b>Core return</b>			●	●
<b>Limited downtime</b>		●	●	●

## Clutch Gp-Steering

Ref	Rebuilt kit 1036291-REBK	Component		
		Outright 1036291-OUT	Rebuild 1036291-REB	Exchange 1036291-PEX
<b>Parts replaced systematically :</b>				
All seals, plugs and bearings	●	●	●	●
All friction discs and plates	●	●	●	●
Spring and all rings retainer	●	●	●	●
Housing		●	●	●
Shaft and hub input		●	●	●
Hub		●	●	●
Piston		●	●	●
<b>Core return</b>			●	●
<b>Limited downtime</b>		●	●	●

## Shoes 22"/560mm

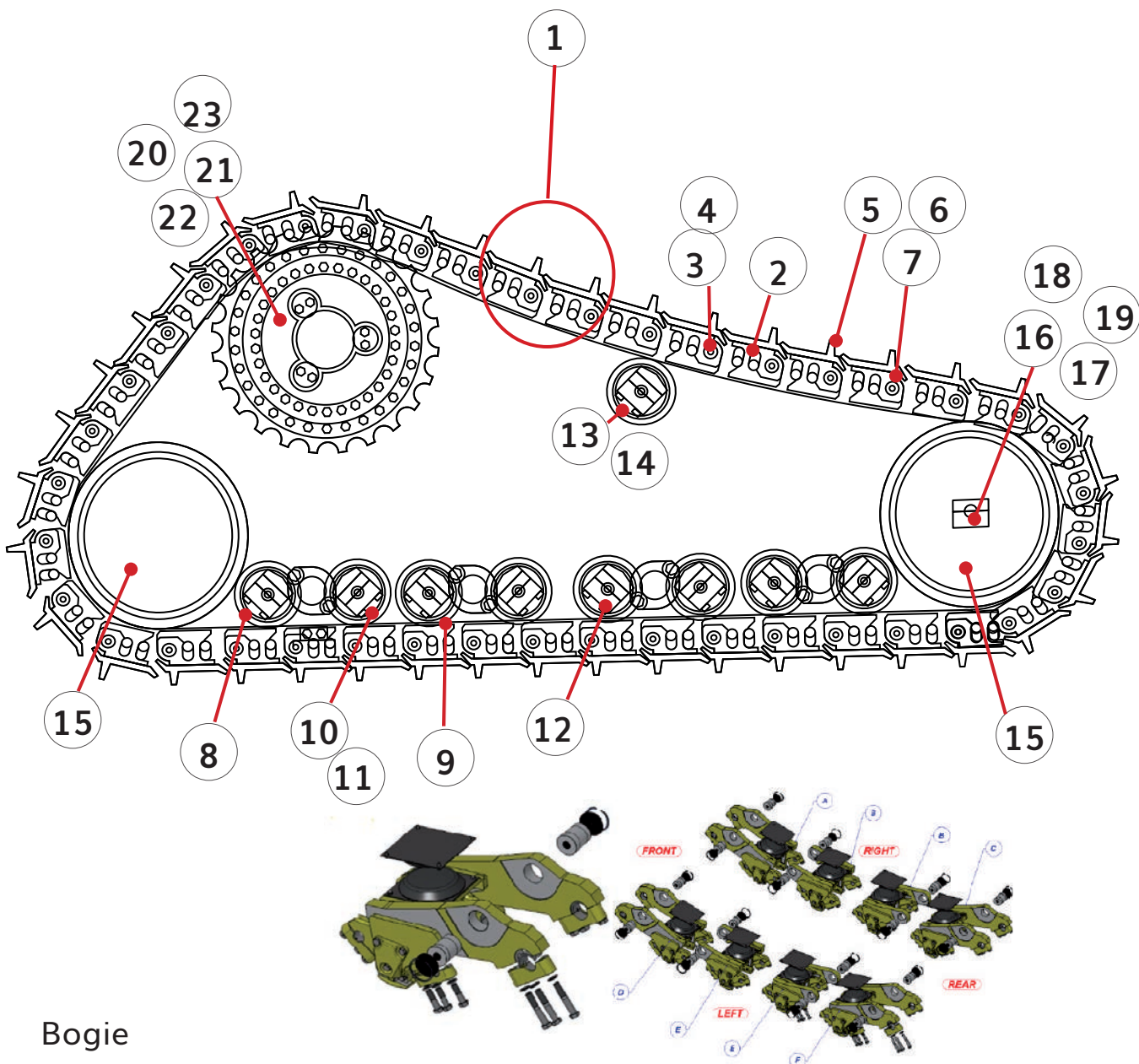
N°	Product	Part Number	Qty
	Track GP	CR7610/43/22	2
1	Link Ass	CR761143	2
2	Master link	CR7621 / CR7622	1
3	Master link bolts	CR3859	1
4	Master link bolts	CR4669	1
5	Shoes extrem service	CR4671/22	86
6	Shoes bolt	CR4670	336
7	Shoes nuts	CR4037	336
8	Tracks rollers SF	CR4672	8
9	Tracks rollers DF	CR4673	8
10	Tracks rollers bolt	6T1140	72
11	Tracks rollers washer	5P8249P	72
12	Rollers caps	1311651P	36
13	Carrier rollers	CR4672	2
14	Carrier rollers bolt	6T1140	8
15	Idlers	CR4681	4
16	Idler caps	3069443P	1
17	Idler caps	3069445P	1
18	Idler caps bolt	9W4480	3
19	Idler caps washer	3S1349	3
20	Sprocket	CR4686	2
21	Sprocket bolt	CR3876	60
22	Sprocket nuts	CR1001	60
23	Sprocket washer	5P8249P	60

Optional equipment may vary. Consult for details

## Shoes 24"/610mm

N°	Product	Part Number	Qty
	Track GP	CR7610/43/24	2
1	Link Ass	CR761143	2
2	Master link	CR7621 / CR7622	1
3	Master link bolts	CR3859	1
4	Master link bolts	CR4669	1
5	Shoes extrem service	CR4671/24	86
6	Shoes bolt	CR4670	336
7	Shoes nuts	CR4037	336
8	Tracks rollers SF	CR4672	8
9	Tracks rollers DF	CR4673	8
10	Tracks rollers bolt	6T1140	72
11	Tracks rollers washer	5P8249P	72
12	Rollers caps	1311651P	36
13	Carrier rollers	CR4672	2
14	Carrier rollers bolt	6T1140	8
15	Idlers	CR4681	4
16	Idler caps	3069443P	1
17	Idler caps	3069445P	1
18	Idler caps bolt	9W4480	3
19	Idler caps washer	3S1349	3
20	Sprocket	CR4686	2
21	Sprocket bolt	CR3876	60
22	Sprocket nuts	CR1001	60
23	Sprocket washer	5P8249P	60





## Bogie

Product	Part Number	Qty
PLATE	7G5221-HQ	16
BOGIE AS (MIDDLE)	7T5417-HQ *	4
PAD A N/R	7T5419-HQ	16
BOGIE	7T5420-HQ	16
PIN	7T9307-P	32
COVER	9P7823-HQ	16
INSERT	9W4481-HQ	8
BOGIE AS (FRONT)	1342679-HQ *	2
BOGIE AS (REAR)	1342680-HQ *	2
GUIDE	1844395-P	16
SNAP RING	0673161-HQ	16
WASHER	5P1076-HQ	64
BOLT	5P2228-HQ	64
BOLT 3/4"	8C6857-HQ	32
BOLT	8S4755-HQ	32
WASHER	8T4994-P	32

\*7T5417-HQ, 1342679-HQ & 1342680-HQ are supplied complete and assembled with Pads, Pins, Covers.

Included in each kit major & minor Bogies , cartridge pins HD , Guides Partinium , roller & idler Caps , shock absorber ( pad ) ...delivered assembled

## Semi U-Blades Edges

Blade Serial Number	Application	Thickness (mm)	N° 4			N° 5			Bolts	Nuts
			Central edge	Qty	Hardware qty	End edge N°5	Qty	Hardware qty		
53C,89D,21E832-UP	Extended Wear Life	41	7J2962MT	2	10	-	-	-	4J9208	2J3507
05A, 18K, 46K, 73R, 61U	General Duty	35	9W4500MT	3	7	-	-	-	4J9058	2J3507
18Y1-1875, 52Y, 42S	Finish dozing	28	4T6386MT	1	7	4T6385MT	2	8	4J9208	2J3507
	General Duty	35	9W4500MT	1	7	9W4502MT	2	8	1J4948	2J3507
1MH, 5BH, 1LP, 2LP, 7NH, 2ZP, 2BP, 9LH, 9RP, CLC, CLN, CLY, CMA, T9J	Finish dozing	28	6Y5539MT	1	12	6Y5540MT	2	5	4J9208	2J3507
	General Duty	35	7T5702MT	1	12	7T9125MT	2	5	4J9208	2J3507
	Extended Wear Life	45	9W7043MT	1	12	1122471MT	2	5	4J9208	2J3507
1MH, 5BH,1LP,2LP,7N	Cast Blade	-	LA6225HHD	2	-	LA6201HHD	2	-	-	-

## Semi U-Blades End Bits

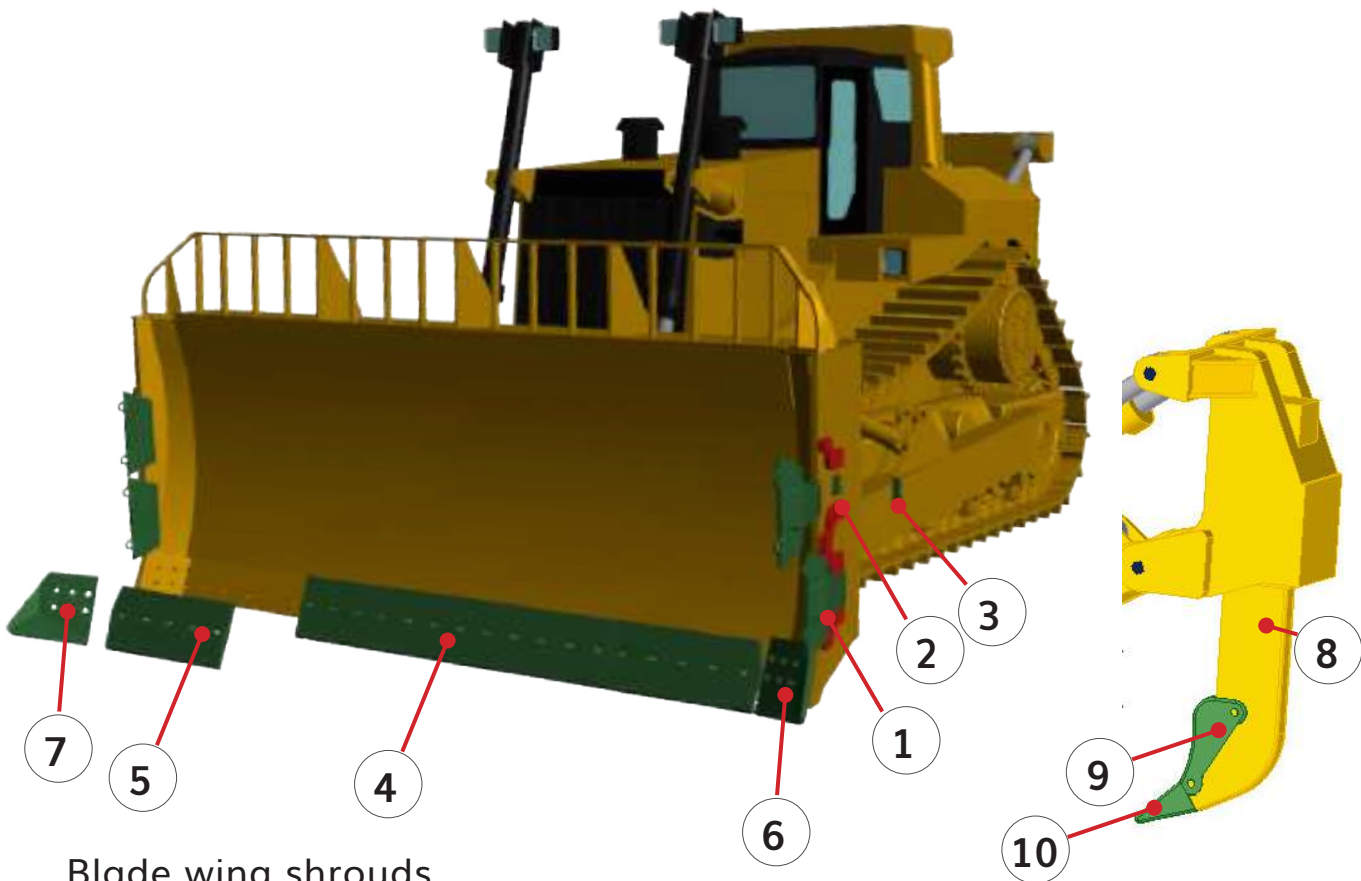
Blade Serial Number	Application	Thickness (mm)	N°		Hardware qty	Bolts	Nuts
			End bit RH 6	End bit LH 7			
18Y1-1875, 52Y, 42S	General Duty	35	8E4199MT	8E4198MT	7	5P8823	3K9770
1MH, 5BH, 2BP, 2ZP, 1LP, 2LP, 7NH, 9LH, 9RP, CLC, CLN, CLY, CMA, CMN, T9J	Finish dozing	28	6Y4277MT	6Y4278MT	7	4J9208	2J3507
	General Duty	35	8E4197MT	8E4196MT	7	4J9208	2J3507
	Extended Wear Life	45	8E4539MT	8E4540MT	7	4J9208	2J3507
1MH, 5BH,1LP,2LP,7N	Cast Blade	-	LA6159UR	LA6159UL	-	-	-

## U-Blades Edges

Blade Serial Number	Application	Thickness (mm)	Central edge	Qty	Hardware qty	End edge	Qty	Hardware qty	Bolts	Nuts
1LH, 2ZH, 1MP, 7PH, 9MP, CMH, CMN, CMS, CMW, CMZ, T9H	Finish dozing	28	6Y5539MT	1	15	6Y5540MT	2	5	4J9208	2J3507
	Extended Wear Life	45	9W7044MT	1	15	1122471MT	2	5	4J9208	2J3507
1LH, 2ZH, 1MP, 7PH	Cast Blade	-	LA6224HHD	2	-	LA6201HHD	2	-	-	-

## U-Blades End Bits

Blade Serial Number	Application	Thickness (mm)	End bit RH	End bit LH	Hardware qty	Bolts	Nuts
55C, 14C, 19K, 20H, 78X, CMH	General duty	35	8E4197MT	8E4196MT	7	8J2928	2J3607
19Y, 78S	General Duty	35	8E4199MT	8E4198MT	7	5P8823	3K9770
1LH, 2ZH, 1MP, 7PH, CMS, CMW, CMZ, 9MP, T9H	Finish dozing	28	6Y4277MT	6Y4278MT	7	4J9208	2J3507
	General Duty	35	8E4197MT	8E4196MT	7	4J9208	2J3507
	Extended Wear Life	45	8E4539MT	8E4540MT	7	4J9208	2J3507
1LH, 2ZH, 1MP, 7PH	Cast Blade	-	LA6159UR	LA6159UR	-	-	-



### Blade wing shrouds

N°	Product	Part number	Qty
1	Shrouds	ES4410SA	4 units
2	Bosses	EP9055	4 units
3	Retainer	75KLKSR	4 units

### Shank 75 mm, width 332 mm

N°	Product	Part number
8	Shank	Single Shank length : 2 332 mm - 3 holes
		8E5339
		Deep Rip length : 2 760 mm - 3 holes
		4T8988
9	Shank Protector	Multi Shank length : 1 610 mm - 2 holes
		4T8990
		8E5346
		2 pin - Standard Protector
		6J8814
		2 pin - Sharp Protector
		8E1848
		Extended 2 Pin 1-Piece Protector
		1324716
		Pin
		6Y3394
		Retainer
8E4743		
10	Tips	Hammerless Shank Protector
		PR450-SH75
		Pin
		PR450LPN
		Collar
		P550/PR450LC
		Lower Shank Pin
		PR450LPN2
		Fines Cap
		FC16
8	Shank	Single Shank length : 2 325 mm - 3 holes
		1144503
		Deep Rip length : 2 825 mm - 3 holes
		1099114
		2 pin - Sharp Protector
		9W8365
9	Shank Protector	Extended 2 Pin 1-Piece Protector
		1321014
		Pin
		6Y1204
		Retainer
		6Y1202
10	Tips	Hammerless Shank Protector
		PR500-SH90
		Pin
		PR500LPN
		Collar
		P700/PR500LC
9	Shank Protector	Lower Shank Pin
		PR500LPN2
		Fines Cap
		FC16
		Intermediate Penetration
		4T5502
10	Tips	Long Penetration
		4T5503
		Pin
		6Y1204
		Retainer
		6Y1202
9	Shank Protector	Hammerless Point
		PR500P
		Pin
		PR500LPN
10	Tips	Collar
		P700/PR500LC

### Shank 90 mm, width 355 mm

N°	Product	Part number
8	Shank	Single Shank length : 2 325 mm - 3 holes
		1144503
		Deep Rip length : 2 825 mm - 3 holes
		1099114
		2 pin - Sharp Protector
		9W8365
9	Shank Protector	Extended 2 Pin 1-Piece Protector
		1321014
		Pin
		6Y1204
		Retainer
		6Y1202
10	Tips	Hammerless Shank Protector
		PR500-SH90
		Pin
		PR500LPN
		Collar
		P700/PR500LC
9	Shank Protector	Lower Shank Pin
		PR500LPN2
		Fines Cap
		FC16
		Intermediate Penetration
		4T5502
10	Tips	Long Penetration
		4T5503
		Pin
		6Y1204
		Retainer
		6Y1202
9	Shank Protector	Hammerless Point
		PR500P
		Pin
		PR500LPN
10	Tips	Collar
		P700/PR500LC



Engines are bench test twice to insure optimal quality



### Engine

Ref	Rebuilt kit 3596502-REBK	Component		
		Outright 3596502-OUT	Rebuild 3596502-REB	Exchange 3596502-PEX
<b>Parts replaced systematically :</b>				
Complete reman cylinder heads	●	●	●	●
Complete reman cylinder packs	●	●	●	●
Oil pump	●	●	●	●
Turbochargers	●	●	●	●
All injectors	●	●	●	●
Water pumps, coolant hoses	●	●	●	●
Engine harness and sensors	●	●	●	●
Alternator and starting motor	●	●	●	●
Camshafts	●	●	●	●
ECM	●	●	●	●
All seals, bearings and bushings	●	●	●	●
Breathers and filters	●	●	●	●
Exhaust bolts, spacers and sleeves	●	●	●	●
Belt, pulleys and tensioner	●	●	●	●
Water temperature regulator	●	●	●	●
All rocker arms	●	●	●	●
Hoses	●	●	●	●
Oil cooler Engine and transmission	●	●	●	●
Fuel pump	●	●	●	●
Air conditioning compressor	●	●	●	●
Engine block		●	●	●
Front and rear Housing		●	●	●
Pan oil		●	●	●
Crankshaft		●	●	●
Exhaust and intake manifolds		●	●	●
Timing gears		●	●	●
Flywheel		●	●	●
Core return			●	●
Limited downtime		●		●



All transmissions are dyno tested before shipping.



All transmissions are dyno tested before shipping.

## Transmission

Ref	Rebuilt kit	Component		
		Outright	Rebuild	Exchange
1550537-REBK	1550537-OUT	1550537-REB	1550537-PEX	
<b>Parts replaced systematically :</b>				
All seals and bearings	●	●	●	●
Valves	●	●	●	●
Shim packs	●	●	●	●
All friction discs and plates	●	●	●	●
All clutch springs	●	●	●	●
Sensors	●	●	●	●
Plugs and nipples	●	●	●	●
Transmission cable	●	●	●	●
Harness	●	●	●	●
Piston	●	●	●	●
Solenoids	●	●	●	●
Gears	●	●	●	●
Housings	●	●	●	●
<b>Core return</b>		●	●	
<b>Limited downtime</b>	●	●	●	

## Torque converter

Ref	Rebuilt kit	Component		
		Outright	Rebuild	Exchange
3596482-REBK	3596482-OUT	3596482-REB	3596482-PEX	
<b>Parts replaced systematically :</b>				
All seals and bearings	●	●	●	●
Valve wear Parts : springs, sleeves, seals	●	●	●	●
Pump	●	●	●	●
Lock up discs and plate	●	●	●	●
Sensors and coils	●	●	●	●
Impeller, turbine and stator	●	●	●	●
Carrier stator	●	●	●	●
Housing	●	●	●	●
Clutch Piston	●	●	●	●
Shafts	●	●	●	●
Gears	●	●	●	●
<b>Core return</b>		●	●	
<b>Limited downtime</b>	●	●	●	

## Final Drive

Ref	Rebuilt kit	Component		
		Outright	Rebuild	Exchange
1102656-REBK	1102656-OUT	1102656-REB	1102656-PEX	
<b>Parts replaced systematically :</b>				
All seals and bearings	●	●	●	●
Gear shafts	●	●	●	●
Seal GP duo-cone	●	●	●	●
Housing and hub	●	●	●	●
Gears	●	●	●	●
Spindle	●	●	●	●
Carriers	●	●	●	●
<b>Core return</b>		●	●	
<b>Limited downtime</b>	●	●	●	

## Clutch Gp-Steering

Ref	Rebuilt kit	Component		
		Outright	Rebuild	Exchange
2371017-REBK	2371017-OUT	2371017-REB	2371017-PEX	
<b>Parts replaced systematically :</b>				
All seals, plugs and bearings	●	●	●	●
All friction discs and plates	●	●	●	●
Spring and all rings retainer	●	●	●	●
Housing	●	●	●	●
Shaft and hub input	●	●	●	●
Hub	●	●	●	●
Piston	●	●	●	●
<b>Core return</b>		●	●	
<b>Limited downtime</b>	●	●	●	

# Partinium® program



## Electrical Parts

	PRODUCT	PART NUMBER	QTY
	REGULATOR AS-VOLTAGE(24-VOLT)	1852648-P	1
	BATTERY GP(12-VOLT, MAINTENANCE FREE, WET)	1535710-P	2
	STARTING MOTOR GP-ELECTRIC	3496536-P	1

## Engine parts

	PRODUCT	PART NUMBER	QTY
	BALL BEARING	4B3665-P	2
	Mount AS	6Y2090-P	2

## Air conditioning

	PRODUCT	PART NUMBER	QTY
	ACCUMULATOR GP-REFRIGERANT	3200564-P	1
	COMPRESSOR GP-REFRIGERANT	3249711-P	1
	COMPRESSOR GP-REFRIGERANT	5073868-P	1
	DRYER AS-REFRIGERANT(IN-LINE)	3200562-P	1

## Cab parts

	PRODUCT	PART NUMBER	QTY
	MIRROR AS	8T2287-P	1
	HARNES AS-VALVE(SEAT AIR COMPRESSOR)	1927805-P	1
	MOTOR GP-WINDOW WIPER	5112371-P	1
	BLADE AS-WIPER(350-MM)(FRONT WINDOW)	6V5849-P	1
	BLADE AS-WIPER(558-MM)(REAR)	6W3924-P	1
	BLADE AS-WIPER(330-MM)(DOOR, RH, LH)	1285040-P	4
	ARM GP-WINDOW WIPER(FRONT)	1753761-P	1

## Hydraulic

	PRODUCT	PART NUMBER	QTY
	KIT-SEAL(HYDRAULIC CYLINDER)	2404819-P	1
	CONE-BEARING	3P1210-P	1
	CUP-BEARING	8J0412-P	1
	PUMP GP-PISTON -CHARGE	2894027-P	1
	PUMP GP-PISTON -IMPLEMENT PUMP 1	3736629-P	1
	PUMP GP-PISTON -IMPLEMENT PUMP 2	3736630-P	1
	PUMP GP-PISTON -HYDRAULIC FAN	4959595-P	1
	CONE-BEARING	6Y2736-P	2
	MOTOR GP-ELEC HYD PUMP	3898169-P	1
	BALL BEARING	5P9439-P	1

## Frame

	PRODUCT	PART NUMBER	QTY
	BALL BEARING AS	1B5675-P	1
	CAP AS-TRACK IDLER	3069447-P	1
	CAP AS-TRACK IDLER	3069449-P	1
	BEARING-ALIGNING	3807675-P	2
	PIN AS	1327994-P	2
	SEAL-LIP TYPE	7K9211-P	8
	PIN AS	9J9055-P	2
	NUT-FULL	3S1356-P	4
	BOLT(M20X2.5X60-MM)	1064175-P	4
	BOLT(7/8-9X3.5-IN)	1D4629-P	16
	GUIDE	1844396-P	8
	COVER	7G3907-P	8
	PAD AS-RESILIENT	7T5959-P	8

**Power Train and braking system**

Product	Part number	Qty
DISC-FRICTION	2559267-P	8
PLATE-CLUTCH & BRAKE	7T6994-P	7
CUP-BEARING	1L7319-P	8
CONE-SPECIAL TAPERED	1260588-P	1
CONE-BEARING(TAPERED ROLLER)	1666930-P	8
CUP(BEARING)	1666931-P	8
CUP-BEARING	3D9133-P	1
CUP-BEARING	6V8281-P	1
SEAL GP-DUO-CONE	6Y0857-P	1
BUSHING	5M3320-P	4
UNIVERSAL JOINT GP-ROTOR DRIVE	1730888-P	2
CONE-BEARING	5F1248-P	1



# Partinium® program



## Electrical Parts

PRODUCT	PART NUMBER	QTY
ALTERNATOR GP-CHARGING (24-VOLT, 95-AMPERE)	1978820-P	1
BATTERY GP	1535710-P	2

## Engine parts

PRODUCT	PART NUMBER	QTY
SOLENOID AS-STARTING MOTOR(24-VOLT)	3383453-P	1
STARTING MOTOR GP-ELECTRIC -COLD WEATHER	3383456-P	1
CONTROL GP-ELECTRONIC(VOLTAGE, LOAD PROTECTION, 24-VOLT)	3966500-P	1

## Air conditioning

PRODUCT	PART NUMBER	QTY
RELAY(PRELUBRICATION MOTOR)	1836970-P	1
SWITCH AS-PRESSURE(HIGH SIDE)	1145333-P	1
COMPRESSOR GP-REFRIGERANT	1065122-P	1
KIT-COIL(AIR CONDITIONER)	2160805-P	1
MOTOR GP-ELECTRIC(CONDENSER FAN)	3086335-P	2
DRYER AS-REFRIGERANT(IN-LINE)	3E3535-P	1
DRYER AS-REFRIGERANT(IN-LINE)	2573226-P	1

## Cab parts

PRODUCT	PART NUMBER	QTY
MIRROR AS(RH)	8T2287-P	1
HARNES AS-VALVE(SEAT AIR COMPRESSOR)	1927805-P	1
BLADE AS-WIPER(500-MM)(REAR)	5C8811-P	1
BLADE AS-WIPER(400-MM)(FRONT)	6V5851-P	1
BLADE AS-WIPER(503-MM)(RH, LH, REAR)	6V6543-P	2
BLADE AS-WIPER(600-MM)(RH, LH, REAR)	6V6864-P	2
BLADE AS-WIPER(558-MM)(REAR)	6W3924-P	1
BLADE AS-WIPER(330-MM)(CAB DOOR)	1285040-P	4
ARM GP-WINDOW WIPER(FRONT)	1753761-P	1

## Hydraulic

PRODUCT	PART NUMBER	QTY
SEAL-U-CUP	1672300-P	1
KIT-SEAL(HYDRAULIC CYLINDER)	2404819-P	1
SEAL AS	5J5402-P	1
RING-WEAR	6J2797-P	1
MOTOR GP-PISTON -HYDRAULIC FAN	2120272-P	1
PUMP GP-PISTON -HYDRAULIC FAN	2200780-P	1
PUMP GP-GEAR -IMPLEMENT	2280272-P	1
CONE-BEARING	6Y2736-P	2
SEAL-O-RING	8F8733-P	2
CONE-BEARING	1100012-P	2
CUP-BEARING	1100013-P	2
BALL BEARING AS	1B5675-P	1
CAP AS-TRACK IDLER	3069447-P	1
CAP AS-TRACK IDLER	3069449-P	1
BEARING-ALIGNING	3807675-P	2
GUIDE	1844396-P	8
COVER	7G3907-P	8
PAD AS-RESILIENT	7T5959-P	8



## Power Train and braking system

Product	Part number	Qty
DISC-FRICTION	2559267-P	8
PLATE-CLUTCH & BRAKE	7T6994-P	7
CUP-BEARING	1L7319-P	8
CONE-SPECIAL TAPERED	1260588-P	1
CONE-BEARING(TAPERED ROLLER)	1666930-P	8
CUP(BEARING)	1666931-P	8
CUP-BEARING	3D9133-P	1
CUP-BEARING	6V8281-P	1
SEAL GP-DUO-CONE	6Y0857-P	1
BUSHING	5M3320-P	4
BALL BEARING	5P9439-P	1
UNIVERSAL JOINT GP-ROTOR DRIVE	1730888-P	2
CUP-BEARING	5D7449-P	1
CONE-BEARING	5F1248-P	1
BEARING AS	1127317-P	1
CONE-BEARING	1326597-P	1
CUP-BEARING	5K3931-P	1
CONE-BEARING	5K3932-P	1
BEARING AS-ROLLER	5M6126-P	5
CUP-BEARING	6V0458-P	1
CONE-BEARING	6Y2546-P	1
CUP-BEARING	6Y2547-P	1
BALL BEARING	6Y3484-P	3
CONE-BEARING(TAPERED ROLLER)	9M2744-P	1

## Shoes Extreme Service 24"

N°	Product	Part number CAT	Haladjian Part number	Qty
	Track GP		CR7665/44/24	2
1	Link Assembly	3805946	CR7663/44	2
2	Shoe ES 24"	7T0724	CR5040/24	86
3	Master Shoe ES 24"	3399667	CR5186/24	2
4	Shoes bolt	7T1000	CR5167	344
5	Shoes nuts	5P8221	CR3835	344
6	Master Link RH- LH		CR7673- CR7674	1+1
7	Master Link Bolts	3723847	CR5257	2
8	Master Link Bolts	3723875	CR5258	2
9	Track rollers SF	3097679	CR6881	8
10	Track rollers DF	3097678	CR6884	8
11	Carrier roller	3097679	CR5041	2
12	Roller cap	1311650		36
13	Track roller bolt	6T1139		72
14	Track roller Washer	3K5234		72
15	Idlers	1671946	CR5045	4
16	Idler caps	3069447	CR7108	4
17	Idler caps	3069449	CR7109	4
18	Idler caps bolt	9W4488		24
19	Idler caps washer	4K0684		24
20	Sprocket	2782374 x 10	CR5047	2
21	Sprocket bolts	5P5422	CR3889	60
22	Sprocket nuts	2M5656	CR1270	60
23	Sprocket washer	5P8250	CR3890	60
24	Guide	1844396		16
25	Guide Bolt	2993436		32
26	Guide Washer	8C6913		32

Optional equipment may vary : 22", 28"... Consult for details

## Shoes Super Extreme Service 24"

N°	Product	Part number CAT	Haladjian Part number	Qty
	Track GP		CR7667/44/24	
1	Link Assembly	3805946	CR7663/44	2
2	Shoe SES 24"		CR5272/24	86
3	Master Shoe SES 24"		CR5273/24	2
4	Shoes bolt	7T1000	CR5167	344
5	Shoes nuts	5P8221	CR3835	344
6	Master Link RH- LH		CR7673- CR7674	1+1
7	Master Link Bolts	3723847	CR5257	2
8	Master Link Bolts	3723875	CR5258	2
9	Track rollers SF	3097679	CR5041	8
10	Track rollers DF	3097678	CR5043	8
11	Carrier roller	3097679	CR5041	2
12	Roller cap	1311650		36
13	Track roller bolt	6T1139		72
14	Track roller Washer	3K5234		72
15	Idlers	1671946	CR5045	4
16	Idler caps	3069447	CR7108	4
17	Idler caps	3069449	CR7109	4
18	Idler caps bolt	9W4488		24
19	Idler caps washer	4K0684		24
20	Sprocket	2782374 x 10	CR5047	2
21	Sprocket bolts	5P5422	CR3889	60
22	Sprocket nuts	2M5656	CR1270	60
23	Sprocket washer	5P8250	CR3890	60
24	Guide	1844396		16
25	Guide Bolt	2993436		32
26	Guide Washer	8C6913		32



## Semi U-Blades Edges

				N° 4		N° 5				
Blade Serial Number	Application	Thickness (mm)	Central edge	Qty	Hardware qty	End edge N°5	Qty	Hardware qty	Bolts	Nuts
1RH, 7RH, 4KP, 6EP, BHJ, BHA	Extended Wear Life	45	9W6656MT	2	6	9W6657MT	2	5	5P8823	3K9770
1RH, 7RH	Cast Blade		LA6248HHD	2		LA6227HHD	2			

## U-Blades Edges

Blade Serial Number	Application	Thickness (mm)	Central edge	Qty	Hardware qty	End edge	Qty	Hardware qty	Bolts	Nuts
1SH, 7WH, 4LP, 6FP, BHF, BHP	General Duty	35	9W6615MT	3	5	9W6608MT	2	5	5P8823	3K9770
1SH, 7WH	Cast Blade		LA6226HHD	2		LA6227HHD	2			

## Semi U et U Blades End Bits

				N° 6		N° 7			
Blade Serial Number	Application	Thickness (mm)	End bit RH	End bit LH	Hardware qty	Bolts	Nuts		
4KP, 6EP, 1RH, 1SH, 4LP, 6FP, 7RH, 7WH, BHA, BHJ, BHF, BHP	Extended Wear Life	45	8E4541MT	8E4542MT	7	5P8823	3K9770		

## Blade wing shrouds

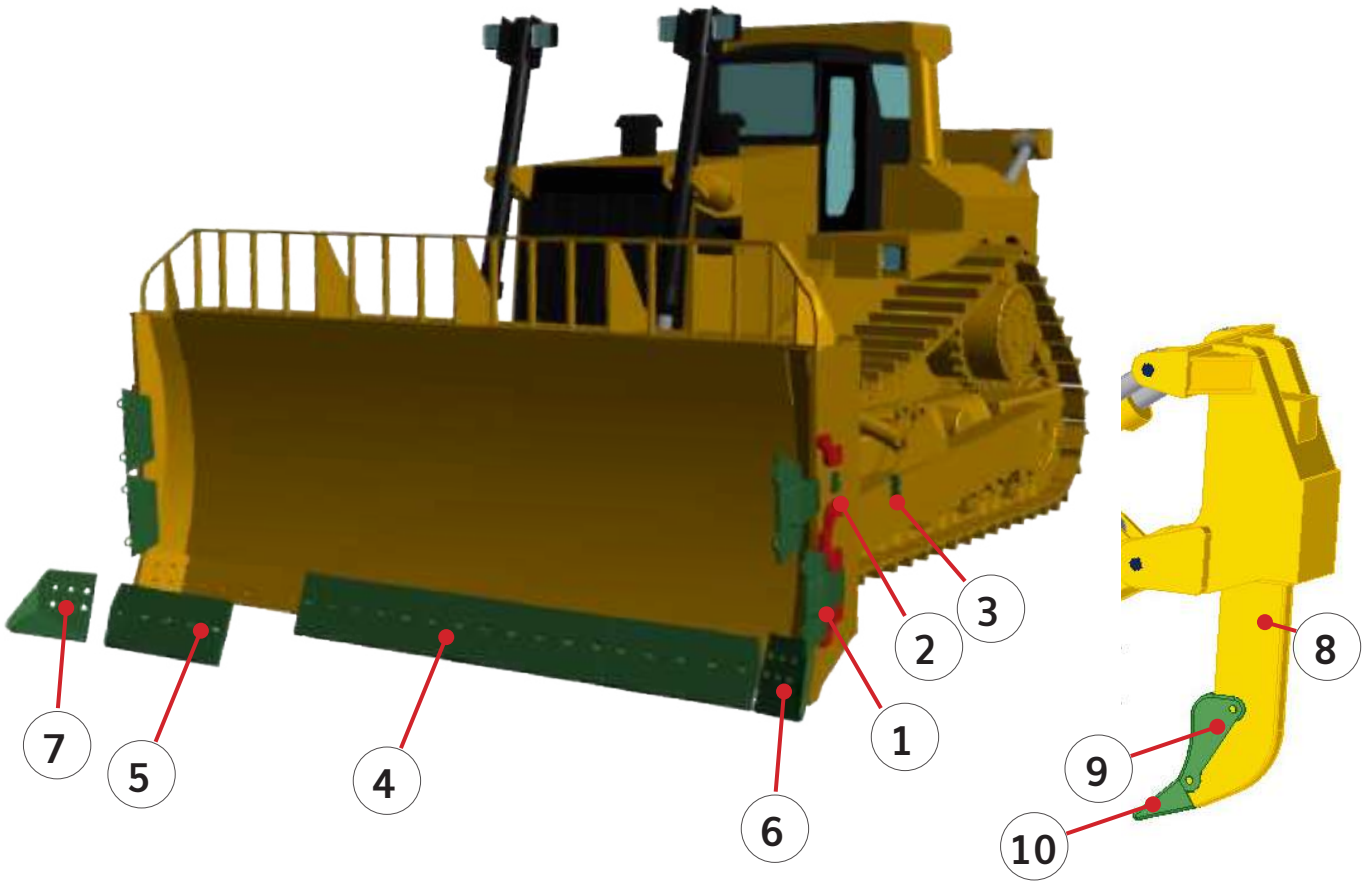
N°	Part number	Qty

## Shank 90 mm, width 355 mm

N°	Product	Part number
8	Shank	Multi Shank length : 1 819 mm - 2 holes
		8E8415
9	Shank Protector	2 pin - Sharp Protector
		9W8365
		Tips
		1321014
		Pin
		6Y1204
		Retainer
		6Y1202
		Hammerless Shank Protector
		PR500-SH90
10	Tips	Pin
		PR500LPN
		Collar
		P700/PR500LC
		Lower Shank Pin
		PR500LPN2
		Fines Cap
		FC16

## Shank 100 mm, width 400 mm

N°	Product	Part number
8	Shank	Single Shank length : 2 510 mm - 3 holes
		1182140
9	Shank Protector	Shank Protector
		1093135
		2 pin - Sharp Protector
		6Y8960
		Extended 2 Pin 1-Piece Protector
		1321015
		Pin
		6Y1204
		Retainer
		6Y1202
10	Tips	Hammerless Shank Protector
		PR500-SH100
		Pin
		PR500LPN
		Collar
		P700/PR500LC
		Lower Shank Pin
		PR500LPN2



# Partinium® program



## Electrical Parts

	PRODUCT	PART NUMBER	QTY
	ALTERNATOR GP-CHARGINGS/N WSN1-UP24-VOLT, 150-AMPERE	5613002-P	1
	BATTERY GP(12-VOLT, MAINTENANCE FREE, WET)	1535710-P	4
	STARTING MOTOR GP-ELECTRIC(24-VOLT)(LH)	4227553-P	1
	STARTING MOTOR GP-ELECTRIC(RH)	4227555-P	1

## Air conditioning

	PRODUCT	PART NUMBER	QTY
	COMPRESSOR GP-REFRIGERANTS/N WSN1-UP	3249711-P	1
	COMPRESSOR GP-REFRIGERANTS/N WSN1-UP	5073868-P	1
	DRYER AS-REFRIGERANT	3551793-P	1

## Cab parts

	PRODUCT	PART NUMBER	QTY
	GLASS	3168854-P	1
	GLASS	3406625-P	1
	GLASS	3423550-P	1
	GLASS	4534794-P	1
	MIRROR(EXTERIOR, REAR)(LH)	2204050-P	1
	MIRROR AS(EXTERIOR, REAR, RH)	3485709-P	1

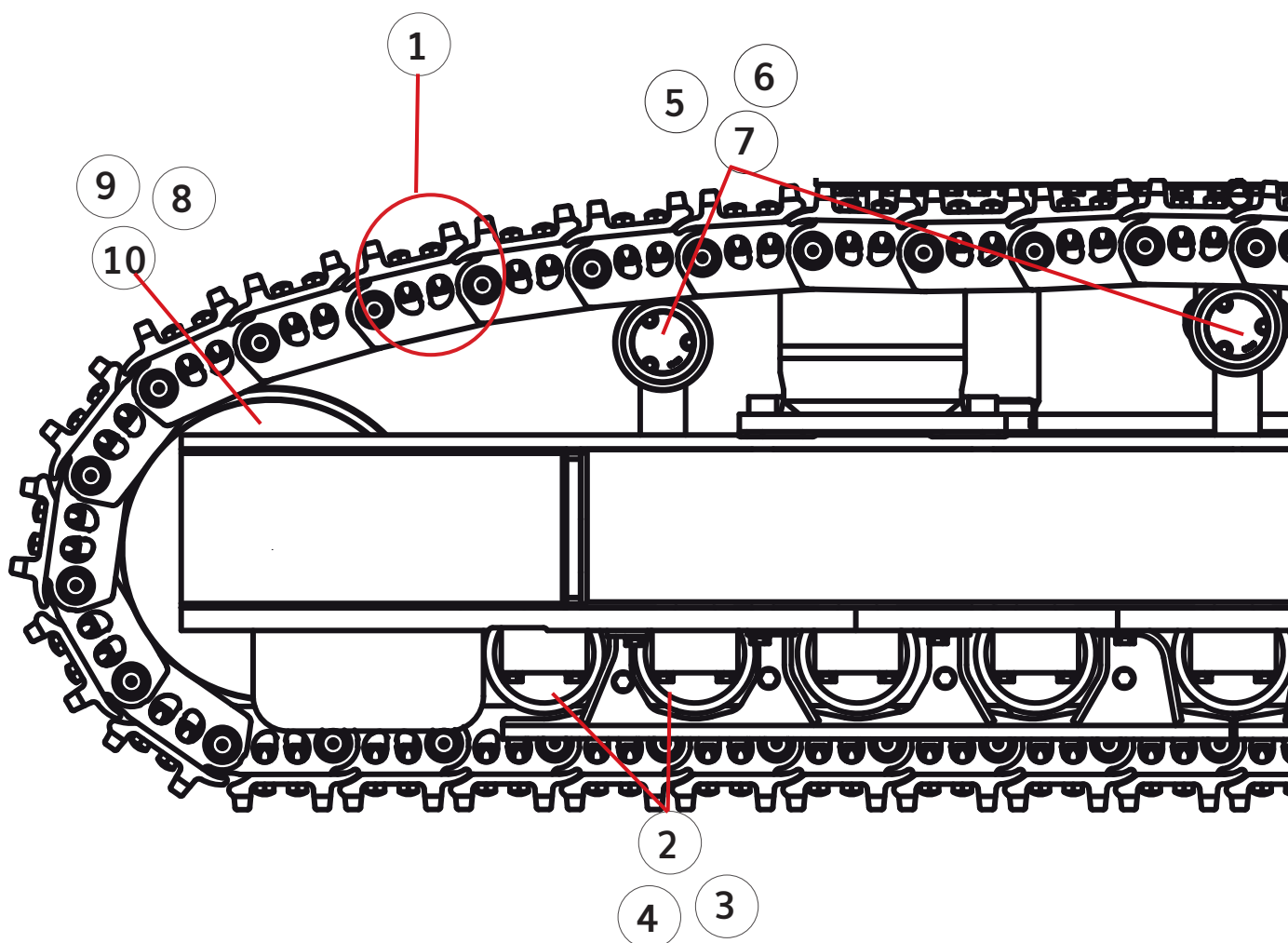
## Hydraulic

	PRODUCT	PART NUMBER	QTY
	MOTOR GP-TRAVEL -LHS/N WSN1-UP	4288036-P	1
	MOTOR GP-TRAVEL -RHS/N WSN1-UP	4208638-P	1
	MOTOR GP-PISTON -SWINGS/N WSN1-UP	3731704-P	2
	SEAL-O-RING	8F8733-P	2
	MOTOR GP-PISTON -ENGINE COOLING FANS/N WSN1-UP	4226415-P	1
	MOTOR GP-PISTON -HYDRAULIC OIL COOLING FANS/N WSN1-UP	1597147-P	1
	SEAL-O-RING	2D8009-P	1
	PUMP GP-MAIN HYDRAULIC -IMPLEMENT, TANDEMS/N WSN1-UP	4208636-P	1
	PUMP GP-PISTON -IMPLEMENTS/N WSN1-UP	4208637-P	1
	PUMP GP-PISTON -ENGINE COOLING FANS/N WSN1-UP	4288035-P	1
	CONE-BEARING	6V4635-P	1
	CUP-BEARING	6V4636-P	1
	RING-RETAINING	1431452-P	1

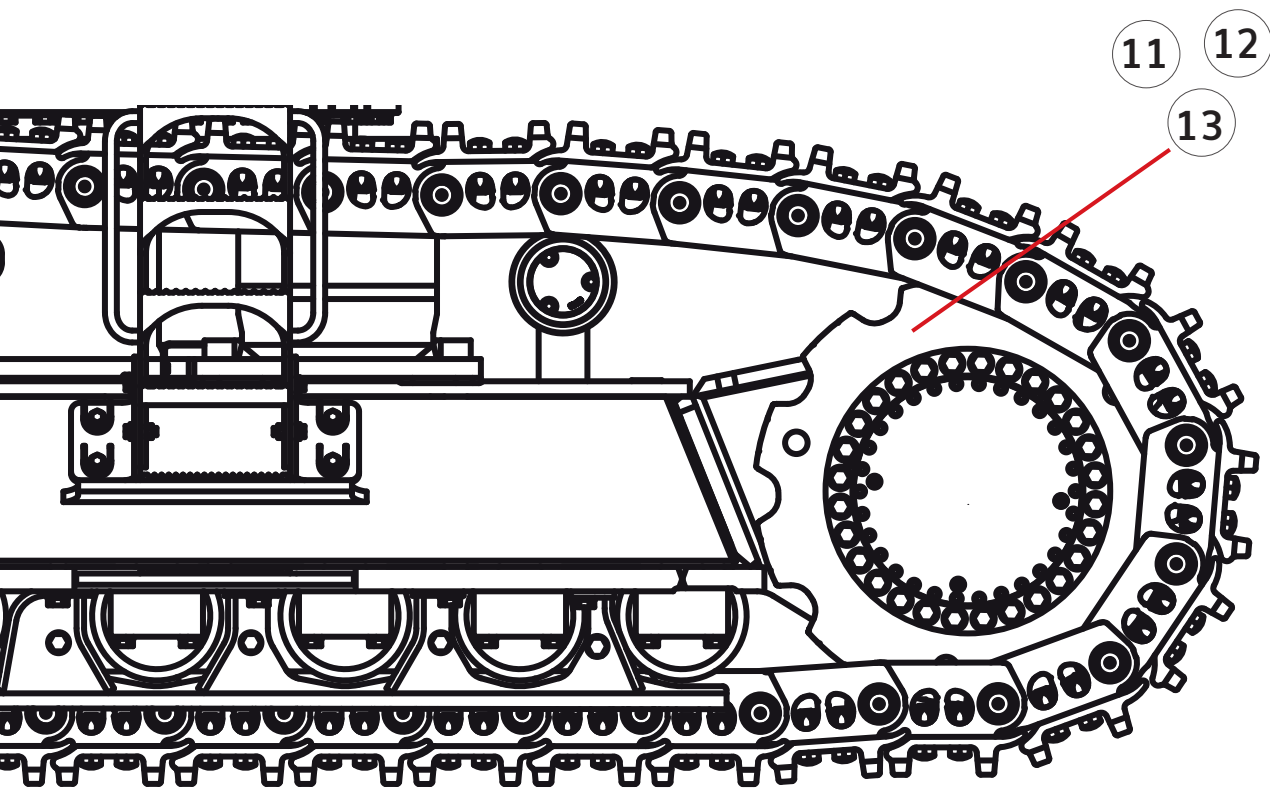




N°	Product	Part number CAT	Haladjian Part number	Qty
1	Track GP	4304199	K2B15200M46700	2
2	Bottom roller	2307162	A2B15000M00	18
3	Bottom roller Bolt	7X2586	TH30180/350D	72
4	Bottom roller Washer	9X8399	9X8399	72
5	Carrier roller	4304195	C2B15100M00	6
6	Carrier Bolt	6V8132	TH24120/300D	12
7	Carrier Washer	8T4167	8T4167	12
8	Idler	4304193	P2B15400M00	2
9	Idler bolt	1638682	TH30200/350D	8
10	Idler washer	6I7081	6I7081	8
11	Sprocket	4304192	R2B15000M01	2
12	Sprocket Bolt	7X2586	TH30180/350D	56
13	Sprocket Washer	1371258	1371258	56

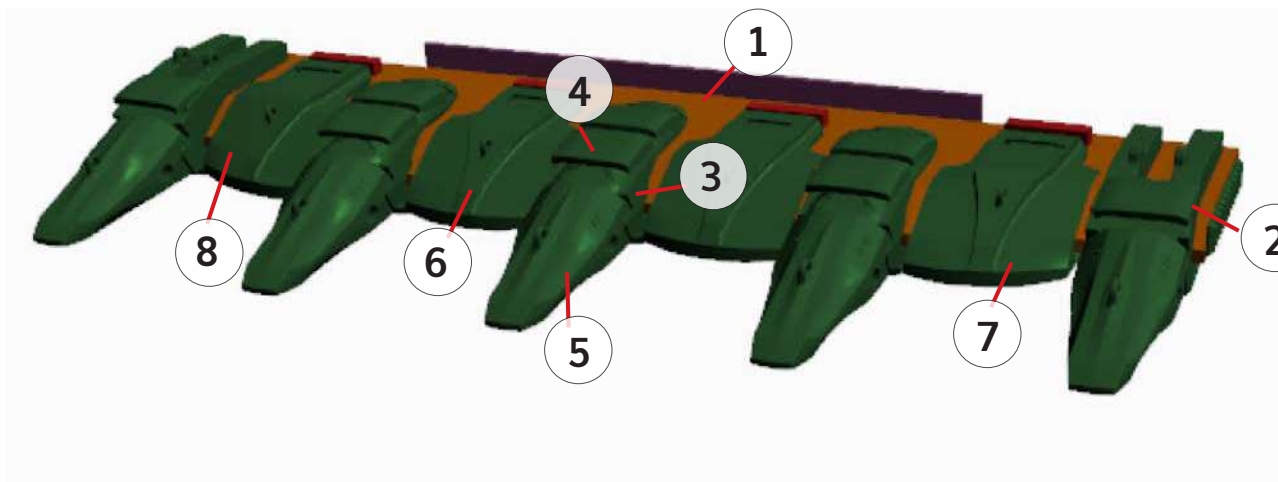






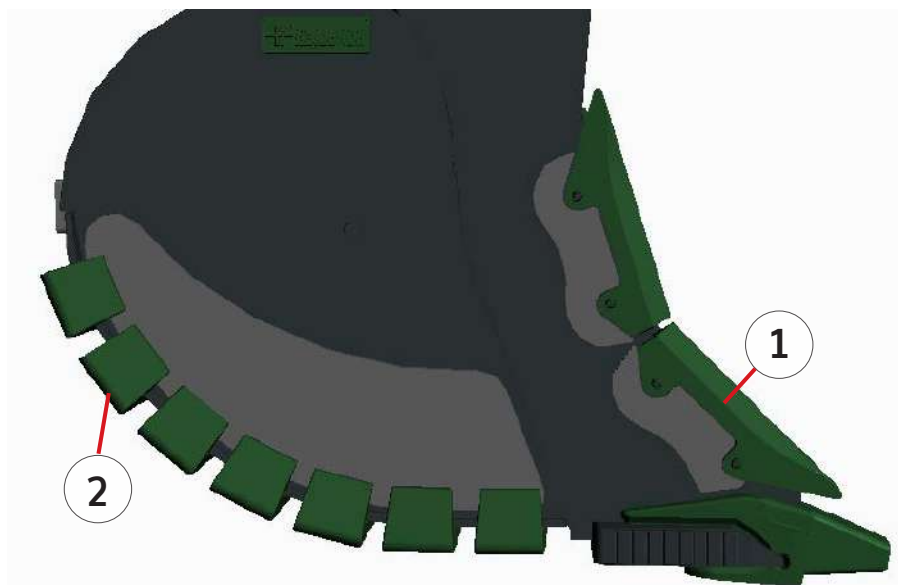
# Nemisys® - N70

 Bucket 8,1m<sup>3</sup> / 2320 mm Inner width

 Upload Bucket Performances  
 more informations p. 15


## ESCO NEMISYS **New System**

N°	Product	Part Number	Qty
1	EDGE	HALF SPADE 100 mm	1
2	STRADDLE LEG	N70-H100X30WS	2
3	CENTRAL ADAPTER	N70-H100X30W	3
4	WEAR CAP	N70HWC	3
5	TOOTH	N70S	5
6	CENTRAL LIP SHROUD	TBC100X320-1A	2
7	RIGHT LIP SHROUD	TBC100X320-2RB	1
8	LEFT LIP SHROUD	TBC100X320-2LB	1
9	BOSS	TBB	4
10	PIN	TBP	4



## WEAR KIT

N°	Product	Part Number
1	WING SHROUD	3295957-HF
2	CORNER WEAR SHOES	BFF-2
3	Infinity wear buttons Ø 50 mm TH 25 mm	WB50
	Infinity wear buttons Ø 75 mm TH 25 mm	WB75
	Infinity wear buttons Ø 90 mm TH 30 mm	WB90
	Infinity wear buttons Ø 115 mm TH 32 mm	WB115
	Infinity wear buttons Ø 150 mm TH 35 mm	WB150
4	Infinity wear bars width 25 mm TH 23 mm	CB25
	Infinity wear bars width 38 mm TH 23 mm	CB40
	Infinity wear bars width 50 mm TH 23 mm	CB50
	Infinity wear bars width 65 mm TH 23 mm	CB65
	Infinity wear bars width 90 mm TH 23 mm	CB90
	Infinity wear bars width 100 mm TH 23 mm	CB100
	Infinity wear bars width 25 mm TH 23 mm	CB130



## OUTSIDE WEAR KIT

N°	Product
1	Protection inférieure adaptateur 6810W-85SV2
2	BAR3000
3	Upper bottom wear plate
	Bended wear plate
	1 Horizontale wear part out bottom



## INSIDE WEAR KIT

N°	Product
1	fullwear plate inside bottom
2	Inside right upside Wear part
3	Inside right low side Wear part
	Inside left upside Wear part
	Inside left low side Wear part

## Partinium® program



## Electrical Parts

	PRODUCT	PART NUMBER	QTY
	BATTERY AS(12-VOLT, MAINTENANCE FREE, WET)(MAINTENANCE FREE)	1535720-P	6
	SWITCH AS-PRESSURE(CONTAMINATION CONTROL)	4401418-P	1
	CIRCUIT BREAKER (3-AMPERE)(HEATER)	4612997-P	1
	STARTING MOTOR GP-ELECTRICS/N DNR1-UP24-VOLT	3496536-P	1
	SWITCH AS-START(KEY)	4678535-P	1
	ALTERNATOR GP-CHARGING	3229743-P	1

## Cab parts

	PRODUCT	PART NUMBER	QTY
	MIRROR AS	8T2287-P	2
	PUMP AS-WASHER(24-VOLT)	4160021-P	1
	INDICATOR FILTER	4660098-P	1
	RING-BACKUP	4449640-P	4
	SEAL-O-RING	4449641-P	4
	SEAL-O-RING	3J0634-P	1

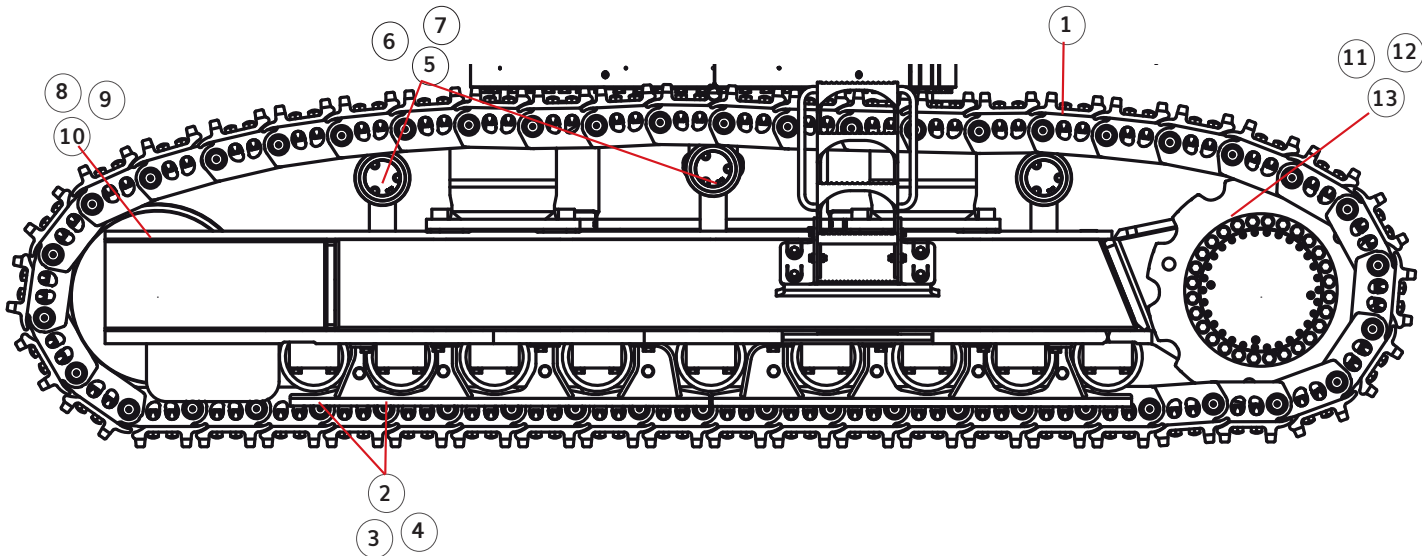
## Power Train and braking system

	Product	Part number	Qty
	DRIVE GP-FINALS/N DNR1-UP	5795651-P	1
	MOTOR GP-TRAVELS/N DNR1-UP	4370981-P	2
	Switch AS-Control(Contamination Control)	4401415-P	1
	MOTOR GP-SWINGS/N DNR1-UP	4406408-P	1
	MOTOR GP-HYDRAULIC -FANS/N DNR1-UP	5099731-P	1
	Seal-O-Ring	3E6769-P	8
	Cone-Bearing	3P1210-P	2
	PUMP GP-PISTONS/N DNR1-UP	3896779-P	1
	Switch (Power Train)	4370888-P	1
	PUMP GP-HYDRAULIC -OIL COOLERS/N DNR1-UP	4438441-P	1
	PUMP GP-HYDRAULIC -PILOTS/N DNR1-UP	4438443-P	1
	PUMP GP-GEARS/N DNR1-UP	4438444-P	1
	PUMP GP-PISTONS/N DNR1-UP	4599698-P	3
	PUMP GP-HYDRAULICS/N DNR1-UP	4794691-P	1
	PUMP & MTG GP-PISTONS/N DNR1-UP	5121045-P	1
	PUMP GP-PISTONS/N DNR1-UP	5121046-P	1
	PUMP GP-PISTONS/N DNR1-UP	5121047-P	1
	Cup-Bearing	8J0412-P	1

# TRACKS - 6020B DNR



aterpillar®  
777D 777G 777E 785C 789C 789D 793D 745C 09R D10T 6015B **6020B** 336D 330F 955H 959H 980K 992K 12M 14H 16M



N°	Product	Parts Number	Qty
1	Track link assembly 22 links + shoes 800mm	4786983	2
1	Track link assembly 23 links + shoes 800mm	4786985	2
2	Bottom Roller	4622451	16
3	Bottom roller Bolt TH30210/350D	3047356	64
4	Bottom roller Washer	1835105	64
5	Carrier roller	4749145	6
6	Carrier Bolt TH24150/300D	8C3290	24
7	Carrier Washer 8T4167	RR24	24
8	Idler	4752636	2
9	Idler Bolt TH24120/300D	8T0363	8
10	Idler Washer	4392910	8
11	Sprocket	4717760	2
12	Sprocket Spacer	4389255	72
13	Sprocket Bolt TH30200/200D	4392909	72



6020B

336D

390F

966H

989H

989K

992K

14M

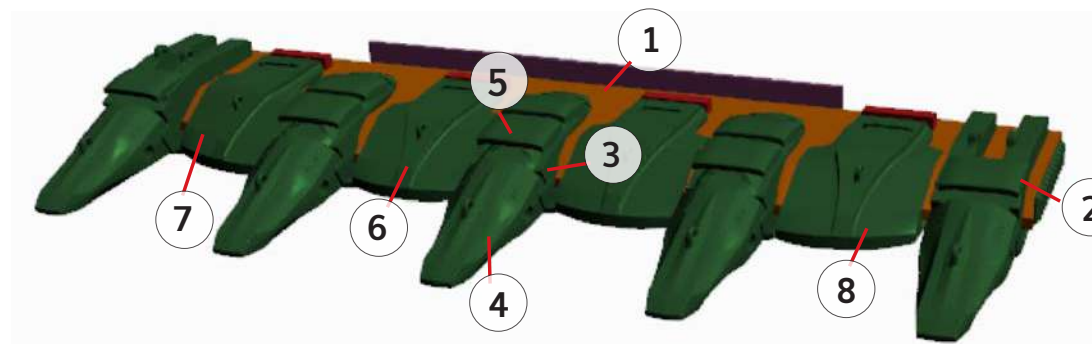
14H

16M

## Nemisys® - N70

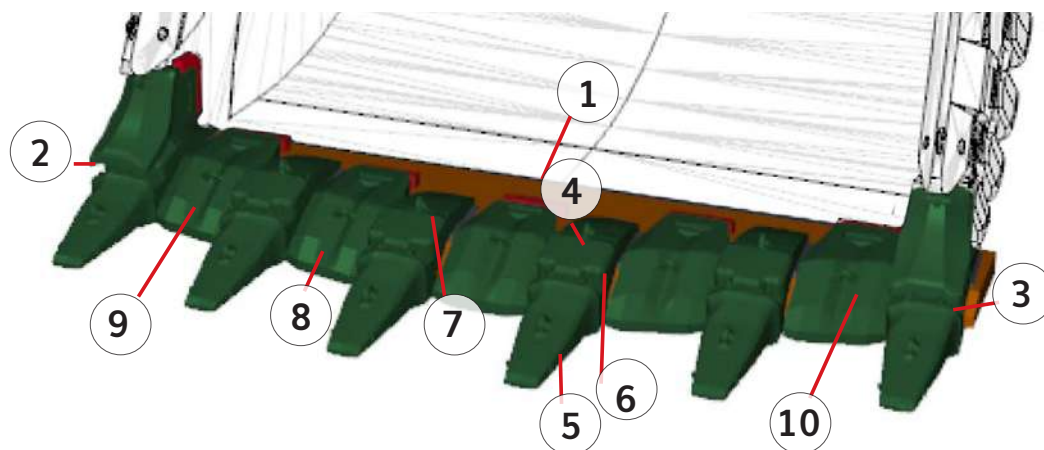
Bucket 12m³ / 3000 mm Inner width

Upload Bucket Performances  
more informations p. 15



### ESCO NEMISYS **New System**

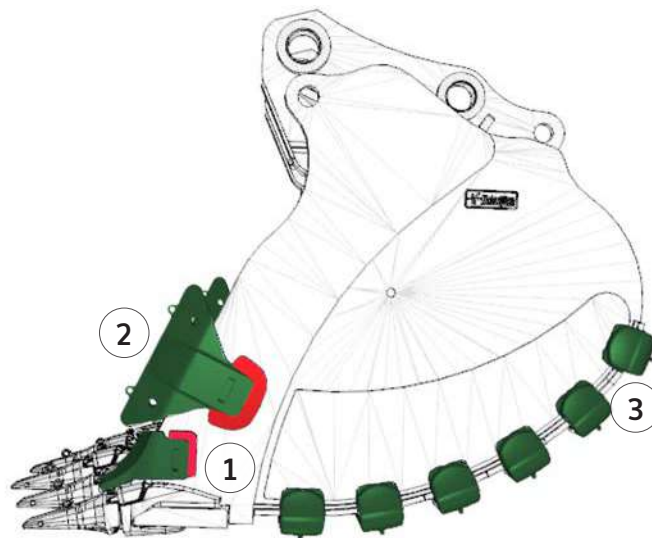
N°	Product	Part Number	Qty
1	EDGE	HALF SPADE 120 mm	1
2	STRADDLE LEG	N90-H120X30WS	2
3	ADAPTER	N90-H120X30W	3
4	TOOTH	N90S	5
5	WEAR CAP	N90HWC	13
6	LIP SHROUD	TBC120X440-1B	2
7	LIP SHROUD	TBC120X440-2LB	1
8	LIP SHROUD	TBC120X440-2RB	1
9	BOSS	TBB	4
10	PIN	TBP	4



### HD ESCO Conversion High abrasion

N°	Product	Part Number	Qty
1	EDGE	HALF SPADE 120 mm	1
2	INTEGRAL NOSE LEFT	IN-85SV2L1	1
3	INTEGRAL NOSE RIGHT	IN-85SV2R1	1
4	CENTRAL ADAPTER	6810W-85SV2	3
5	TOOTH	85SV2SD	5
6	PIN	85SV2PN-C	5
7	WEAR CAP	WC285	3
8	LIP SHROUD	TBC120X440-1B	2
9	LIP SHROUD	TBC120X440-2LB	1
10	LIP SHROUD	TBC120X440-2RB	1
11	BOSS	TBB	4
12	PIN	TBP	4





## WEAR KIT

N°	Product	Part Number
1	LOWER WING SHROUD	TAW75-1
2	WING SHROUD	TBW75X545-1A
3	CORNER WEAR SHOES	BFF-7
	Infinity wear buttons Ø 50 mm TH 25 mm	IB50
	Infinity wear buttons Ø 75 mm TH 25 mm	IB75
	Infinity wear buttons Ø 90 mm TH 30 mm	IB90
	Infinity wear buttons Ø 115 mm TH 32 mm	IB115
	Infinity wear buttons Ø 150 mm TH 35 mm	IB150
	Infinity wear bars width 25 mm TH 23 mm	CB25
	Infinity wear bars width 38 mm TH 23 mm	CB40
	Infinity wear bars width 50 mm TH 23 mm	CB50
	Infinity wear bars width 65 mm TH 23 mm	CB65
	Infinity wear bars width 90 mm TH 23 mm	CB90
	Infinity wear bars width 100 mm TH 23 mm	CB100
	Infinity wear bars width 25 mm TH 23 mm	CB130



## OUTSIDE WEAR KIT

N°	Product
	6810W-85SV2
	BAR3000
	Upper bottom wear plate
	Bended wear plate
	1 Horizontale wear part out bottom



## INSIDE WEAR KIT

N°	Product
	fullwear plate inside bottom
	Inside right upside Wear part
	Inside right low side Wear part
	Inside left upside Wear part
	Inside left low side Wear part

# Partinium® program



## Electrical Parts

	PRODUCT	PART NUMBER	QTY
	ALTERNATOR GP-CHARGINGS/N TXD1-UP; THX16790-UP24-VOLT, 65-AMPERE	1855294-P	1
	BATTERY GP(12-VOLT, MAINTENANCE FREE, WET)	1152422-P	2
	STARTING MOTOR GP-ELECTRICS/N TXD1-UP; THX16790-UP24-VOLT	3383454-P	1

## Air conditioning

	PRODUCT	PART NUMBER	QTY
	COMPRESSOR GP-REFRIGERANT	3050325-P	1
	DRYER AS-REFRIGERANT (RECEIVER)	1761902-P	1
	MOTOR AS (WITH FAN)	2457839-P	1

## Implements

	PRODUCT	PART NUMBER	QTY
	BUSHING(500 SERVICE HOURS)	2285621-P	2
	BUSHING	2368561-P	2
	PIN	1893922-P	1
	PIN AS	2343931-P	1
	PIN AS	2357636-P	1
	PIN AS	2357642-P	1
	PIN AS	2512552-P	1
	PIN	2512557-P	1
	PIN AS	2512558-P	1
	BUSHING	7Y2397-P	2
	BUSHING	2285619-P	2
	BUSHING	2417231-P	2

## Cab parts

	PRODUCT	PART NUMBER	QTY
	GLASS(LH)	1516790-P	1
	GLASS	1566471-P	1
	GLASS	1566472-P	1
	WINDOW GP-CAB -FRONT, LOWERS/N J2F1-UP	1566647-P	1
	Glass(RH)	2346489-P	1

## Hydraulic

	PRODUCT	PART NUMBER	QTY
	MOTOR GP-PISTON -HYDRAULIC FANS/N J2F1-UP	2344638-P	1
	COUPLING GP-FLEXIBLES/N J2F198-UP	3244230-P	1
	BUSHING	1140760-P	1
	BUSHING	2285617-P	1
	RING-BACKUP (BLACK)	1793047-P	2
	RING-BACKUP (BROWN)	1793048-P	2
	MOTOR GP-PISTON -HYDRAULIC FANS/N J2F1-UP	2426776-P	1
	PUMP GP-PISTONS/N J2F835-UP	2590815-P	1
	VALVE GP-PUMP CONTROL -HYDRAULIC FANS/N J2F1-UP	2590907-P	1

## Frame

	PRODUCT	PART NUMBER	QTY
	PIN AS	1175435-P	2
	BUSHING	2285615-P	1

## Electrical Parts

	Product	Part number	Qty	
	ALTERNATOR GP-CHARGINGS/N TXD1-UP24-VOLT, 65-AMPERE	1855294-P	1	
	BATTERY N/R	1152422-P	2	
	STARTING MOTOR GP-ELECTRICS/N TXD1-UP24-VOLT	3383454-P	1	

## Engine Parts

	Product	Part number	Qty	
	MOTOR GP-PISTON -HYDRAULIC FANS/N WDC1-UP; YCF1-UP	2344638-P	1	
	BALL BEARING	4B3665-P	2	

## Air conditioning

	Product	Part number	Qty	
	DRYER AS-REFRIGERANT (RECEIVER)	1761902-P	1	
	COIL GP-EVAPORATORS/N WDC1-UP; YCF1-UP	3532151-P	1	
	MOTOR AS(WITH FAN)	2457839-P	1	

## Implements

	Product	Part number	Qty	
	BUSHING(500 SERVICE HOURS)	2285621-P	2	
	BUSHING(1000 SERVICE HOURS)	2368561-P	2	
	PIN	1893922-P	1	
	BUSHING(500 SERVICE HOURS)	2285615-P	2	
	PIN AS	2357636-P	1	
	PIN AS	2357642-P	1	
	PIN AS	2512552-P	1	
	PIN	2512557-P	1	
	PIN AS	2512558-P	1	
	BUSHING	7Y2397-P	2	
	BUSHING	2285619-P	2	
	BUSHING	2291096-P	2	
	BUSHING	2402913-P	2	
	BUSHING	2417231-P	2	
	BUSHING(1000 SERVICE HOURS)	2444277-P	2	

## Cab parts

	Product	Part number	Qty	
	GLASS	1566471-P	1	
	GLASS	1566472-P	1	
	GLASS	1566474-P	1	
	GLASS	1566475-P	1	
	WINDOW GP-CAB -FRONT, LOWERS/N WDC1-UP; YCF1-UP	1566647-P	1	

## Hydraulic

	Product	Part number	Qty	
	COUPLING GP-FLEXIBLES/N WDC1-UP; YCF1-UP	3244230-P	1	
	ELEMENT-COUPLING	3244231-P	1	
	BUSHING	1140760-P	1	
	BUSHING	2285617-P	1	
	SEAL-O-RING	0951681-P	1	
	SEAL-O-RING	1232003-P	2	
	RING-BACKUP (BLACK)	1793047-P	2	
	RING-BACKUP(BROWN)	1793048-P	2	
	SEAL-O-RING	8T6404-P	1	
	PUMP GP-PISTONS/N WDC1-UP; YCF1-UP	2590815-P	1	
	VALVE GP-PUMP CONTROL -HYDRAULIC FANS/N WDC1-UP; YCF1-UP	2590907-P	1	
	PUMP GP-PISTON & GEARS/N WDC1-UP; YCF694-UP	4978499-P	1	

## Cab parts

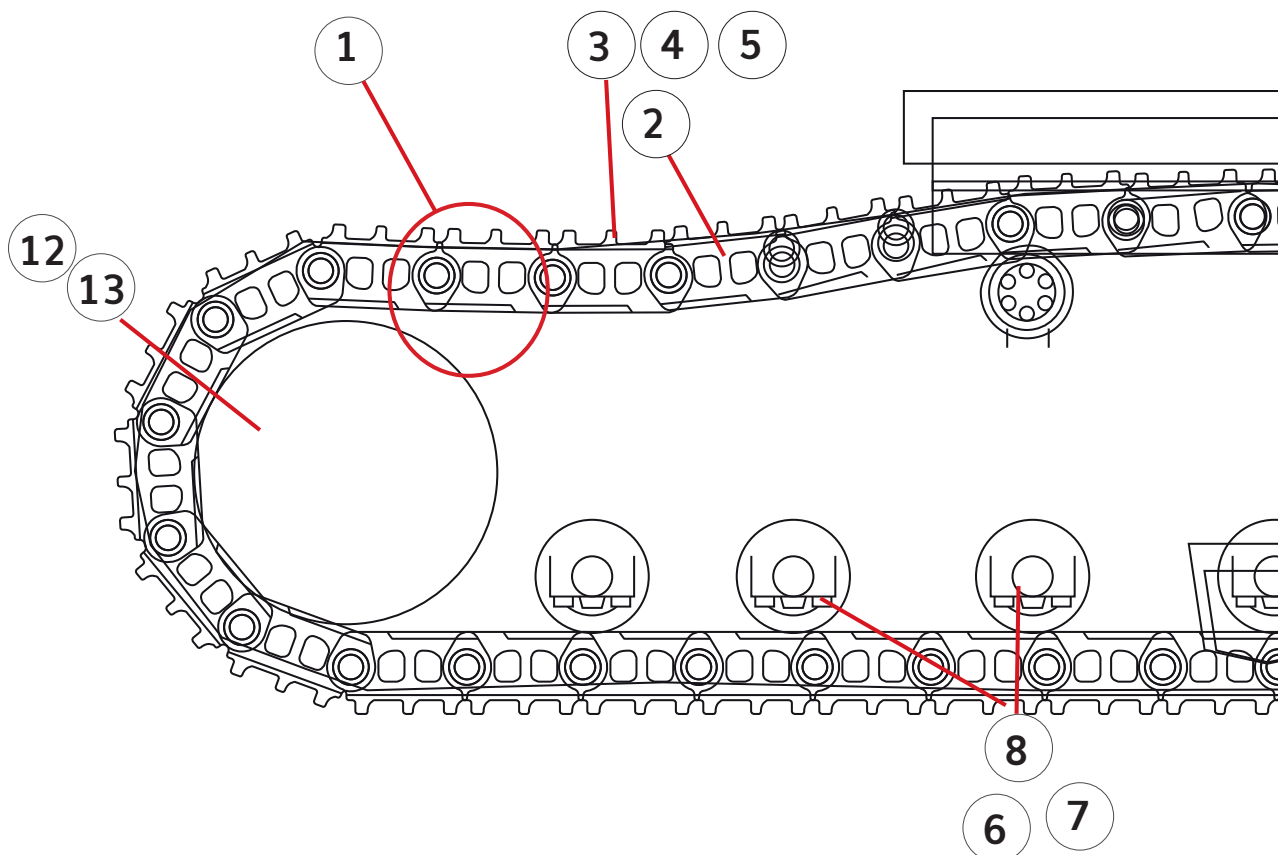
	Product	Part number	Qty	
	PIN AS	1175435-P	2	

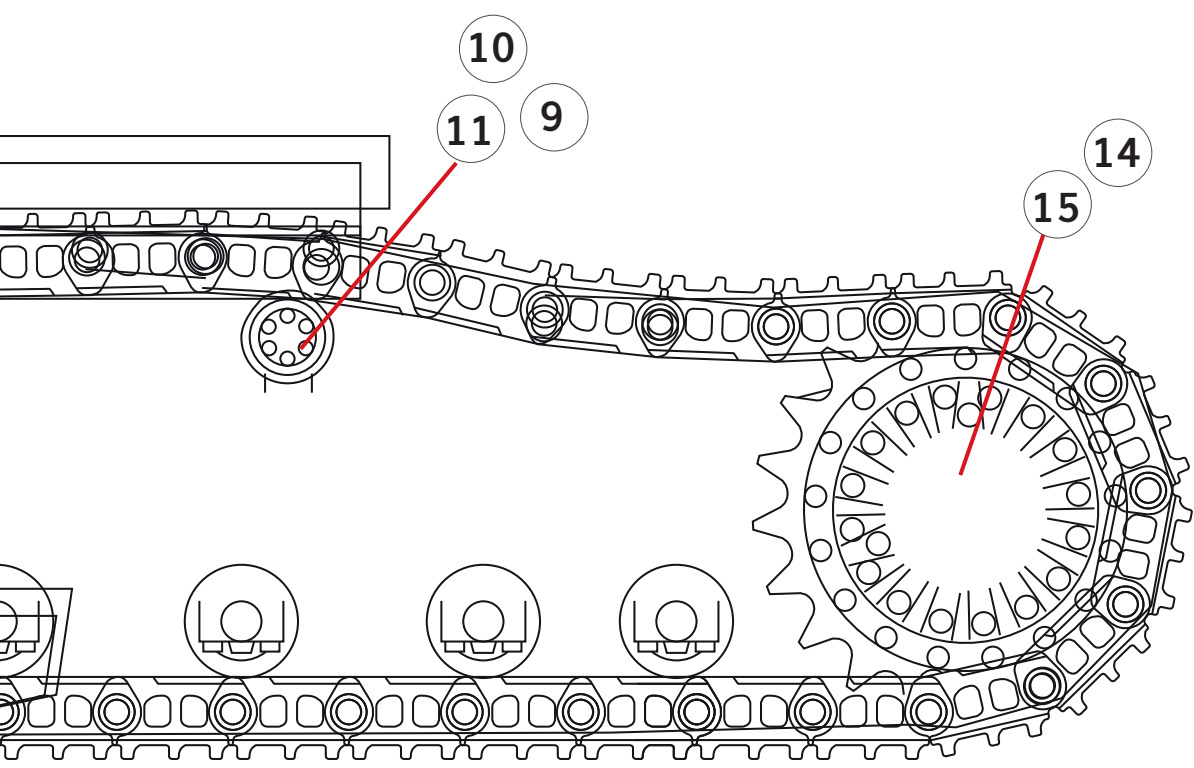


Upload Bucket Performances  
 more informations p. 15



N°	Product	Part number	Qty required / machine
1	Track GP	SI1269/49/600	2
2	Link Ass	SI1269/49	2
3	Shoes	CR5929/600	98
4	Shoes bolt	CR5922	392
5	Shoes nuts	CR5923	392
6	Tracks rollers SF	CR7876	18
7	Tracks rollers bolt	TH24110/300D	72
8	Tracks rollers washer	8T4167-HF	72
9	Carrier rollers	CR5595	4
10	Carrier rollers bolt	TH24090/300D	4
11	Carrier rollers washer	RR24	4
12	Idlers	CR6087	2
13	Idlers bolt	TH20050/250D	8
14	Sprocket	CR6997	2
15	Sprocket bolt	TH24060/300D	32





## Partinium® program



### Electrical Parts

	PRODUCT	PART NUMBER	QTY
Alternator	ALTERNATOR GP-CHARGING 24-VOLT, 95-AMPERE	2267683-P	1
Battery	BATTERY GP(12-VOLT, MAINTENANCE FREE, WET)	1535710-P	2
Starting motor	STARTING MOTOR GP-ELECTRIC	3496536-P	1

### Engine Parts

	PRODUCT	PART NUMBER	QTY
Cooling system	REGULATOR-WATER TEMPERATURE (92-DEG C)	2485513-P	2
Crankshaft	SEAL-CRANKSHAFT (FRONT)	1425867-P	1
Fan	BALL BEARING	4B3665-P	2
	BUSHING	7N2156-P	2

### Air conditioning

	PRODUCT	PART NUMBER	QTY
Compressor	COMPRESSOR GP-REFRIGERANT	5327322-P	1
Dryer	DRYER-REFRIGERANT(RECEIVER)	3276558-P	1

### Cab parts

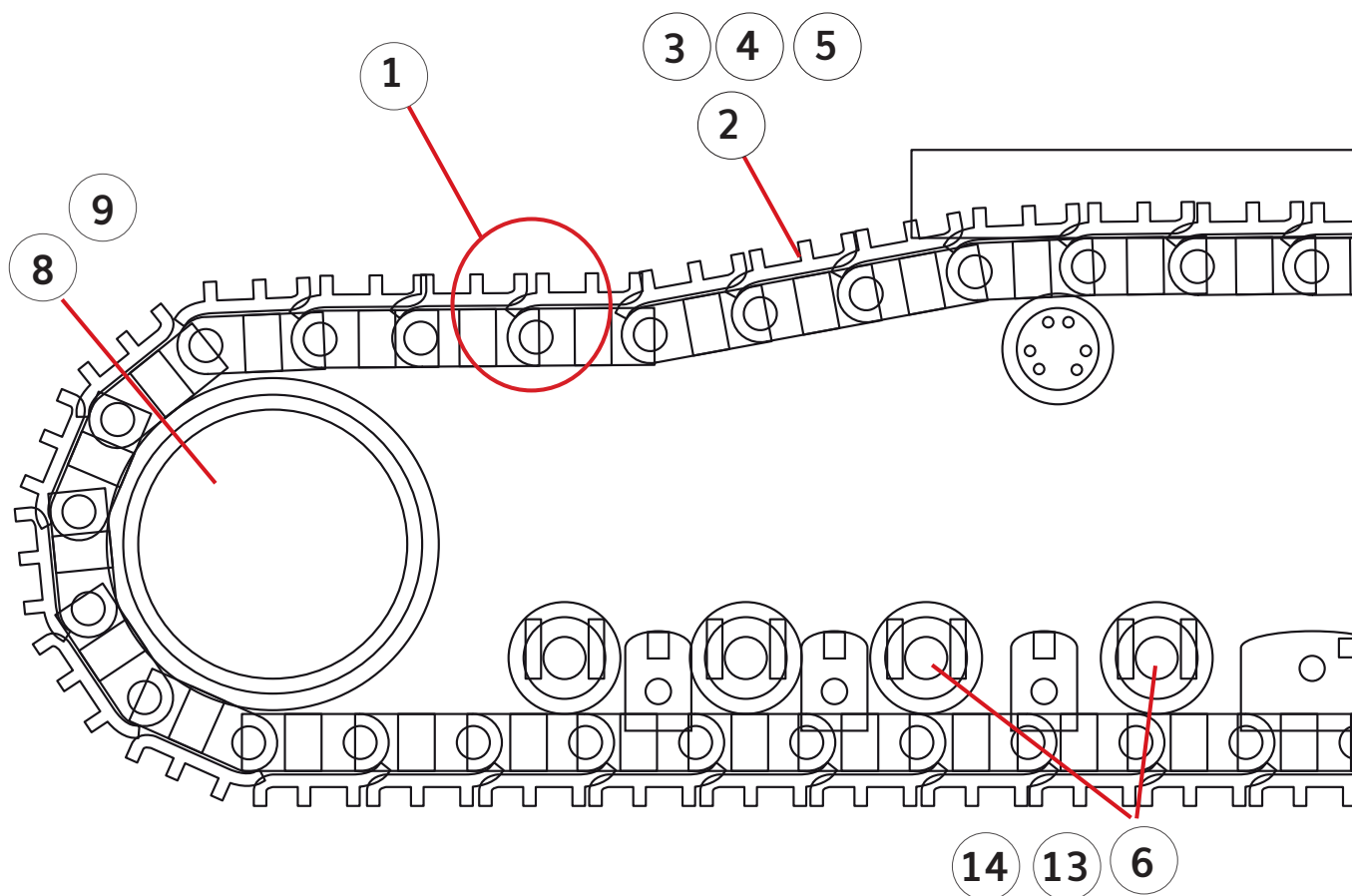
	PRODUCT	PART NUMBER	QTY
Glass	GLASS	3346533-P	1
	GLASS	3406625-P	1
	GLASS	3423550-P	1
	GLASS	3423573-P	1
	GLASS	3835582-P	1
	GLASS	4534794-P	1
	GLASS	3168854-P	1
Mirror	MIRROR	5P6879-P	1

### Hydraulic

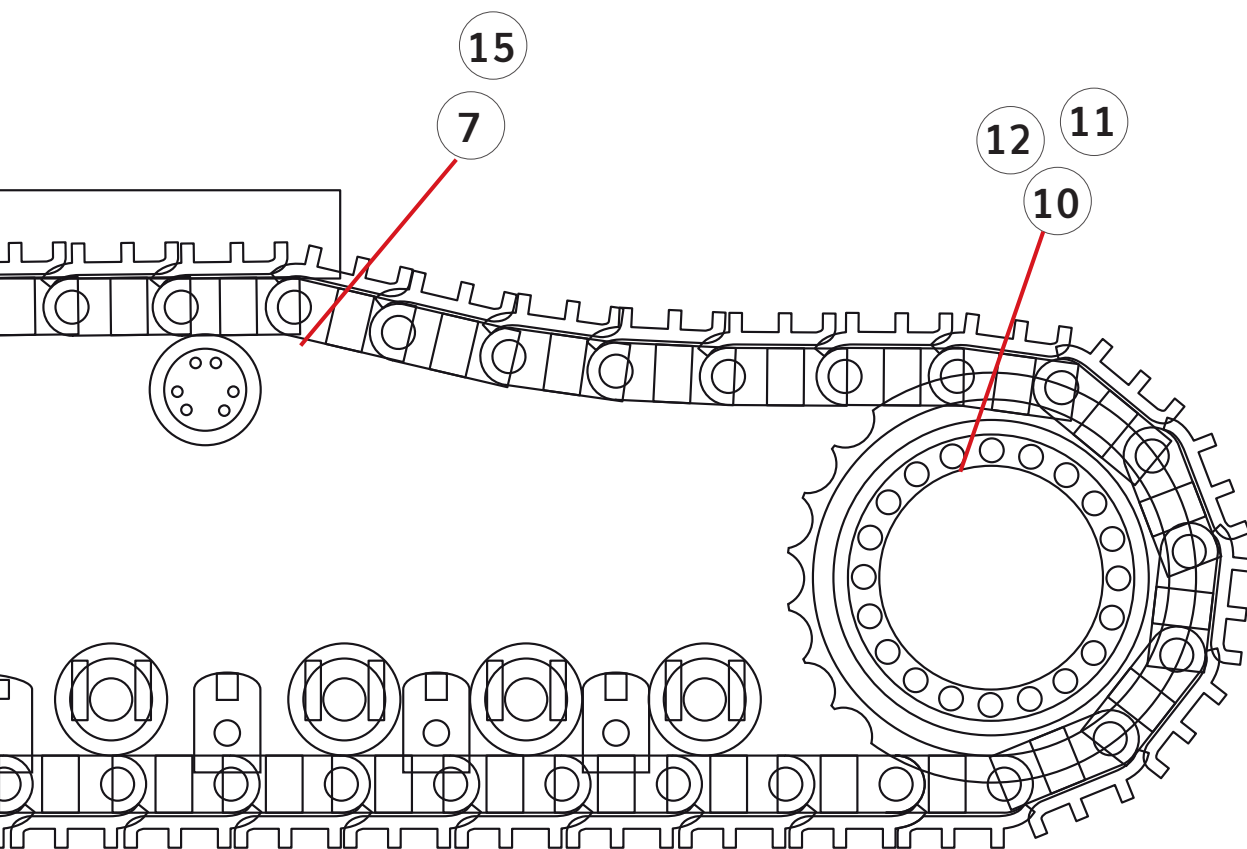
	PRODUCT	PART NUMBER	QTY
Pump	PUMP GP-MAIN HYDRAULIC	3699655-P	1
	PUMP GP-PISTON -FAN, PILOT	4489705-P	1
	PUMP GP-MAIN HYDRAULIC	5763072-P	1
	CUP-BEARING	6V4636-P	1



N°	Product	Part number	Qty required / machine
1	Track GP	LH1834/51/650	2
2	Link assembly	LH1352/51	2
3	Shoes	VA1600/650	102
4	Shoes bolt	LH2749	408
5	Shoes nuts	CR3835	408
6	Tracks rollers SF	CR6378	18
7	Carrier rollers	CR6382	6
8	Idlers	CR6380	2
9	Idlers bolt	TH24020/300D	8
10	Sprocket	CR7302	2
11	Sprocket bolt	TH30085/350D	56
12	Sprocket washer	RR30	56
13	Roller bolt	TH30150/350D	72
14	Roller washer	RR30	72
15	Carrier bolt	TH30140/350D	6







## Partinium® program



## Electrical Parts

	PRODUCT	PART NUMBER	QTY
Alternator	ALTERNATOR GP-CHARGING 24-VOLT, 80-AMPERE	2357133-P	1
Battery	BATTERY GP(12-VOLT, MAINTENANCE FREE, WET)	1152422-P	2
	BATTERY GP(12-VOLT, MAINTENANCE FREE, WET)	1535710-P	2
Starting motor	STARTING MOTOR GP-ELECTRIC S/N A6G1-1682	1654619-P	1
	STARTING MOTOR GP-ELECTRIC S/N A6G1682-UP	3639839-P	1

## Engine Parts

	PRODUCT	PART NUMBER	QTY
Belts, tensioners and pulleys	BELT-SERPENTINE	3341624-P	1
	BELT-SERPENTINE(A/C COMPRESSOR)	3341623-P	1
GP Water	REGULATOR-WATER TEMPERATURE(92-DEG C)(COOLANT)	2485513-P	1
Turbocharger	TURBOCHARGER GP	2472957-P	1

## Air conditioning

	PRODUCT	PART NUMBER	QTY
Accumulator	Accumulator-Refrigerant	1866189-P	1
Compressor	Compressor GP-Refrigerant	4649988-P	1

## Power Train

	PRODUCT	PART NUMBER	QTY
Shaft line	UNIVERSAL JOINT GP	3299658-P	1
	Spider & Bearing GP	1258810-P	2
	YOKE BRAKE	1793185-P	1
		5P6879-P	1

## Cab parts

	PRODUCT	PART NUMBER	QTY
Glass	Glass(Front)	1732142-P	1
	Glass(Front, RH)	1732143-P	1
	Glass(Front, LH)	1732144-P	1
	Glass-Fixed	1857525-P	1
	MOTOR GP-WINDOW WIPER -FRONT	1898622-P	1
Wiper	MOTOR GP-WINDOW WIPER	3305050-P	1

## Hydraulic

	PRODUCT	PART NUMBER	QTY
Pump	PUMP GP-PISTON -BRAKE, HYDRAULIC FAN	2545147-P	1

## Frame

	PRODUCT	PART NUMBER	QTY
body	PIN AS	7V6715-P	2
	Bushing	4V8675-P	2
	Seal-Lip Type	7K9205-P	4
	PIN AS	3461656-P	1
	Bushing	2274342-P	1
	Seal-Lip Type	7K9212-P	8



# Partinium® program



## Electrical Parts

	PRODUCT	PART NUMBER	QTY
Alternator	ALTERNATOR GP-CHARGING	3991457-P	1
Battery	BATTERY GP(12-VOLT, MAINTENANCE FREE, WET)	1535710-P	2
Starting motor	STARTING MOTOR GP-ELECTRIC	2517593-P	1

## Engine Parts

	PRODUCT	PART NUMBER	QTY
Belts, tensioners and pulleys	BELT-SERPENTINE	3341623-P	1
Cooling system	MOTOR GP-PISTON	3346234-P	1

## Air conditioning

	PRODUCT	PART NUMBER	QTY
Accumulator	ACCUMULATOR-REFRIGERANT	1866189-P	1
Compressor	COMPRESSOR GP-REFRIGERANT	4649988-P	1
	DRYER AS-REFRIGERANT(IN-LINE)	2573226-P	1
Dryer	KIT-COIL(AIR CONDITIONER)	2160805-P	1
	COUPLING AS-REFRIGERANT (SELF-SEALING)	5P3929-P	1

## Cab parts

	PRODUCT	PART NUMBER	QTY
Glass	GLASS(FRONT)	1732142-P	1
	GLASS(FRONT, RH)	1732143-P	1
	GLASS(FRONT, LH)	1732144-P	1
	GLASS-FIXED	1857525-P	1
Mirrors	MIRROR AS	1853874-P	2
	MIRROR AS(HEATED)	2028649-P	1
Seats	HARNES AS-VALVE(SEAT AIR COMPRESSOR)	1927805-P	1
Steering	KIT-GAS SPRING	3199511-P	1
Window	PUMP AS-WASHER	4160023-P	2
Wiper	MOTOR GP-WINDOW WIPER	1898622-P	1

## Hydraulic

	PRODUCT	PART NUMBER	QTY
Pump	PUMP GP-PISTON	2545147-P	1
	MOTOR GP-ELEC HYD PUMP(SECONDARY STEERING)	3898169-P	1
Steering cylinder	BUSHING	9J7099-P	2
	BUSHING	9J7100-P	1
	BEARING-SELF-ALIGNING	9M1328-P	1

## Power train and braking system

	PRODUCT	PART NUMBER	QTY
Axle	CONE-BEARING	1326597-P	1
	CUP-BEARING(TAPERED ROLLER)	5M6592-P	2
	CUP-BEARING	6B4370-P	1
	CONE-BEARING(TAPERED ROLLER)	6B4852-P	2
	CUP-BEARING	6K5528-P	1
	CONE-BEARING	6K5529-P	1
	CONE-BEARING	6Y2546-P	2
	CONE-BEARING	8S9075-P	1
	CUP-BEARING	8S9076-P	1
	SEAL GP-DUO-CONE	9G5317-P	2
Braking system	ACTUATOR AS-PARKING BRAKE	2060408-P	1
	SPIDER & BEARING GP	1258810-P	2
Shaft line	YOKE BRAKE	1793185-P	1
	UNIVERSAL JOINT GP -DRIVE SHAFT, FRONT	3299658-P	1
	STRAP	4V7081-P	10
Torque converter	BALL BEARING	1F2771-P	1
	CONE-BEARING	2K5065-P	2
Transmission	CUP-BEARING	2P8986-P	2
	CONE-BEARING	2P8987-P	2
	CUP-BEARING	5P2526-P	2

## Frame

	PRODUCT	PART NUMBER	QTY
Body	CONE-BEARING	7D8636-P	2
	CUP-BEARING	7D8637-P	2
	CUP-BEARING	1B3934-P	2
	PIN AS	1152955-P	1
	PIN AS	1386674-P	2
	PIN AS	1386685-P	2
	PIN	5T8417-P	2
	PIN AS	7V6715-P	2
	CONE-BEARING	3F7183-P	2
	PIN AS	3399833-P	1
	PUMP GP-LUBRICATION	3418583-P	1
	PUMP GP-LUBRICATION	3431849-P	1
	PIN AS	4E3196-P	2
	PIN AS	3461656-P	1
	PIN AS	4V7101-P	1
	BUSHING	4V8519-P	1
	BUSHING	4V8520-P	2
	BUSHING	4V8674-P	2
	BUSHING	4V8675-P	2
	ACTUATOR GP-POWER	4793060-P	1

## Partinium® program



## Electrical Parts

	PRODUCT	PART NUMBER	QTY
Battery	BATTERY GP(12-VOLT, MAINTENANCE FREE, WET)	1535710-P	2
Startingmotor	SOLENOID AS-STARTING MOTOR(24-VOLT)	3383453-P	1
	STARTING MOTOR GP-ELECTRIC	3639839-P	1

## Engine Parts

	PRODUCT	PART NUMBER	QTY
Belts, tensioners and pulleys	BELT-SERPENTINE	3341623-P	1
	BELT-SERPENTINE	3341624-P	1
Compressor	PULLEY AS-IDLER	1445611-P	1
Cooling system	MOTOR GP-PISTON	3346234-P	1
Miscellaneous	RELAY(SECONDARY STEERING MOTOR)	1836970-P	1
	DLER GP-BELT -ALTERNATOR, REFRIGERANT COMPRESSOR	1921563-P	1

## Air conditioning

	PRODUCT	PART NUMBER	QTY
Accumulator	ACCUMULATOR-REFRIGERANT	1866189-P	1
Compressor	COMPRESSOR GP-REFRIGERANT	4649988-P	1
Dryer	DRYER AS-REFRIGERANT(IN-LINE)	2573226-P	1
Miscellaneous	SWITCH AS-PRESSURE(HIGH, LOW)	1145333-P	1
	COUPLING AS-REFRIGERANT(SELF-SEALING)(SELF SEALING)	5P3929-P	1

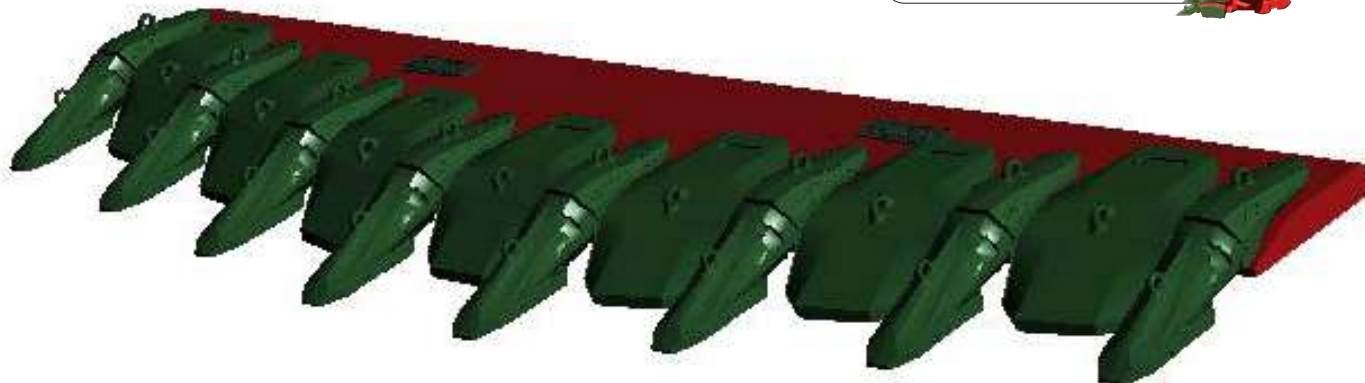
## Cab parts

	PRODUCT	PART NUMBER	QTY
Glass	GLASS (FRONT)	1732142-P	1
	GLASS(FRONT, RH)	1732143-P	1
	GLASS(FRONT, LH)	1732144-P	1
	GLASS-FIXED	1857525-P	1
Mirrors	MIRROR AS(HEATED)	2028649-P	1
	MIRROR	5P6879-P	1
Seats	HARNES AS-VALVE(SEAT AIR COMPRESSOR)	1927805-P	1
Window	PUMP AS-WASHER	4160023-P	2
Wiper	MOTOR GP-WINDOW WIPER	1898622-P	1
	MOTOR GP-WINDOW WIPER	3305050-P	1
Steering	KIT-GAS SPRING	3199511-P	1

## Hydraulic

	PRODUCT	PART NUMBER	QTY
Cylinder	RING-WEAR	7J9885-P	1
	SEAL-LIP TYPE	7K9209-P	2
	SEAL-LIP TYPE	7K9211-P	4
Pump	PUMP GP-PISTON	2545147-P	1
	MOTOR GP-ELEC HYD PUMP(SECONDARY STEERING)	3898169-P	1
Steering cylinder	RING-BACKUP	8J0548-P	1
	RING-BACKUP	4J9224-P	1
	BUSHING	9J7099-P	2
	BUSHING	9J7100-P	1
	BEARING-SELF-ALIGNING	9M1328-P	1



Upload Bucket Performances  
 more informations p. 15


### HD ESCO Conversion High abrasion

N°	Product	Part number	Qty
1	EDGE	HALF SPADE 50 mm	1
2	ADAPTER	1837A-U45	8
3	TOOTH	U45AP	8
4	LIP SHROUD CENTER	TAC50X285-1A	1
5	LIP SHROUD LEFT	TAC50X285-2L	3
6	LIP SHROUD RIGHT	TAC50X285-2R	3
8	PIN	TAP	7
7	BOSS	TAB	7





## Partinium® program



## Electrical Parts

	PRODUCT	PART NUMBER	QTY
Alternator	ALTERNATOR GP-CHARGING 24-VOLT, 95-AMPERE	1978820-P	2
Battery	BATTERY GP(12-VOLT, MAINTENANCE FREE, WET)	1152422-P	4
Starting motor	STARTING MOTOR GP-ELECTRIC	3383454-P	1
	SOLENOID AS-STARTING MOTOR(24-VOLT)	3383453-P	1

## Engine Parts

	PRODUCT	PART NUMBER	QTY
Belt tensioners	Belt-Serpentine	1906560-P	1

## Air conditioning

	PRODUCT	PART NUMBER	QTY
Accumulator	Accumulator-Refrigerant	1866189-P	1
Compressor	COMPRESSOR GP-REFRIGERANT	2180324-P	1
Coupling	Coupling AS-Refrigerant(Self-Sealing)	5P3929-P	1
Dryer	Dryer AS-Refrigerant(In-Line)	2573226-P	1

## Cab parts

	PRODUCT	PART NUMBER	QTY
Mirror	Mirror AS	1853874-P	2
	Mirror	5P6879-P	1
	Harness AS-Valve(Seat Air Compressor)	1927805-P	1
Suspension			
Wipers	MOTOR GP-WINDOW WIPER -FRONT	1555790-P	1
	MOTOR GP-WINDOW WIPER	3305050-P	1

## Hydraulic

	PRODUCT	PART NUMBER	QTY
Actuator	Pin-Roll	3C8388-P	2
Motor	MOTOR GP-PISTON -HYDRAULIC FAN	2135268-P	1
Pumps	Cone-Bearing	1B3908-P	1
	Cone-Bearing	1B3909-P	1
	PUMP GP-PISTON -STEERING	1539624-P	1
	PUMP GP-PISTON	3849437-P	1
	Cup-Bearing	6V4636-P	1
	Cone-Bearing	6Y2736-P	1

## Frame

	PRODUCT	PART NUMBER	QTY
Body	Cone-Bearing	5P9769-P	2
	Pin AS(G Pin)	1684332-P	1
	Cup-Bearing	2N3253-P	2
	Cone-Bearing	2N3254-P	2
	Cup-Bearing	5P2525-P	2
Lubrication	PUMP GP-LUBRICATION	4544835-P	1

### Power train and braking system

	PRODUCT	PART NUMBER	QTY
Differential	Cone-Bearing(Tapered Roller)	4B9373-P	1
	Cup-Bearing(Tapered Roller)	4B9374-P	1
	Cup-Bearing(Tapered Roller)	5M6592-P	1
	Cone-Bearing(Tapered Roller)	6B4852-P	1
Final drive	Plate-Outer	1186606-P	5
	Disc-Friction(Extended Life)	2010737-P	4
	Cup-Bearing	5D6298-P	1
	Cup-Bearing	6V8281-P	1
Parking brage	Seal GP-Duo-Cone	9G5321-P	1
	Parking brake	Ball Bearing	3K2518-P
Parking brake	Seal-Lip Type	7K9204-P	3
	Shaft line	Spider & Bearing GP	1060933-P
Bearing		1593945-P	1
Universal Joint AS		2T3013-P	2
Torque converter	Cup-Bearing	5P2503-P	4
	Cone-Bearing	5P2504-P	4
	Bearing AS-Roller	6V7423-P	1
Transfer box	Cone-Bearing	1B3953-P	1
	Cup-Bearing	1B3955-P	1
	Cup-Tapered	1240502-P	2
	Bearing-Inner	2H6490-P	1
	Cup-Bearing	3L9409-P	1
	Cone-Bearing	3L9410-P	1
	Cone-Bearing	7D8636-P	1
	Cup-Bearing	7D8637-P	1
	Cup-Bearing	9S7949-P	1
	Cone-Bearing	9S7950-P	1
	Seal-Lip Type	9X7743-P	1
	RING	1T1639-P	1
Transmission	Bearing AS-Roller	5M6126-P	4
	Bearing AS-Roller	5M7925-P	8
	Ball Bearing	6Y3484-P	3
	Mount AS	9W9930-P	6
Bucket	Pin AS(B Pin)	1967369-P	2

# Partinium® program



## Electrical Parts

	PRODUCT	PART NUMBER	QTY
Alternator	ALTERNATOR GP-CHARGING	5613002-P	1
Battery	BATTERY GP(12-VOLT, MAINTENANCE FREE, WET)	1152422-P	4
Starting motor	STARTING MOTOR GP-ELECTRIC	3496536-P	1

## Air conditioning

	PRODUCT	PART NUMBER	QTY
Compressor	COMPRESSOR GP-REFRIGERANT	3201291-P	1
Dryer	DRYER AS-REFRIGERANT	3551793-P	1

## Cab parts

	PRODUCT	PART NUMBER	QTY
Mirrors	MIRROR AS	2140647-P	2
	MIRROR	5P6879-P	2
Wipers	MOTOR GP-WINDOW WIPER	1898622-P	1

## Hydraulic

	PRODUCT	PART NUMBER	QTY
Motor	MOTOR GP-PISTON	2141099-P	1
	CONE-BEARING	3P1210-P	1
Pumps	PUMP GP-PISTON	3333788-P	1
	CUP-BEARING	8J0412-P	1

## Frame

	PRODUCT	PART NUMBER	QTY
Body	CONE-BEARING	5P9769-P	2
	BEARING-SLEEVE	5146766-P	4
	PIN AS.	1684332-P	1
	CUP-BEARING(TAPERED ROLLER)	4F2041-P	2
	CUP-BEARING	5P2525-P	2
Lubrication	PUMP GP-LUBRICATION	4544835-P	1

**Partinium® program**

## Power train and braking system

	PRODUCT	PART NUMBER	QTY
Differential	Cone-Bearing(Tapered Roller)	4B9373-P	1
	Cup-Bearing(Tapered Roller)	4B9374-P	1
	Cup-Bearing(Tapered Roller)	5M6592-P	1
	Cone-Bearing(Tapered Roller)	6B4852-P	1
Final drive	Plate-Outer	1186606-P	5
	Disc-Friction(Extended Life)	2010737-P	4
	Cup-Bearing	5D6298-P	1
	Cup-Bearing	6V8281-P	1
	Seal GP-Duo-Cone	9G5321-P	1
Parking brage	Ball Bearing	3K2518-P	1
Parking brake	Seal-Lip Type	7K9204-P	3
	Spider & Bearing GP	1060933-P	2
Shaft line	BEARING	1593945-P	1
	Universal Joint AS	2T3013-P	2
	Cup-Bearing	5P2503-P	4
Torque converter	Cone-Bearing	5P2504-P	4
	Bearing AS-Roller	6V7423-P	1
	Mount AS	9W9930-P	6
Transmission			
Bucket	Bushing	3744658-P	2
Linkage	PIN AS	3474977-P	3

777E

777D

777S

777E

785C

785C

789D

793D

793D

793D

793D

793D

793D

793D

793D

793D

793D

793D

793D

793D

793D

793D

793D

793D

793D

793D

793D

793D

793D

793D

793D

793D

793D

793D

793D

793D

793D

793D

793D

793D

793D

793D

793D

793D

793D

793D

793D

793D

793D

793D

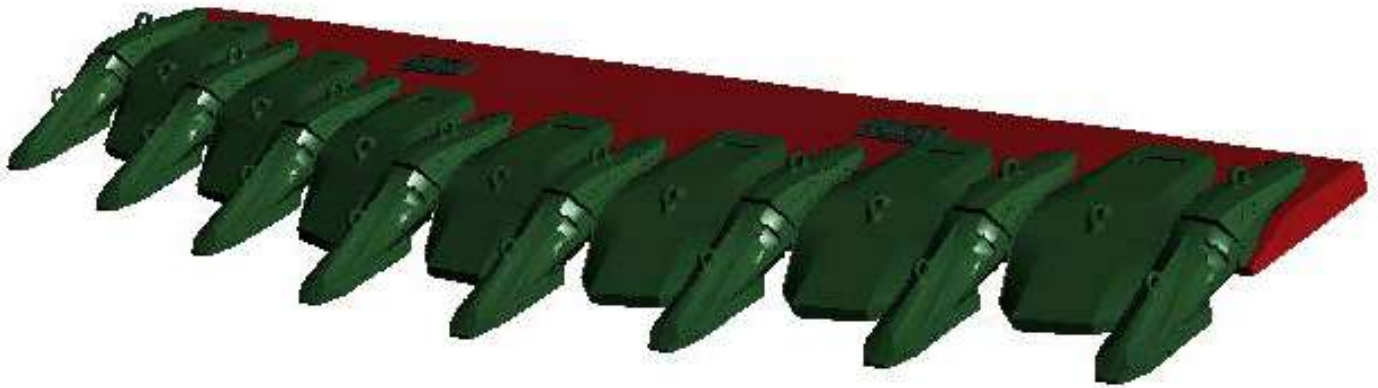
793D

793D

793D

793D

793D



### HD ESCO Conversion High abrasion

N°	Product	Part number	Qty
1	EDGE	HALF SPADE 65 mm	1
2	ADAPTER	8813A-U55	8
3	TOOTH	U55AP	8
4	LIP SHROUD CENTER	TAC65X380-1A	1
5	LIP SHROUD LEFT	TAC65X380-2L	3
6	LIP SHROUD RIGHT	TAC65X380-2R	3
8	PIN	TAP	7
7	BOSS	TAB	7



# Partinium® program



## Electrical Parts

	PRODUCT	PART NUMBER	QTY
Alternator	ALTERNATOR GP-CHARGING	2721889-P	1
Battery	BATTERY GP(12-VOLT, MAINTENANCE FREE, WET)	1535710-P	4
Starting motor	STARTING MOTOR GP-ELECTRIC	3496536-P	1

## Engine Parts

	PRODUCT	PART NUMBER	QTY
Miscellaneous	MOUNT AS	6Y2090-P	2

## Air conditioning

	PRODUCT	PART NUMBER	QTY
Compressor	COMPRESSOR GP-REFRIGERANT	5285715-P	1

## Cab parts

	PRODUCT	PART NUMBER	QTY
Mirrors	Mirror AS(Heated)	2028649-P	2
	MIRROR	5P6879-P	1
Windows	Pump AS-Washer(24-VOLT)	4160021-P	4

## Hydraulic

	PRODUCT	PART NUMBER	QTY
Actuator	PIN-ROLL	3C8388-P	1
Fan	MOTOR GP-PISTON -HYDRAULIC FAN	4989582-P	1
Pump	PUMP GP-PISTON	4644885-P	1
	PUMP GP-PISTON	3849437-P	1
	PUMP GP-PISTON	3849439-P	1
	CONE-BEARING	6Y2736-P	1
	CONE-BEARING	1B3908-P	1
Steering cylinder	CUP-BEARING	1B3909-P	1
	PUMP GP-GEAR	1363965-P	1
	BARREL	2922956-P	1
	PUMP GP-PISTON -STEERING	4201753-P	1
	PUMP GP-GEAR	5068175-P	1
Transmission	CUP-BEARING	7K8876-P	2
	CONE-BEARING	7K8877-P	2

## Frame

	PRODUCT	PART NUMBER	QTY
Body	LATCH AS	2942382-P	1
	PIN	4E8152-P	1
	PIN	4E8158-P	1
	CONE-BEARING	1B6577-P	2
	CUP-BEARING	2J2152-P	2
	CUP-BEARING	5D7449-P	2
	CONE-BEARING	5F1248-P	2
Mirrors	MIRROR GP -EXTERIOR, HEATED	1442227-P	1
Pumps	PUMP GP-LUBRICATION	4544835-P	1
Miscellaneous	PIN	2482526-P	1
	PIN	2482527-P	1
	PIN AS	2482528-P	1
	PIN AS	4E5597-P	2
	SPACER	4441810-P	2
	CARTRIDGE AS	4441822-P	2
	CARTRIDGE AS	4596731-P	2



### Power train and braking system

	PRODUCT	PART NUMBER	QTY
Axle	PUMP & MOTOR GP-AXLE OIL CLR	3402113-P	1
Braking system	PUMP GP-PISTON	1645486-P	1
	DISC-FRICTION(EXTENDED LIFE)	2200190-P	4
	BALL BEARING	3K2518-P	1
	SEAL-LIP TYPE	7K9204-P	3
	CUP-BEARING	2J7137-P	1
Differential	CUP-BEARING(TAPERED ROLLER)	1M6573-P	1
	BEARING AS-ROLLER	4D7534-P	4
	CONE-BEARING(TAPERED ROLLER)	9M2744-P	1
Shaft line	CUP-BEARING	5P3087-P	2
	CONE-BEARING	5P3088-P	2
	SEAL-LIP TYPE	6K2430-P	2
	SPIDER & BEARING GP	8R7036-P	2
	SPIDER & BEARING GP	1060933-P	2
	UNIVERSAL JOINT GP -REAR	1302372-P	1
	UNIVERSAL JOINT GP -FRONT	1302374-P	1
	SLIP JOINT GP -CENTER	1681916-P	1
Torque converter	BALL BEARING	3L1824-P	1
	CONE-BEARING	5P3723-P	6
	CUP-BEARING	6D7690-P	6
Transmission	CUP-BEARING	6H3568-P	2
	CONE-BEARING(TAPERED ROLLER)	6I8849-P	1
	CUP-BEARING	1P4693-P	2
	CONE-BEARING	1P4694-P	2
	CUP-BEARING	1P4695-P	2
	CONE-BEARING	1P4696-P	2
	CONE-BEARING	1326597-P	2
	BUSHING	5M3320-P	2
Wheel station	BEARING AS-ROLLER	5M7925-P	4
	PLATE-OUTER	9U1739-P	5

## Partinium® program



## Electrical Parts

	PRODUCT	PART NUMBER	QTY
Alternator	ALTERNATOR GP-CHARGING 24-VOLT, 150-AMPERE	2721889-P	1
Battery	BATTERY GP(12-VOLT, MAINTENANCE FREE, WET)	1535710-P	4
Starting motor	STARTING MOTOR GP-ELECTRIC	3383454-P	1
	SOLENOID AS-STARTING MOTOR(24-VOLT)	3383453-P	1

## Air conditioning

	PRODUCT	PART NUMBER	QTY
Accumulator	ACCUMULATOR-REFRIGERANT	2745909-P	1
	COUPLING AS-REFRIGERANT(SELF-SEALING)	5P3929-P	1
Compressor	COMPRESSOR GP-REFRIGERANT	2777245-P	1
	BELT TENSIONER	1900642-P	1

## Cab parts

	PRODUCT	PART NUMBER	QTY
Mirrors	Mirror AS(Heated)	2028649-P	2
	MIRROR	5P6879-P	1
Seats	Harness AS-Valve(Seat Air Compressor)	1927805-P	1

## Hydraulic

	PRODUCT	PART NUMBER	QTY
Actuator	Pin-Roll	3C8388-P	1
Fan	MOTOR GP-PISTON	4989582-P	1
	Cone-Bearing	6Y2736-P	1
Pump	PUMP GP-PISTON	4644885-P	1
	PUMP GP-PISTON	3849439-P	1
	BARREL	2922956-P	1
Steering cylinder	Cone-Bearing	1B3908-P	1
	Cup-Bearing	1B3909-P	1
	PUMP GP-GEAR -STEERING, IMPLEMENT, PILOT	1363965-P	1
	Pump GP-Piston(Steering)	4201753-P	1
	PUMP GP-GEAR	5068175-P	1
Transmission	Cone-Bearing	7K8877-P	2
	Cup-Bearing	7K8876-P	2

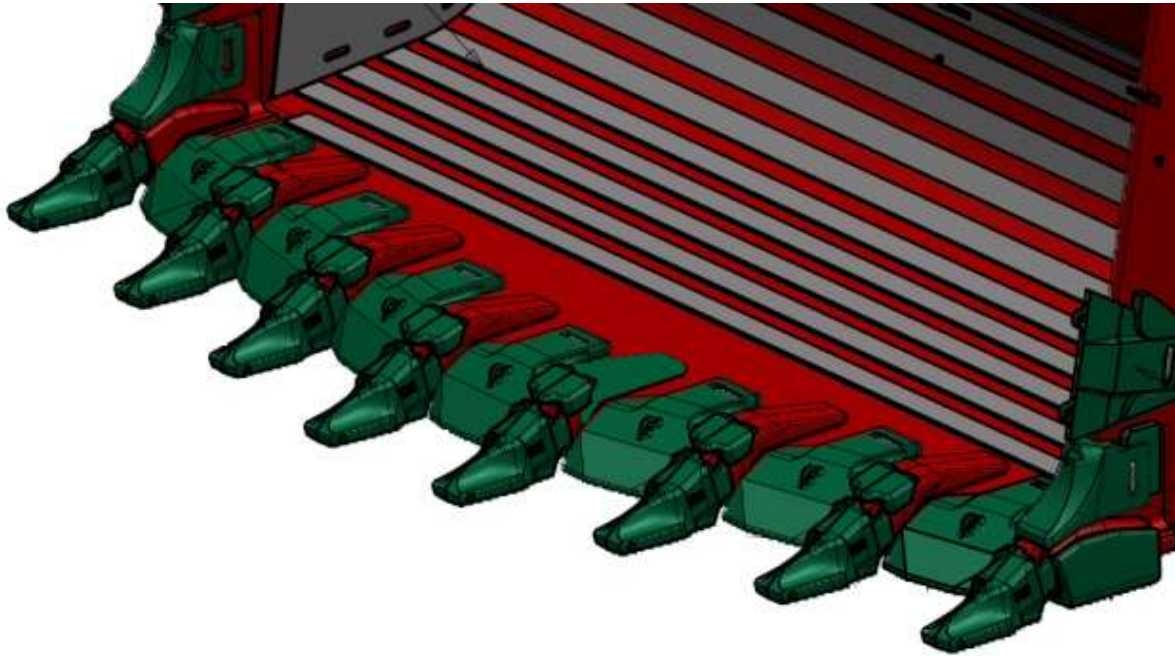
## Frame

	PRODUCT	PART NUMBER	QTY
Body	Cone-Bearing	1B6577-P	2
	Cone-Bearing	5F1248-P	2
	Cup-Bearing	2J2152-P	2
	Cup-Bearing	5D7449-P	2
	LATCH AS	2942382-P	1
	PIN	4E8152-P	1
	PIN	4E8158-P	1
Mirrors	MIRROR GP -EXTERIOR, HEATED	1442227-P	1
Miscellaneous	Spacer	4441810-P	2
	CARTRIDG AS	4441822-P	2
	CARTRIDG AS	4596731-P	2
	MOUNT AS	6Y2090-P	2
	PIN	2482526-P	1
	PIN	2482527-P	1
	PIN AS	4E5597-P	2
PIN AS	2482528-P	1	

## Power train and braking system

	PRODUCT	PART NUMBER	QTY
<b>Axle</b>	PUMP & MOTOR GP-AXLE OIL CLR	3402113-P	1
<b>Braking system</b>	BALL BEARING	3K2518-P	1
	DISC-FRICTION(EXTENDED LIFE)	2200190-P	4
	PUMP GP-PISTON -BRAKE	1645486-P	1
	SEAL-LIP TYPE	7K9204-P	3
<b>Differential</b>	BEARING AS-ROLLER	4D7534-P	4
	CUP-BEARING(TAPERED ROLLER)	1M6573-P	1
	CUP-BEARING	2J7137-P	1
	CONE-BEARING(TAPERED ROLLER)	9M2744-P	1
<b>Rim</b>	RIM GP-DEMOUNTABLE	2050162-P	1
<b>Shaft line</b>	CONE-BEARING	5P3088-P	2
	CUP-BEARING	5P3087-P	2
	SEAL-LIP TYPE	6K2430-P	2
	UNIVERSAL JOINT GP -REAR	1302372-P	1
	UNIVERSAL JOINT GP -FRONT	1302374-P	1
	SLIP JOINT GP -CENTER	1681916-P	1
	SPIDER & BEARING GP	1060933-P	2
	BALL BEARING	3L1824-P	1
<b>Torque converter</b>	CONE-BEARING	5P3723-P	6
	CUP-BEARING	6D7690-P	6
	SPIDER & BEARING GP	8R7036-P	2
	BUSHING	5M3320-P	2
<b>Transmission</b>	CONE-BEARING	1P4694-P	2
	CONE-BEARING	1326597-P	2
	CONE-BEARING(TAPERED ROLLER)	6I8849-P	1
	CONE-BEARING	1P4696-P	2
	CUP-BEARING	1P4695-P	2
	CUP-BEARING	6I8860-P	2
	CUP-BEARING	1P4693-P	2
<b>Wheel station</b>	PLATE OUTER	9U1739-P	5

Bucket 4600 mm Inner width



## HD ESCO Conversion High abrasion

N°	Product	Part number	Qty
1	EDGE	HALF SPADE 75 mm	1
2	ADAPTER LEFT	6830WL-65SV2	3
3	ADAPTER RIGHT	3830WR-65SV2	3
4	STRADDLE LEG LEFT	6857L-65SV2	1
5	STRADDLE LEG RIGHT	6857R-65SV2	1
6	TOOTH	65SV2AG	8
8	PIN	65SV2PN-C	8
7	WEAR CAP	WC265	6
8	LIP SHROUD	TAC75X430-1	1
9	LIP SHROUD	TAC75X430-2L	2
10	LIP SHROUD	TAC75X430-2R	2
11	LIPSHROUD	TAC75X430-3L	1
12	LIP SHROUD	TAC75X430-3R	1
13	PIN	TAP	7
14	BOSS	TAB	7
15	CAST CORNER	CC70X50L	1
16	CAST CORNER	CC70X50R	1
17	LOWER WING SHROUD	TAW50-1	2
18	PIN	TAP	2
19	BOSS	TAB	2



## Partinium® program



## Electrical Parts

	PRODUCT	PART NUMBER	QTY
Alternator	ALTERNATOR GP-CHARGING	3229743-P	1
Battery	BATTERY GP(12-VOLT, MAINTENANCE FREE, WET)	1535710-P	2
Starting motor	STARTING MOTOR GP-ELECTRIC(24-VOLT)	4366106-P	1

## Engine Parts

	PRODUCT	PART NUMBER	QTY
Mount	MOUNT AS	9W9930-P	1

## Air conditioning

	PRODUCT	PART NUMBER	QTY
Accumulator	Accumulator-Refrigerant	1866189-P	1
Compressor	COMPRESSOR GP-REFRIGERANT	3249711-P	1
Dryer	Dryer AS-Refrigerant(In-Line)	2573226-P	1

## Power train and braking system

	PRODUCT	PART NUMBER	QTY
Axle	Bushing	2G8631-P	1
	BEARING	2D8652-P	2
	Cup-Bearing	1P3934-P	2
	Cone-Bearing	1P3935-P	2
	CUP BEARING	1P4693-P	2
	Cone-Bearing	1P4694-P	2
	Cone-Bearing	3F1396-P	1
	Cup-Bearing	8B6343-P	1
	Cone-Bearing	8S9075-P	1
	Cup-Bearing	8S9076-P	1
Chain	Chain GP	6G1670-P	4
Differential	Cup-Bearing	2D9454-P	1
	Cone-Bearing	2D9455-P	1
Shaft	Universal Joint AS	2T3013-P	2

## Cab parts

	PRODUCT	PART NUMBER	QTY
Mirrors	Mirror AS	2594758-P	2
	Mirror AS	2594759-P	2
	Mirror AS	3396543-P	2
Wipers	Pump AS-Washer(24-VOLT)	4160021-P	2
	MOTOR GP-WINDOW WIPER	5112371-P	1

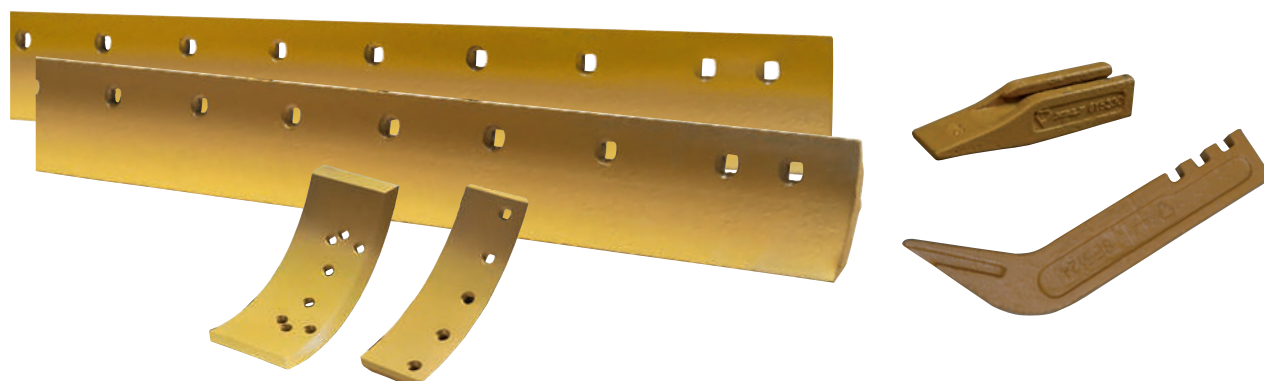
## Hydraulic

	PRODUCT	PART NUMBER	QTY
Pump	Cup-Bearing	7K8876-P	1
	Cone-Bearing	7K8877-P	1
Steering cylinder	Cup-Bearing	1B4038-P	2
	Cone-Bearing	1B4046-P	2
	CYLINDER GP-SIDESHIFT	2341949-P	1
	INSERT	3080541-P	4
	Bearing	4D0298-P	1
	Disc-Friction	6Y7953-P	9
	Ring-Wear	8T4958-P	1

## Frame

	PRODUCT	PART NUMBER	QTY
Body	Bearing AS-Roller	4K7467-P	1
	Bushing	8D4137-P	1
	Bushing	8D4138-P	1
	STRIP WEAR	2534627-P	2
	STRIP WEAR	2534628-P	2
	RETAINER	2534629-P	4
	Strip-Wear	3086303-P	6
	Bushing	8W4167-P	4
	Seal-Lip Type	7K9204-P	5





## Curved Cutting Edges

Width (mm)	Thickness (mm)	Edge Length (mm)	Bolt size	MaxTemp Part number	Bolt quantity	High Carbon Steel Part number	Bolt quantity
152	19	1826	5/8"	5D9556MT	13	7T1635	8
		2131	5/8"	5D9557MT	15	7T1644	9
		2131	3/4"	4Z8785MT	15		
203	19	1826	5/8"	5D9558MT	13	7T1634	8
		2131	5/8"	5D9559MT	15	7T1623	9
		2436	5/8"	5D9732MT	17	7T1630	10
		1826	3/4"	7D1576MT	13	7T1638	8
		2131	3/4"	7D1577MT	15	7T1625	9
		2436	3/4"	7D1949MT	17	7T1627	10
	2131	3/4"	4T2233MT	15			
	2436	3/4"	4T2236MT	17			

## Flat Cutting Edges

Width (mm)	Thickness (mm)	Edge Length (mm)	Bolt size	MaxTemp Part number	Bolt quantity
254	35	2436	3/4"	4T8317MT	17

## Cast Cutting Edges

Width (mm)	Thickness (mm)	Edge Length (mm)	Quantity required	Part number	Bolt quantity
279	38	1213	4	LA6261GBA	9

## Shank

Shank Part number	Type	Tip	Style	Pin	Retainer
9J6586	Straight shank	6Y0309	Penetration	1368308	1140359
4848282	Straight shank	6Y0352	Centerline	1140358	1140359
		6Y0359	Penetration	1140358	1140359
7D4501	Long shank	6Y5230	High temp	-	-





## Partinium® program



## Electrical Parts

	PRODUCT	PART NUMBER	QTY
Alternator	ALTERNATOR GP-CHARGING 24-VOLTS, 50-AMPERE	1125041-P	1
	ALTERNATOR GP-CHARGING 24-VOLTS, 80-AMPERE	1779953-P	1
	ALTERNATOR GP-CHARGING 24-VOLTS, 95-AMPERE	1978820-P	1
	ALTERNATOR GP-CHARGING 24-VOLTS, 75-AMPERE	3E7577-P	1
	ALTERNATOR GP-CHARGING 24-VOLTS, 105-AMPERE	3167251-P	1
	ALTERNATOR GP-CHARGING 24-VOLTS, 35-AMPERE	6N9294-P	1
Battery	Battery GP(12-VOLT, Maintenance Free, WET)(12 Volt)(Wet)	1535710-P	2
Starting motor	STARTING MOTOR GP-ELECTRIC	2071560-P	1

## Engine Parts

	PRODUCT	PART NUMBER	QTY
Cooling system	REGULATOR-WATER TEMPERATURE	1118010-P	1

## Air conditioning

	PRODUCT	PART NUMBER	QTY
Accumulator	ACCUMULATOR-REFRIGERANT	1976218-P	1
Compressor	COMPRESSOR GP-REFRIGERANT	3E1906-P	1
Dryer	DRYER AS-REFRIGERANT(IN-LINE)	3E3535-P	1
Heater	MOTOR AS-BLOWER(27-VOLT, A/C, HEATER)	3850244-P	1

## Cab parts

	PRODUCT	PART NUMBER	QTY
Compressor	V-BELT(AIR CONDITIONER)	4N7335-P	1
Condenser	COIL-CONDENSER	2160805-P	1
	MOTOR GP-ELECTRIC(AIR CONDITIONER)	3086335-P	2
Mirrors	MIRROR	5F6871-P	2
Wipers	MOTOR GP-WINDOW WIPER(24-VOLT)	1010744-P	1

## Hydraulic

	PRODUCT	PART NUMBER	QTY
Cylinder	BEARING	2D8652-P	1
	BUSHING	2G8631-P	1
	BEARING	4D0298-P	1
	PIN	5T8417-P	1
	BEARING	8D7685-P	4
Pumps	CUP-BEARING	1B4038-P	2
	CONE-BEARING	1B4046-P	2
	CUP-BEARING	7K8876-P	1
	CONE-BEARING	7K8877-P	1

## Frame

	PRODUCT	PART NUMBER	QTY
Body	CUP-BEARING	1P3934-P	2
	CONE-BEARING	1P3935-P	2
	CUP-BEARING	1P4693-P	2
	CONE-BEARING	1P4694-P	2
	STRIP-WEAR	1289654-P	10
	BUSHING	8D4137-P	1
	BUSHING	8D4138-P	1
	BEARING AS-ROLLER	4K7467-P	1
	BUSHING	8W4167-P	8

### Power train and braking system

	PRODUCT	PART NUMBER	QTY
Braking system	CONE-BEARING	4B7270-P	4
	SEAL GP-DUO-CONE	5K5288-P	1
Chain	CONE-BEARING	5P3490-P	4
	CHAIN GP	6G1670-P	4
Differential	CUP-BEARING(TAPERED ROLLER)	1J2860-P	1
	CONE-BEARING(TAPERED ROLLER)	1J4757-P	1
	CONE-BEARING	5P3723-P	1
	CUP-BEARING	6D7690-P	1
	DISC-FRICTION	6Y7953-P	9
	DISC-FRICTION	6Y7954-P	8
	DISC	7D8185-P	9
	CUP-BEARING(TAPERED ROLLER)	0300060-P	1
	CONE-BEARING(TAPERED ROLLER)	0300061-P	1
	CONE-BEARING	3F1396-P	2
Final Drive	CONE-BEARING	8S9075-P	2
	CUP-BEARING	8S9076-P	2
Shaft	SPIDER & BEARING AS	9P0356-P	2

777D 777G 777E 785C 789C 789D 793D 745C 09R D10T 6015B 6020B 336D 390F 966H 988H 988K 992K 14M 14H 16M

## Partinium® program



## Electrical Parts

	PRODUCT	PART NUMBER	QTY
Alternator	ALTERNATOR GP-CHARGING 24-VOLT, 75-AMPERE	2002232-P	1
	ALTERNATOR GP-CHARGING 24-VOLT, 95-AMPERE	2267683-P	1
Battery	Battery GP(12-VOLT, Maintenance Free, WET)(12 Volt)(Wet)	1535710-P	2
Starting motor	STARTING MOTOR GP-ELECTRIC	2071556-P	1

## Air conditioning

	PRODUCT	PART NUMBER	QTY
Accumulator	ACCUMULATOR-REFRIGERANT	1976218-P	1
Compressor	COMPRESSOR GP-REFRIGERANT	3E1906-P	1
Dryer	DRYER AS-REFRIGERANT(IN-LINE)	3E3535-P	1
Heater	MOTOR AS-BLOWER(27-VOLT, A/C, HEATER)	3850244-P	1
Miscellaneous	BELT-SERPENTINE(AIR CONDITIONER)	3128933-P	1

## Cab parts

	PRODUCT	PART NUMBER	QTY
Compressor	V-BELT(AIR CONDITIONER)	4N7335-P	1
	COIL-CONDENSER	2160805-P	1
Condenser	MOTOR GP-ELECTRIC(AIR CONDITIONER)	3086335-P	2
	MIRROR AS(HEATED)	2028649-P	2
Mirrors	MOTOR GP-WINDOW WIPER(24-VOLT, 2-SPEED)(FRONT, LOWER)	5112371-P	1
	MIRROR	5P6871-P	2

## Hydraulic

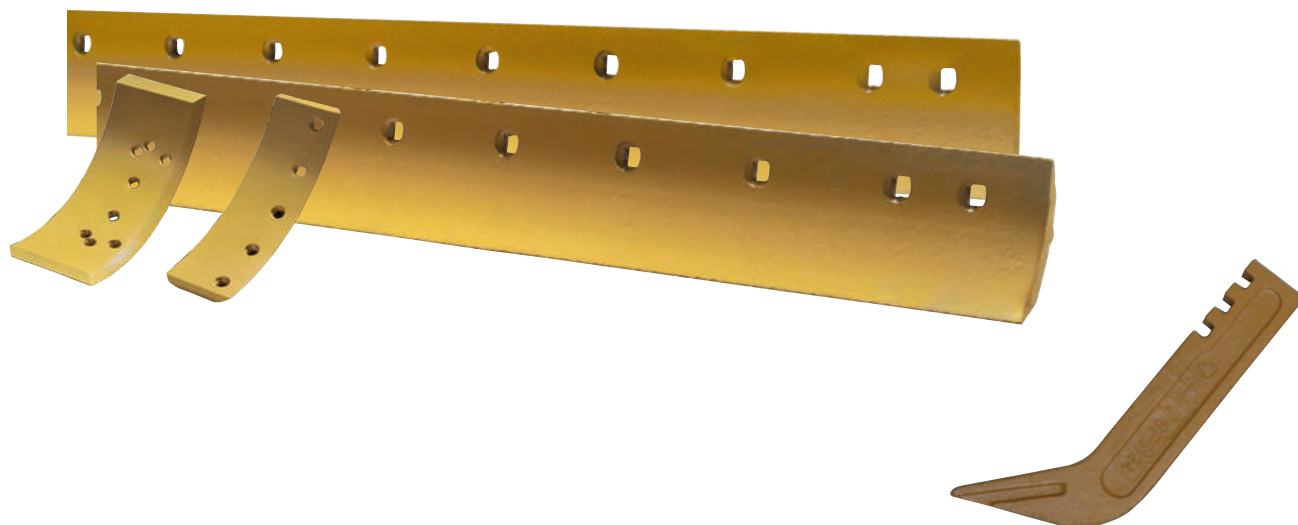
	PRODUCT	PART NUMBER	QTY
Cylinder	BEARING	2D8652-P	1
	BUSHING	2G8631-P	1
	BEARING	4D0298-P	1
	RING-BACKUP	4J9224-P	1
	PIN	5T8417-P	1
	RING-WEAR	6J2797-P	1
	RING-WEAR	7J9885-P	1
	BEARING	8D7685-P	4
	CUP-BEARING	1B4038-P	2
	CONE-BEARING	1B4046-P	2
Pumps	PUMP GP-PISTON -HYDRAULIC FAN	1847448-P	1
	CUP-BEARING	7K8876-P	1
	CONE-BEARING	7K8877-P	1
	SEAL-LIP TYPE	8F5340-P	1

## Frame

	PRODUCT	PART NUMBER	QTY
Axle	CUP-BEARING	1P3934-P	2
	CONE-BEARING	1P3935-P	2
	CUP-BEARING	1P4693-P	2
Body	CONE-BEARING	1P4694-P	2
	STRIP-WEAR	1289654-P	10
	PIN	2K6413-P	1
	BUSHING	8D4137-P	1
	BUSHING	8D4138-P	1
	BEARING AS-ROLLER	4K7467-P	1
	BUSHING	8W4167-P	8

### Power train and braking system

	PRODUCT	PART NUMBER	QTY
Braking system	Kit-Cartridge(Desiccant)(Air Dryer)	2032389-P	1
	Cone-Bearing	4B7270-P	4
	Seal GP-Duo-Cone	5K5288-P	1
Chain	Cone-Bearing	5P3490-P	4
	CHAIN GP	6G1670-P	4
Differential	Cup-Bearing(Tapered Roller)	1J2860-P	1
	Cone-Bearing(Tapered Roller)	1J4757-P	1
	Cone-Bearing	5P3723-P	1
	Cup-Bearing	6D7690-P	1
	Disc-Friction	6Y7953-P	9
	Disc-Friction	6Y7954-P	8
	Disc	7D8185-P	9
Final Drive	Cone-Bearing	3F1396-P	2
	Cone-Bearing	8S9075-P	2
	Cup-Bearing	8S9076-P	2
Shaft	Spider & Bearing AS	9P0356-P	2



## Curved Cutting Edges

Width (mm)	Thickness (mm)	Edge Length (mm)	Bolt size	MaxTemp Part number	Bolt qty	High Carbon Steel Part number	Bolt qty
152	19	1826	5/8"	5D9556MT	13	7T1635	8
		2131	5/8"	5D9557MT	15	7T1644	9
		2131	3/4"	4Z8785MT	15		
203	19	1826	5/8"	5D9558MT	13	7T1634	8
		2131	5/8"	5D9559MT	15	7T1623	9
		2436	5/8"	5D9732MT	17	7T1630	10
		1826	3/4"	7D1576MT	13	7T1638	8
		2131	3/4"	7D1577MT	15	7T1625	9
	25	2436	3/4"	7D1949MT	17	7T1627	10
		2131	3/4"	4T2233MT	15		
		2436	3/4"	4T2236MT	17		

## Flat Cutting Edges

Width (mm)	Thickness (mm)	Edge Length (mm)	Bolt size	MaxTemp Part number	Bolt qty
254	35	2436	3/4"	4T8317MT	17

## Cast Cutting Edges

Width (mm)	Thickness (mm)	Edge Length (mm)	Qty required	Part number	Bolt qty
279	38	1213	4	LA6261GBA	9

## Shank

Shank Part number	Type	Tip	Style	Pin	Retainer
9J6586	Straight shank	6Y0309	Penetration	1368308	1140359
4848282	Straight shank	6Y0352	Centerline	1140358	1140359
		6Y0359	Penetration	1140358	1140359
7D4501	Long shank	6Y5230	High temp	-	-



# Partinium® program



## Electrical Parts

	PRODUCT	PART NUMBER	QTY
Alternator	ALTERNATOR GP-CHARGING 24-VOLT, 150-AMPERE	2721889-P	1
Battery	Battery GP(12-VOLT, Maintenance Free, Wet)	1535710-P	2
Solenoid	Solenoid AS-Starting Motor(24-VOLT)	3383453-P	1

## Engine Parts

	PRODUCT	PART NUMBER	QTY
Cover valve mechanism	Seal-Valve Cover	2295711-P	1
Mounting	MOUNT AS	9W9930-P	1

## Air conditioning

	PRODUCT	PART NUMBER	QTY
Compressor	Refrigerant Compressor Gp	5011179-P	1
Dryer	Dryer AS-Air(In-Line)	2834236-P	1
Accumulator	Accumulator-Refrigerant	1866189-P	1
Dryer	Dryer AS-Refrigerant(In-Line)	2573226-P	1

## Cab parts

	PRODUCT	PART NUMBER	QTY
Axle	Cone-Bearing	1P7835-P	2
	Cone-Bearing	1326597-P	1
	Cone-Bearing	9K1172-P	1
	CUP-Bearing	1P7834-P	2
	CUP-Bearing	9K1171-P	2
Differentiel	CUP-Bearing	8B6511-P	1
Final drive	Cone-Bearing	8D2256-P	1
Shaft line	Universal Joint AS	2T3013-P	2
Wheel gp front	Cone-Bearing	1B4043-P	1
	CUP-Bearing	1B3937-P	1
Wheel station	Cone-Bearing	8S9075-P	1
	CUP-Bearing	8S9076-P	1

## Hydraulic

	PRODUCT	PART NUMBER	QTY
Drive GP Circle	BEARING	4D0298-P	1
	Ring-Wear	6J2797-P	1
	Cone-Bearing	8D3984-P	2
	Cup-Bearing	8D3986-P	2
	Disc-Friction	6Y7953-P	11
Pump	Cone-Bearing	7K8877-P	1
	Cup-Bearing	7K8876-P	1

## Frame

	PRODUCT	PART NUMBER	QTY
Accumulator	Accumulator-Refrigerant	2745909-P	1
Axle	BEARING	2D8652-P	2
	RETAINER	2534629-P	4
Body	Strip-Wear	3086303-P	6
	Strip-Wear	2534628-P	2
	Bushing	8W4167-P	8
	STRIP WEAR	2534627-P	2



### Power train and braking system

	PRODUCT	PART NUMBER	QTY
Axle	Cone-Bearing	1P7835-P	2
	Cone-Bearing	1326597-P	1
	Cone-Bearing	9K1172-P	1
	CUP-Bearing	1P7834-P	2
	CUP-Bearing	9K1171-P	2
Differentiel	CUP-Bearing	8B6511-P	1
Final drive	Cone-Bearing	8D2256-P	1
Shaft line	Universal Joint AS	2T3013-P	2
Wheel gp front	Cone-Bearing	1B4043-P	1
	CUP-Bearing	1B3937-P	1
Wheel station	Cone-Bearing	8S9075-P	1
	CUP-Bearing	8S9076-P	1

# Partinium® program



## Electrical Parts

	PRODUCT	PART NUMBER	QTY
Alternator	ALTERNATOR GP-CHARGING 24-VOLT, 150-AMPERE	2721889	1
Battery	BATTERY GP(12-VOLT, MAINTENANCE FREE, WET)	1535710	2
Starting motor	STARTING MOTOR GP-ELECTRIC	2071556	1

## Air conditioning

	PRODUCT	PART NUMBER	QTY
Accumulator	ACCUMULATOR-REFRIGERANT	2745909	1
Compressor	REFRIGERANT COMPRESSOR GP	5011179	1
Dryer	SWITCH AS-THERMOSTAT(HVAC)(REFRIGERANT)	3E5464	1
	DRYER AS-REFRIGERANT(IN-LINE)	2573226-P	1
	DRYER AS-AIR(AIR CONDITIONER)	2834236	2
	DRYER AS-AIR(AIR CONDITIONER)		
	COUPLING AS-REFRIGERANT(SELF-SEALING)	5P3929	3
	DRYER AS-REFRIGERANT(IN-LINE)	2573226	1

## Cab parts

	PRODUCT	PART NUMBER	QTY
Seat	Harness AS-Valve (Seat Air Compressor)	1927805	1
Mirror	MIRROR AS	2594758	2
	Mirror AS	2594759	1

## Hydraulic

	PRODUCT	PART NUMBER	QTY
STEERING	Cup-Bearing	7K8876	1
	Cone-Bearing	7K8877	11
Hoist Cylinder	Ring-Wear	8T4958	2
	Bearing	4D0298	2

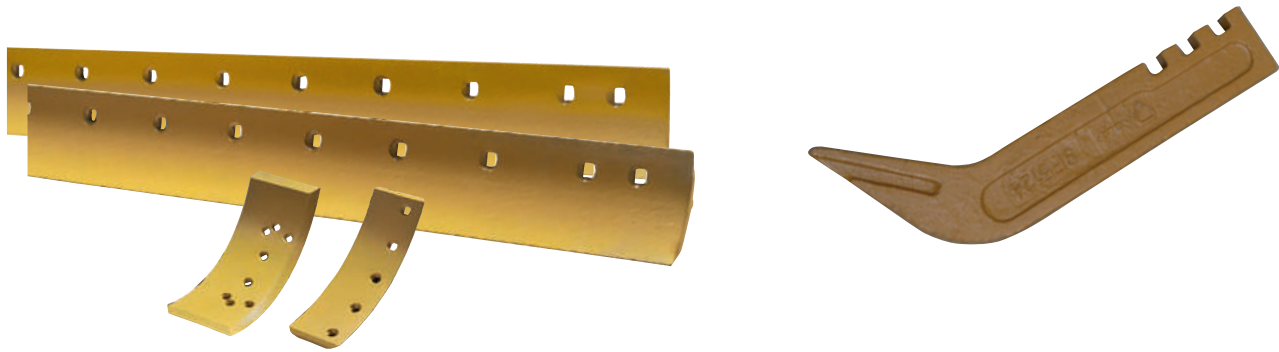
## Frame

	PRODUCT	PART NUMBER	QTY
Drive GP Circle	STRIP WEAR	3086303	2
	Bushing	8W4167	4
	Retainer	2534629	2
	Disc-Friction	6Y7953	1
	Strip-Wear	2534628	1
	Cone-Bearing	8D3984	1
	Cup-Bearing	8D3986	1

### Power train and braking system

	PRODUCT	PART NUMBER	QTY
Final drive	Cone-Bearing	8S9075	1
wheel gp front	Cup-Bearing	1P7834	1
	Cone-Bearing	1P7835	1
	Cup-Bearing	8S9076	1
Wheel station	Cup-Bearing	9K1171	1
	Cone-Bearing	9K1172	1

Width (mm)	Thickness (mm)	Edge Length (mm)	Bolt size	MaxTemp Part number	Bolt quantity	High Carbon Steel Part number	Bolt quantity
152	13	1826	5/8"	8D2786MT	13	9W2297	8
		2131	5/8"	8D2787MT	15	9W2299	9
		2436	5/8"	8J7782MT	17	9W2301	10
		1826	3/4"	9J3660MT	13	9W2298	8
		2131	3/4"	9J3659MT	15	9W2300	9
		2436	3/4"	9J3656MT	17	9W2302	10
	16	1826	5/8"	5D9553MT	13	7T1633	8
		2131	5/8"	5D9554MT	15	7T1645	9
		2436	5/8"	8J4043MT	17	7T1632	10
		1826	3/4"	9J3657MT	13	7T1637	8
		2131	3/4"	9J3658MT	15	7T1626	9
		2436	3/4"	9J3655MT	17	7T1629	10
	19	1826	5/8"	5D9556MT	13	7T1635	8
		2131	5/8"	5D9557MT	15	7T1644	9
		2131	3/4"	4Z8785MT	15		
203	13	1826	5/8"	8D2788MT	13	9W2313	8
		2131	5/8"	8D2789MT	15	9W2315	9
		2436	5/8"	8J8980MT	17	9W2317	10
		1826	3/4"	3G1626MT	13	9W2314	8
		2131	3/4"	3G1627MT	15	9W2316	9
		2436	3/4"	3G1628MT	17	9W2318	10
	16	1826	5/8"	5D9562MT	13	7T1636	8
		2131	5/8"	5D9561MT	15	7T1643	9
		2436	5/8"	5D9731MT	17	7T1631	10
		1826	3/4"	9J7701MT	13	7T1639	8
		2131	3/4"	7D1158MT	15	7T1624	9
		2436	3/4"	8J9821MT	17	7T1628	10
	19	1826	5/8"	5D9558MT	13	7T1634	8
		2131	5/8"	5D9559MT	15	7T1623	9
		2436	5/8"	5D9732MT	17	7T1630	10
		1826	3/4"	7D1576MT	13	7T1638	8
		2131	3/4"	7D1577MT	15	7T1625	9
		2436	3/4"	7D1949MT	17	7T1627	10
	25	1826	5/8"	4T2244MT	13		
		2131	5/8"	4T2242MT	15		
		2436	5/8"	4T2237MT	17		
		1826	3/4"	4T2231MT	13		
		2131	3/4"	4T2233MT	15		
		2436	3/4"	4T2236MT	17		



## Flat Cutting Edges

Width (mm)	Thickness (mm)	Edge Length (mm)	Bolt size	MaxTemp Part number	Bolt quantity
203	19	2131	5/8"	4T3036MT	15
203	19	2436	5/8"	4T3035MT	17
203	19	2131	3/4"	4T3032MT	15
203	19	2436	3/4"	4T3037MT	17
203	25	2131	5/8"	7T3498MT	15
203	25	2436	5/8"	7T3496MT	17
203	25	2131	3/4"	7T3494MT	15
203	25	2436	3/4"	7T3495MT	17
254	25	2131	3/4"	4T6508MT	15
254	25	2436	3/4"	4T6511MT	17
254	35	2131	3/4"	4T8316MT	15
254	35	2436	3/4"	4T8317MT	17
254	45	2436	3/4"	1043628MT	17

## Cast Cutting Edges

Width (mm)	Thickness (mm)	Edge Length (mm)	Quantity required	Part number	Bolt quantity
279	38	1213	4	LA6261GBA	9

## Shank

Shank Part number	Type	Tip	Style	Pin	Retainer
9J6586	Straight shank	6Y0309	Penetration	1368308	1140359
4848282	Straight shank	6Y0352	Centerline	1140358	1140359
		6Y0359	Penetration	1140358	1140359
7D4501	Long shank	6Y5230	High temp	-	-

## Partinium® program



KOMATSU®

### Electrical Parts

	PRODUCT	PART NUMBER	QTY
ALTERNATOR	ALTERNATOR	600-825-9332-P	1
STARTING MOTOR	STARTER	600-813-7543-P	2
STARTING MOTOR	STARTER	600-813-9911-P	2

### Power Train and braking system

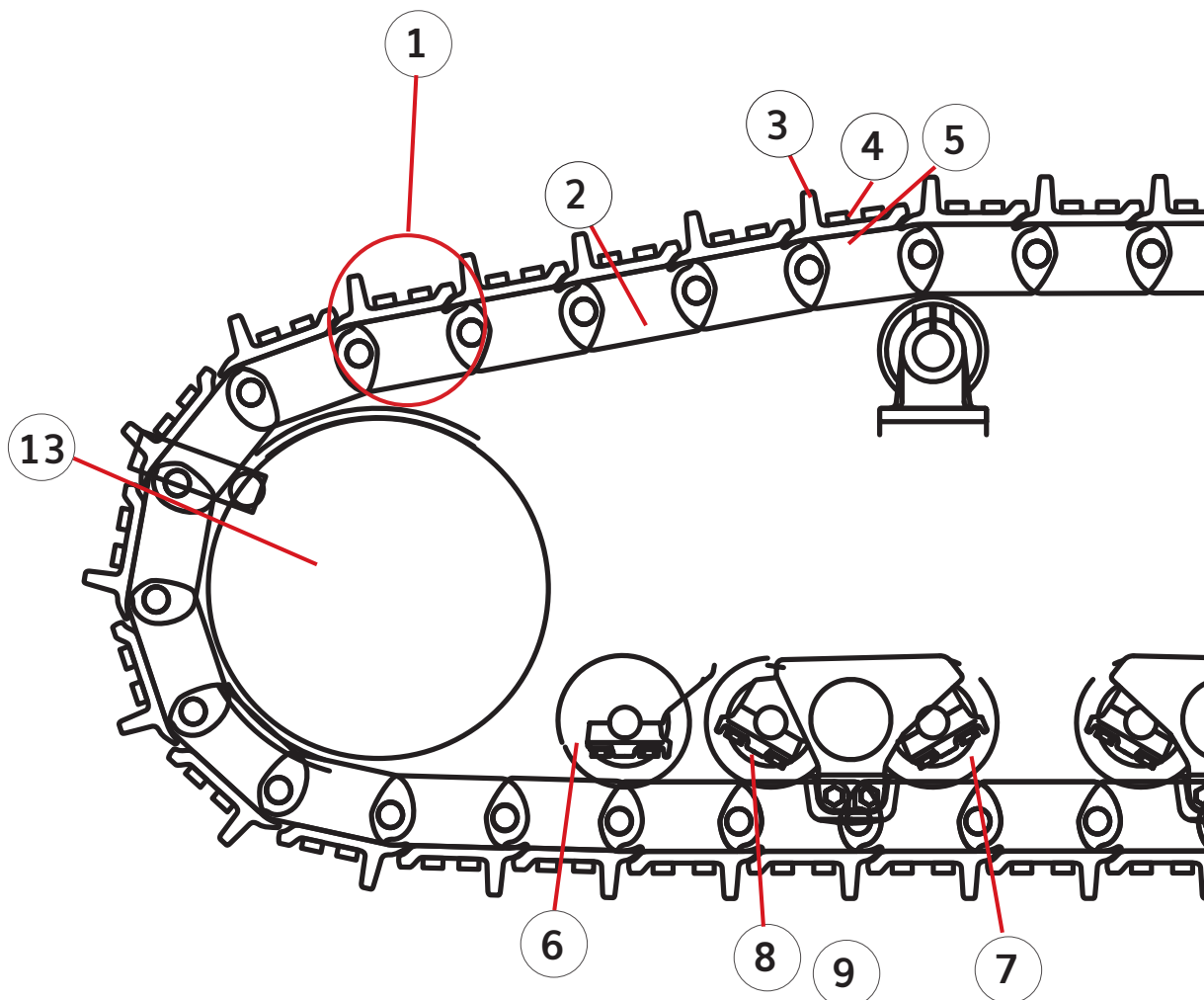
	PRODUCT	PART NUMBER	QTY
DIFFERENTIAL	BEARING	561-22-71810-P	1
	BEARING	561-22-61960-P	2
	BEARING	561-22-71820-P	1
	BEARING	561-88-68850-P	4
	O-RING	581-22-21750-P	1
	BOLT	01010-62475-P	32
	OIL SEAL	07012-50150-P	1
	O-RING	562-15-19970-P	1
	O-RING	07000-15340-P	1
	O-RING	07000-15315-P	1
	DOWEL PIN	04020-01842-P	4
FRONT WHEELS	SPRING	561-34-72210-P	62
	DISC	585-33-21240-P	14
	BEARING	561-27-71960-P	2
	PLATE	561-33-61230-P	14
	RING	561-34-71661-P	2
	BEARING	561-27-61940-P	2
	RING	561-34-71580-P	2
	RING	561-33-71471-P	2
	RING	561-33-71480-P	2
	SEAL	561-34-71610-P	2
	SEAL	561-34-71530-P	2
	DAMPER	561-33-62260-P	2
	SEAL	561-33-71440-P	2
	SEAL	561-33-71430-P	2
	SEAL	568-33-11511-P	2
	DISC	561-32-71260-P	2
	O-RING	428-22-11280-P	4
	BOLT	01011-62405-P	16
	O-RING	07000-F2025-P	10
	O-RING	07002-12034-P	16
	O-RING	07000-15360-P	2
	O-RING	07000-15375-P	2
	O-RING	07000-F2020-P	6
	O-RING	07002-11223-P	12
	O-RING	07000-12090-P	2
	O-RING	07002-12434-P	2
O-RING	07002-11423-P	4	
O-RING	07002-10823-P	4	
O-RING	07002-11623-P	2	
REAR WHEEL	DISC	561-33-71240-P	18
	BEARING	561-22-72961-P	2
	PLATE	561-33-71230-P	16
	BEARING	561-22-62990-P	2
	BEARING	561-22-72520-P	6
	SPRING	561-34-71210-P	78
	DAMPER	561-33-71271-P	2
	RING	561-34-71590-P	2
	RING	561-34-71680-P	2
	DAMPER	561-33-71261-P	2
	RING	561-33-71450-P	2
	RING	561-33-71550-P	2
	SEAL	561-34-71540-P	2
	SEAL	561-34-71630-P	2
	SEAL	561-33-71410-P	2
	SEAL	568-33-11511-P	2
	SEAL	561-33-71510-P	2
	O-RING	561-33-71850-P	2
	O-RING	562-22-12920-P	2
	O-RING	195-27-31490-P	4
	O-RING	426-13-19110-P	2
	SNAP RING	04071-00180-P	6
	O-RING	07000-F2025-P	16
	O-RING	566-09-31110-P	2
	O-RING	07000-A5495-P	2

## Power Train and braking system

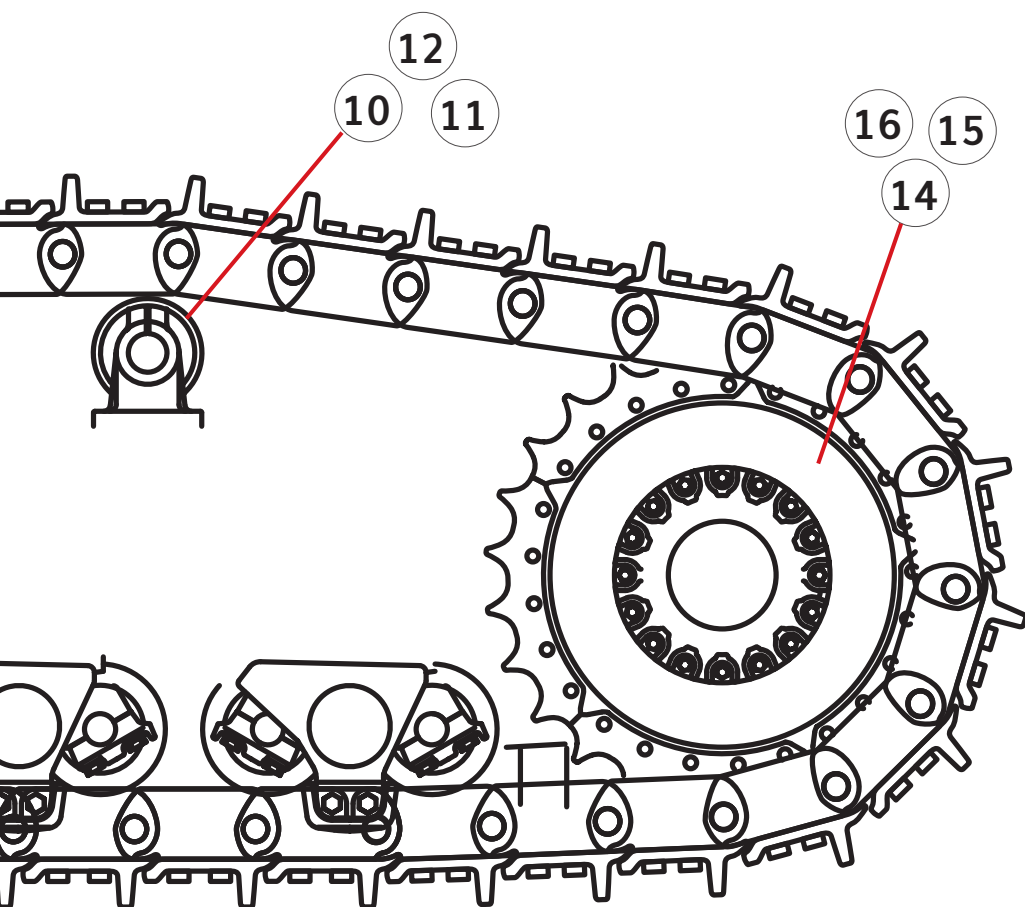
Product	Part number	Qty
O-RING	07000-A5320-P	2
O-RING	07002-12034-P	20
O-RING	07000-15405-P	2
O-RING	07002-11223-P	14
BALL	04260-01905-P	6
CAP	566-32-11620-P	4
O-RING	07002-11023-P	10
O-RING	07000-F2030-P	2
O-RING	07002-12434-P	4
O-RING	07002-11423-P	4
O-RING	07002-11623-P	6
O-RING	07002-13634-P	2
O-RING	07000-12025-P	2
O-RING	07000-12018-P	2
O-RING	07000-11005-P	2
SERVICE KIT	561-13-05032-P	1
DISC	195-15-32710-P	3
BEARING	561-13-71180-P	1
PLATE	281-15-12720-P	2
BEARING	711-28-44330-P	3
BEARING	711-23-11240-P	1
SERVICE KIT	561-13-05040-P	1
SENSOR	7861-93-3320-P	1
SNAP RING	04065-01254-P	3
VALVE	07750-02537-P	1
SHIM	125-15-36480-P	6
SNAP RING	04064-09530-P	1
SNAP RING	04064-08530-P	1
DOWEL PIN	04020-00616-P	2
BAND	08034-20414-P	4
BALL	04260-00635-P	2
DISC	562-15-22890-P	10
DISC	562-15-22870-P	5
DISC	569-15-52930-P	14
PLATE	561-15-52951-P	10
SERVICE KIT	561-15-05521-P	1
PLATE	562-15-22820-P	5
PLATE	561-15-52961-P	7
DISC	561-15-52811-P	4
THRUST WASHER	561-15-42560-P	16
PLATE	561-15-52941-P	4
PLATE	561-15-52931-P	3
BEARING	561-15-79420-P	8
BEARING	561-15-79510-P	1
BEARING	561-15-79410-P	12
SENSOR	7861-93-2330-P	3
THRUST WASHER	569-15-32580-P	16
BEARING	561-15-79690-P	1
SPRING	195-15-12880-P	114
BEARING	561-15-79670-P	1
BEARING	561-15-79680-P	1
BEARING	561-15-79452-P	8
BEARING	561-15-79650-P	1
WASHER	561-15-32570-P	12
SEAL RING	561-15-59110-P	1
BEARING	561-15-79440-P	8
BEARING	561-15-79661-P	1
SEAL RING	569-15-39250-P	1
BEARING	561-15-79430-P	4
SPRING	175-15-42880-P	30
SERVICE KIT	561-15-05531-P	1
BEARING	561-15-79910-P	1
SENSOR	7861-93-3320-P	1
SNAP RING	04071-00260-P	1
SNAP RING	04077-00165-P	1
SNAP RING	04070-00140-P	1
BALL	04260-00635-P	24
BAND	08034-20414-P	7
SPIDER ASS	42C-20-12621-P	2
SPIDER ASS'Y	561-20-71100-P	2
PROPELLER SHAFT	561-20-72003-P	1
SHAFT ASS'Y	561-20-71000-P	1
SPIDER ASS	42C-20-12621-P	2
SPIDER ASS'Y	561-20-71100-P	2
PROPELLER SHAFT	561-20-72003-P	1
SHAFT ASS'Y	561-20-71000-P	1

## Shoes 610 MM

N°	Product	Parts number	Qty/machine
1	Track GP	KM3592/39/610	2
2	Link assembly	KM3593/39	2
3	Shoes	KM1038/610	78
4	Shoe bolt	KM1150	304
5	Shoe nut	KM1151	304
6	Bottom roller SF	KM3594	4
7	Bottom roller DF	KM3595	10
8	Bottom roller Bolt	TH24100/300D	56
9	Bottom roller Washer	RR24	56
10	Carrier roller	KM3601 / KM4162	4
11	Carrier Bolt	TH20090/250D	8
12	Carrier Washer	RR20	8
13	Idler	KM4263	2
14	Sprocket (5 parts)	KM3603	2
15	Sprocket Bolt	KM 539	50
16	Sprocket Washer	KM 228	50







## Semi U-Blades Edges

Blade Serial Number	Central edge	Qty	End edge	Qty	Bolts	Qty	Nuts	Qty
	195-71-11654MT	1	17M-71-21550MT	2	195-71-52280	21	17M-71-21530	21

## Semi U End Bits

Blade Serial Number	End bit LH	Qty	End bit RH	Qty	Bolts	Qty	Nuts	Qty
	17M-71-21930MT	1	17M-71-21940MT	1	195-71-52280	14	17M-71-21530	14

## U-Blades Edges

Blade Serial Number	Central edge	Qty	End edge	Qty	Bolts	Qty	Nuts	Qty
	195-71-11654MT	1	17M-72-21160MT	2	195-71-52280	24	17M-71-21530	24

## U End Bits

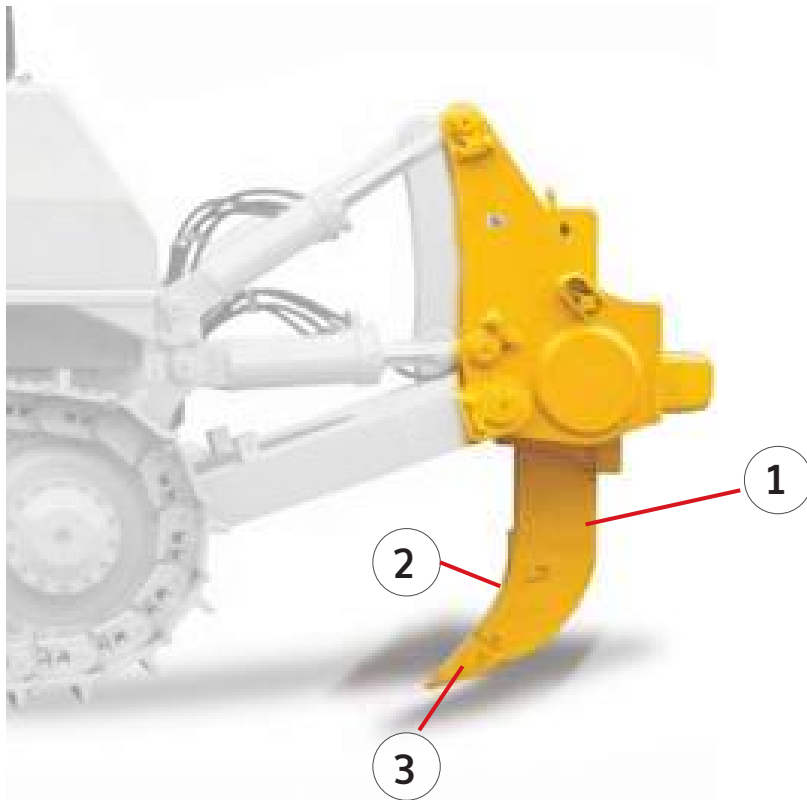
Blade Serial Number	End bit LH	Qty	End bit RH	Qty	Bolts	Qty	Nuts	Qty
	17M-71-21930MT	1	17M-71-21940MT	1	195-71-52280	14	17M-71-21530	14

## Multi Shank Ripper

N°	Product	Part number	Qty
1	Shank	Multi Shank	17M-78-21320 3
2	Shank Protector	Shank protector	17M-78-21330 3
		Long shank protector	17M-78-21340 3
		Pin	09244-02508 6
3	Tips	Short point	195-78-21331 3
		Long point	195-78-29130 3
		Pin	09244-02508 3

## Giant Ripper

N°	Product	Part number	Qty
1	Shank	Single Shank	195-79-31141 1
2	Shank Protector	Shank protector	195-78-21580 1
		Pin	09244-02508 2
3	Tips	Short point	195-78-21331 3
		Long point	195-78-29130 3
		Pin	09244-02508 3

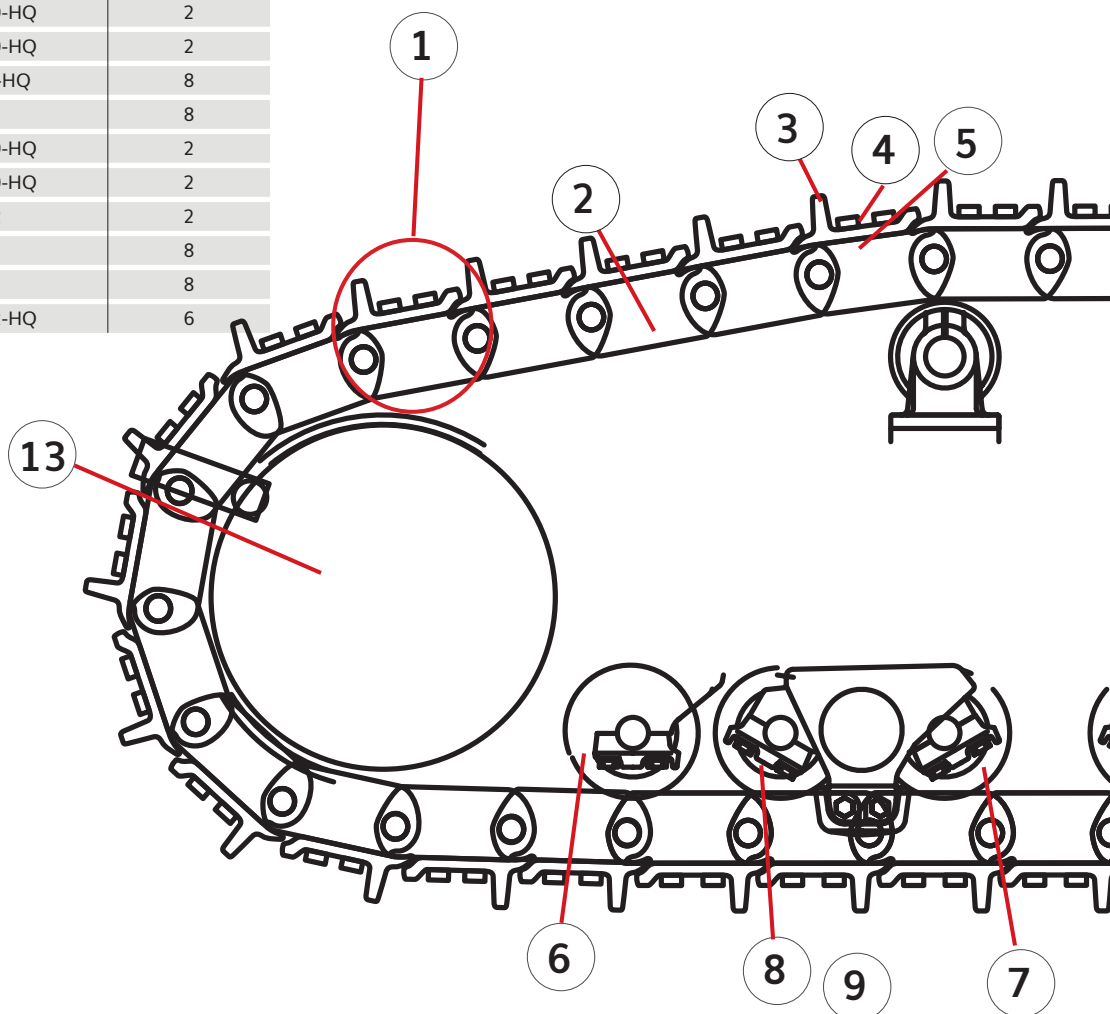


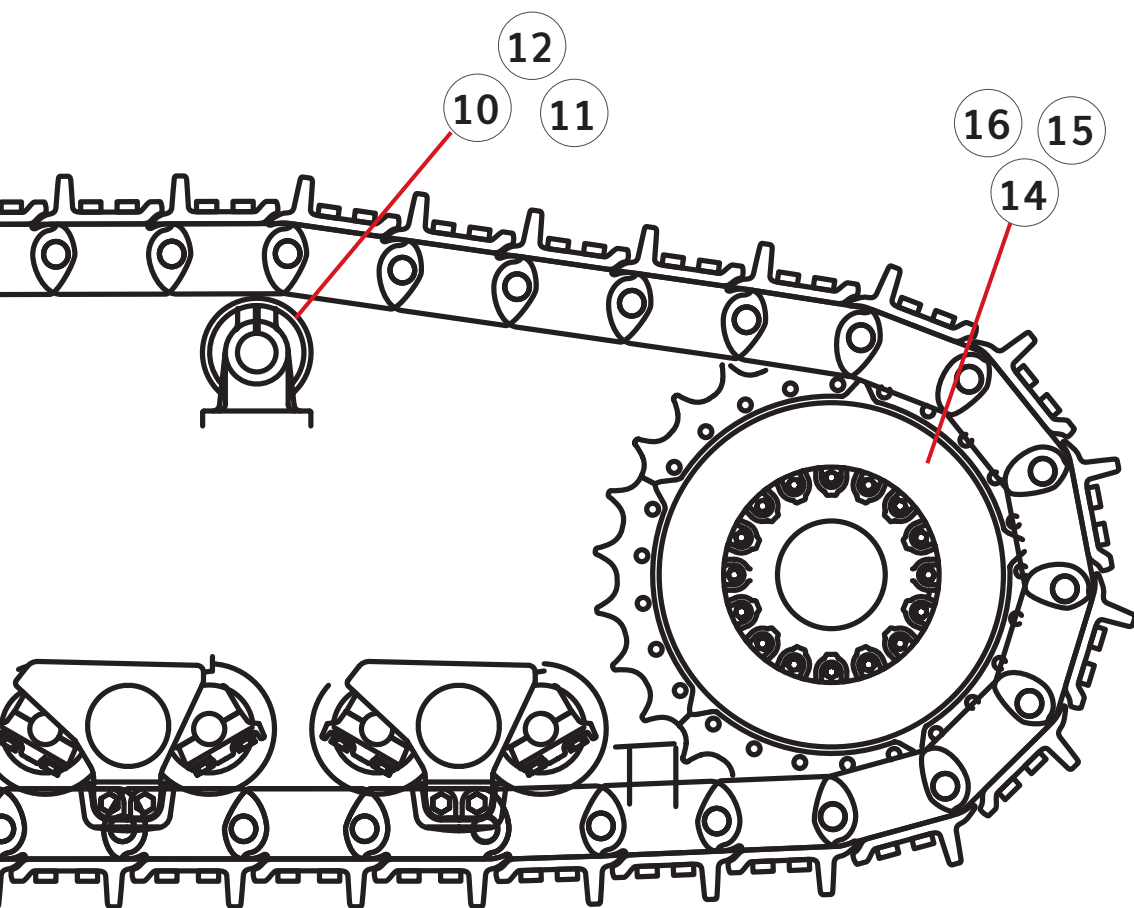
## Shoes 610 MM

N°	Product	Parts number	Qty/machine
1	Track GP with shoes 610 MM	KM5135/40/610	2
2	Link assembly	KM5134/40	2
3	Shoes 610 MM	KM4619/610	80
4	Shoe bolt	KM1362	312
5	Shoe nut	KM1998	312
6	Bottom roller SF	KM3526	8
7	Bottom roller DF	KM3531	6
8	Bottom roller Bolt	01011-62710	56
9	Bottom roller Washer	01643-32780	56
10	Carrier roller	KM1281	4
11	Carrier Bolt	01010-62285	8
12	Carrier Washer	01643-32260	8
13	Idler	KM1283	2
14	Sprocket (5 parts)	KM1285	2
15	Sprocket Bolt	KM1396	50
16	Sprocket Washer	KM1397	50

## Track frame spare parts

Product	Parts number	Qty/machine
Cap	195-30-62141-HQ	14
Bolt	01011-62710-HQ	56
Washer	01643-32780-HQ	56
Guard	195-30-67250-HQ	2
Guard	195-30-67240-HQ	2
Bolt	01010-62465-HQ	8
Washer	01643-32460	8
Bogie major	195-30-66550-HQ	2
Plate	195-30-66590-HQ	2
Pad	198-30-56132	2
Bolt m12	01010-81230	8
Washer	01643-51232	8
Bogie assy	195-30-01772-HQ	6





## Semi U-Blades Edges

Blade Serial Number	Central edge	Qty	End edge	Qty	Bolts	Qty	Nuts	Qty
	195-71-61550MT	2	198-72-11181MT	2	198-71-21710	22	195-71-61950	22

## Semi U End Bits

Blade Serial Number	End bit LH	Qty	End bit RH	Qty	Bolts	Qty	Nuts	Qty
	195-71-61930MT	1	195-71-61940MT	1	198-71-21720	16	195-71-61950	16

## U-Blades Edges

Blade Serial Number	Central edge	Qty	End edge	Qty	Bolts	Qty	Nuts	Qty
	198-71-11181MT	2	198-72-11181MT	2	198-71-21710	26	195-71-61950	26

## U End Bits

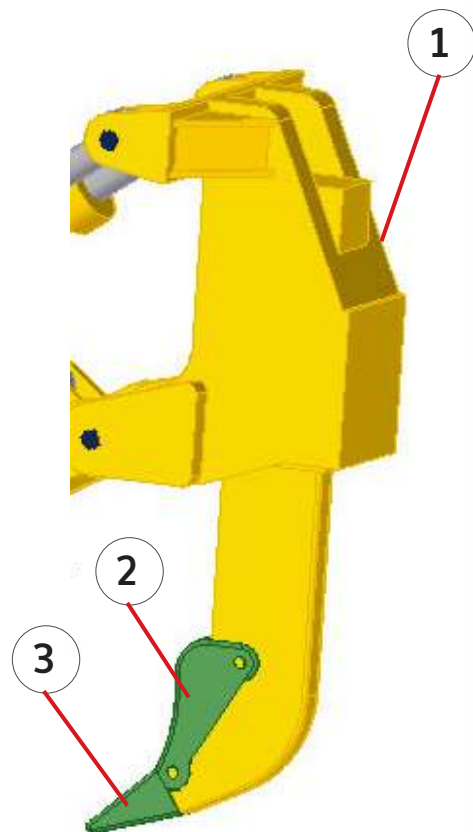
Blade Serial Number	End bit LH	Qty	End bit RH	Qty	Bolts	Qty	Nuts	Qty
	195-71-61930MT	1	195-71-61940MT	1	198-71-21720	16	195-71-61950	16

## Multi Shank Ripper

N°	Product	Part number	Qty
1	Shank	Multi Shank	195-78-71311 3
2	Shank Protector	Shank protector	195-78-71111 3
		Pin	195-78-71360 6
3	Tips	Short point (symmetry)	195-78-71370 3
		Short point (non symmetry)	195-78-71320 3
		Long point	195-78-71440 3
		Pin	195-78-71360 3

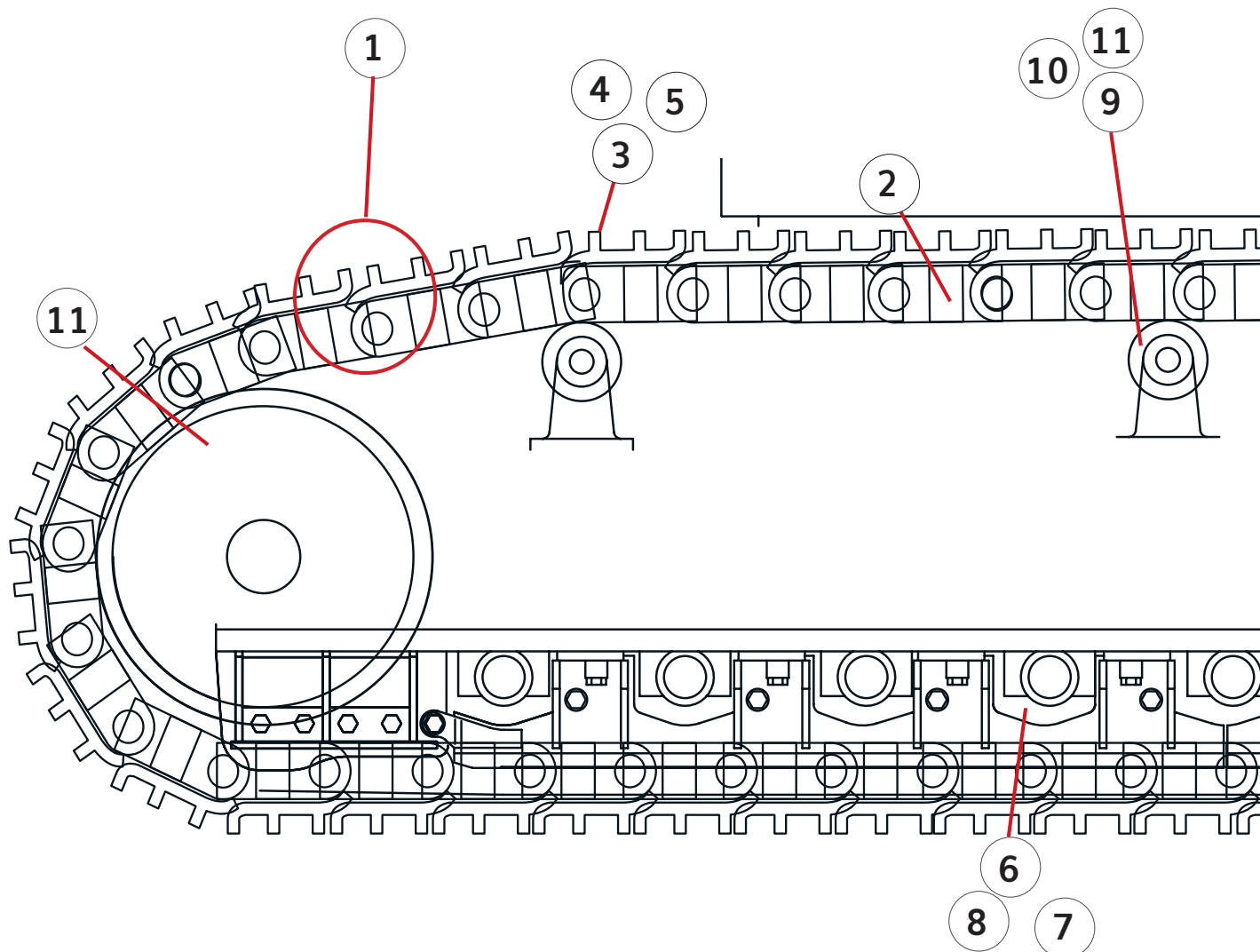
## Giant Ripper

N°	Product	Part number	Qty
1	Shank	Single Shank	195-79-51151 1
		Long Shank	195-79-51160 1
2	Shank Protector	Single Shank Protector	195-78-71111 1
		Long Shank Protector	195-78-72410 1
		Pin	195-78-71360 2
3	Tips	Short point (symmetry)	195-78-71370 1
		Short point (non symmetry)	195-78-71320 1
		Long point	195-78-71440 1
		Pin	195-78-71360 1
		Short heavy duty point (symmetry)	198-78-21370 1
		Short heavy duty point (non symmetry)	198-78-21340 1
		Pin (heavy duty)	198-78-21410 1

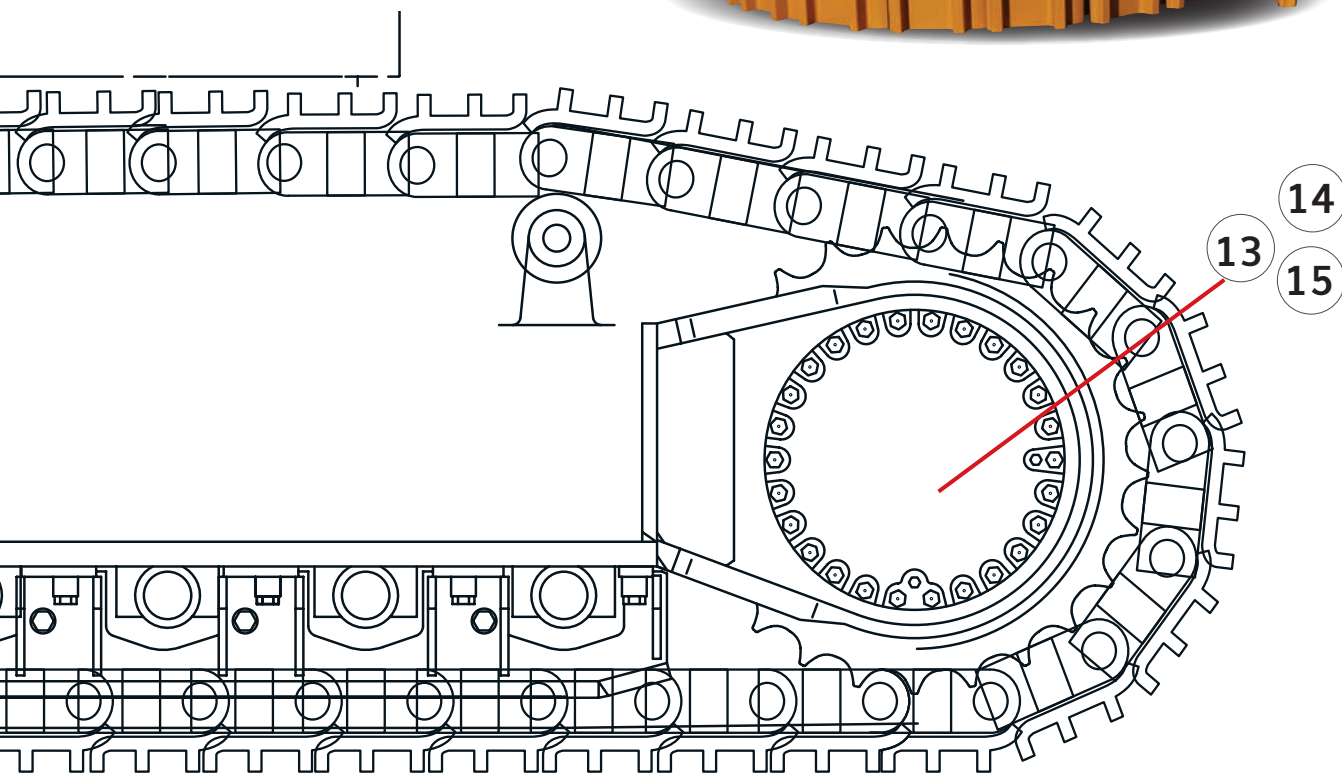


## Shoes 700 MM

N°	Product	Parts number	Qty/machine
1	Track GP	KM2347/48/700	2
2	Link assembly	KM2346/48	2
3	Shoes	KM2117/700	96
4	Shoe bolt	KM2348	384
5	Shoe nut	KM2029	384
6	Bottom roller SF	KM2503	16
7	Bottom roller Bolt	01011-63070	64
8	Bottom roller Washer	01643-33080	64
9	Carrier roller	KM2419	6
10	Carrier Bolt	TH20070/250D	24
11	Carrier Washer	RR20	24
12	Idler	KM2508	2
13	Sprocket	KM2420	2
14	Sprocket Bolt	SI1080	76
15	Sprocket Washer	KM2216	76



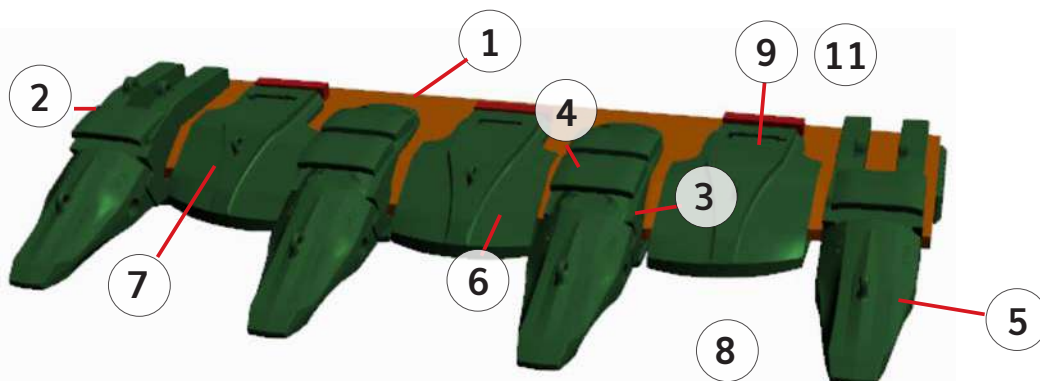




## Nemisys® - N70

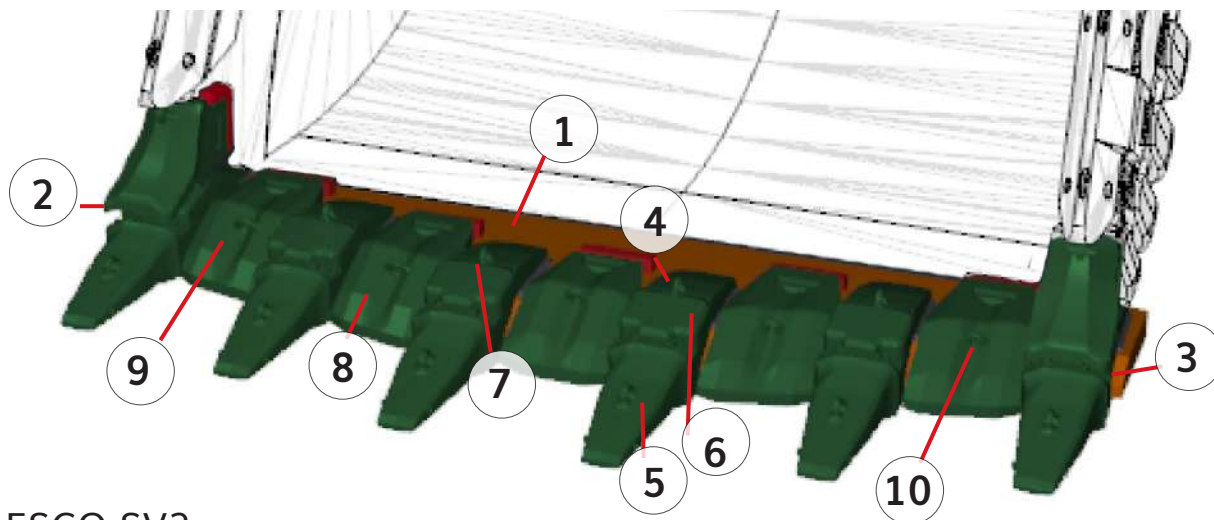
Bucket 6,73 m<sup>3</sup> / 1880 mm Inner width

Upload Bucket Performances  
more informations p. 15



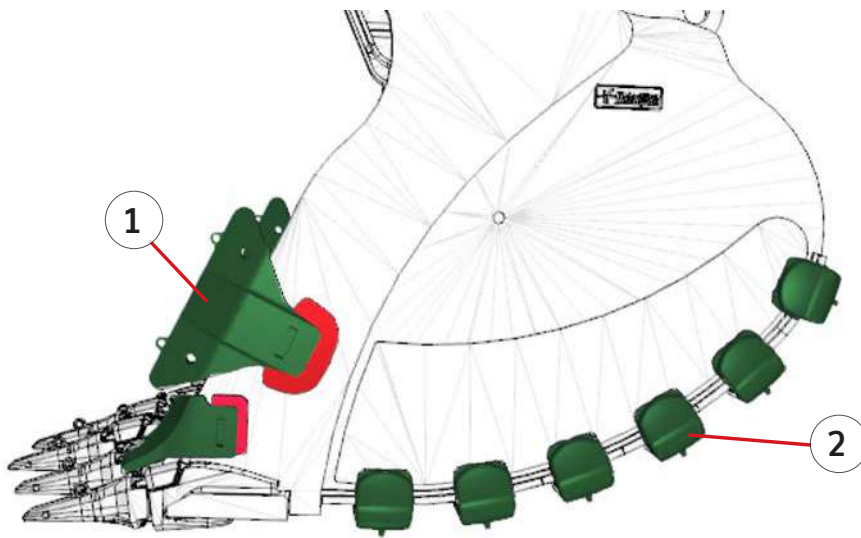
### ESCO NEMISYS **New System**

N°	Product	Part Number	Qty
1	EDGE	HALF SPADE 100 mm	1
2	STRADDLE LEG	N70-H100X30WS	2
3	ADAPTER	N70-H100X30W	2
4	WEAR CAP	N70HWC	2
5	TOOTH	N70S	4
6	LIP SHROUD	TBC100X375-2	1
7	LIP SHROUD	TBC100X375-1L	1
8	LIP SHROUD	TBC100X375-1R	1
9	BOSS	TBB	3
11	PIN	TBP	3



### HD ESCO SV2

N°	Product	Part Number	Qty
1	EDGE	HALF SPADE 100 mm	1
2	LEFT ADAPTER	6839L-70SV2	1
3	RIGHT ADAPTER	6839R-70SV2	1
4	CENTRAL ADAPTER	5897W-70SV2	2
5	TOOTH	70SV2SD	4
6	PIN	70SV2PN-C	4
7	WEAR CAP	WC270	2
8	LIP SHROUD	TBC100X375-2	1
9	LIP SHROUD	TBC100X375-1L	1
10	LIP SHROUD	TBC100X375-1R	1
11	BOSS	TBB	3
12	PIN	TBP	3



## WEAR KIT

N°	Product	Part Number
1	WING SHROUD	1122492
2	CORNER WEAR SHOES	BFF-2
	Infinity wear buttons Ø 50 mm TH 25 mm	WB50
	Infinity wear buttons Ø 75 mm TH 25 mm	WB75
	Infinity wear buttons Ø 90 mm TH 30 mm	WB90
	Infinity wear buttons Ø 115 mm TH 32 mm	WB115
	Infinity wear buttons Ø 150 mm TH 35 mm	WB150
	Infinity wear bars width 25 mm TH 23 mm	CB25
	Infinity wear bars width 38 mm TH 23 mm	CB40
	Infinity wear bars width 50 mm TH 23 mm	CB50
	Infinity wear bars width 65 mm TH 23 mm	CB65
	Infinity wear bars width 90 mm TH 23 mm	CB90
	Infinity wear bars width 100 mm TH 23 mm	CB100
	Infinity wear bars width 25 mm TH 23 mm	CB130



## OUTSIDE WEAR KIT

N°	Product
6810W-85SV2	
BAR3000	
Upper bottom wear plate	
Bended wear plate	
1 Horizontale wear part out bottom	

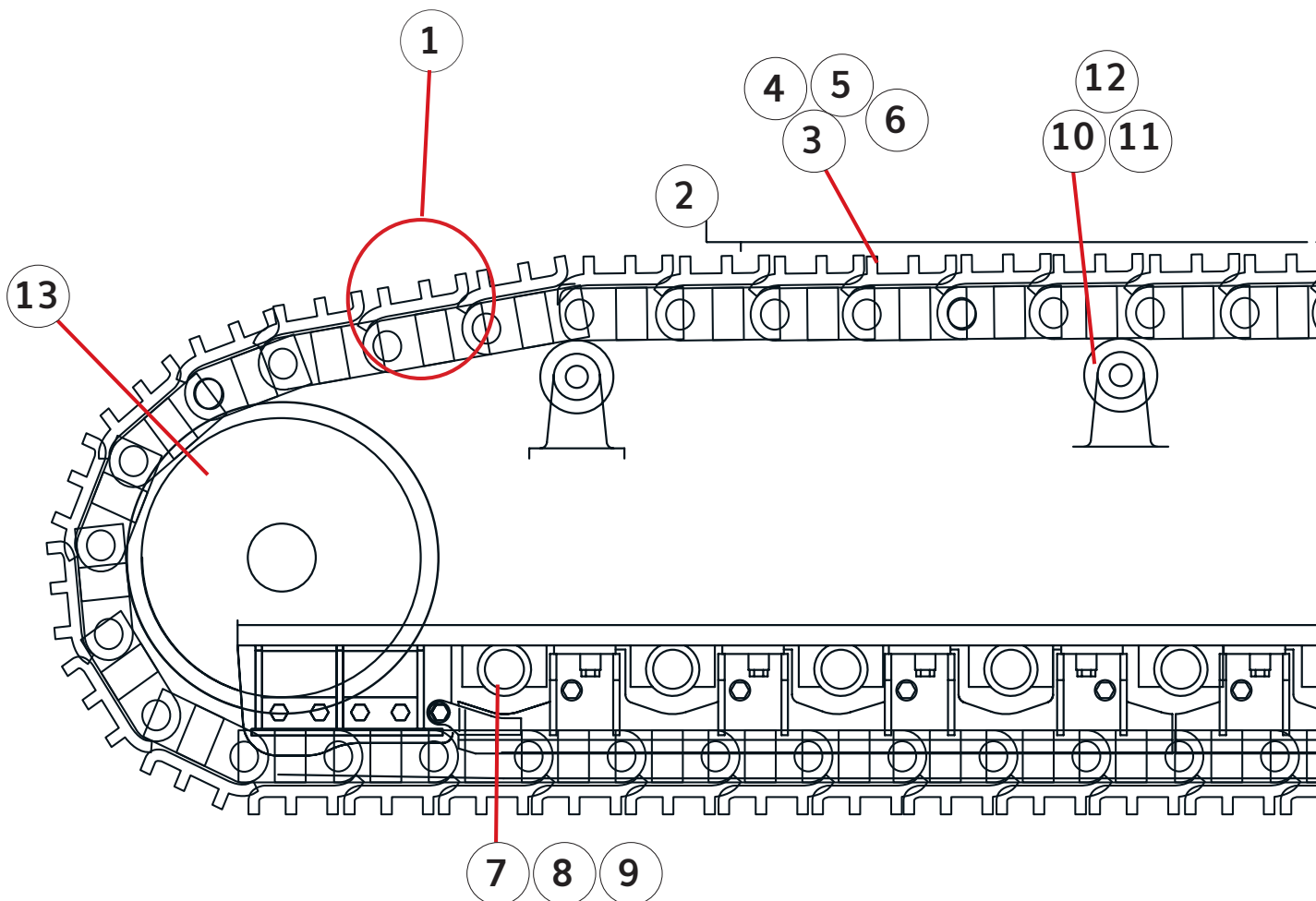


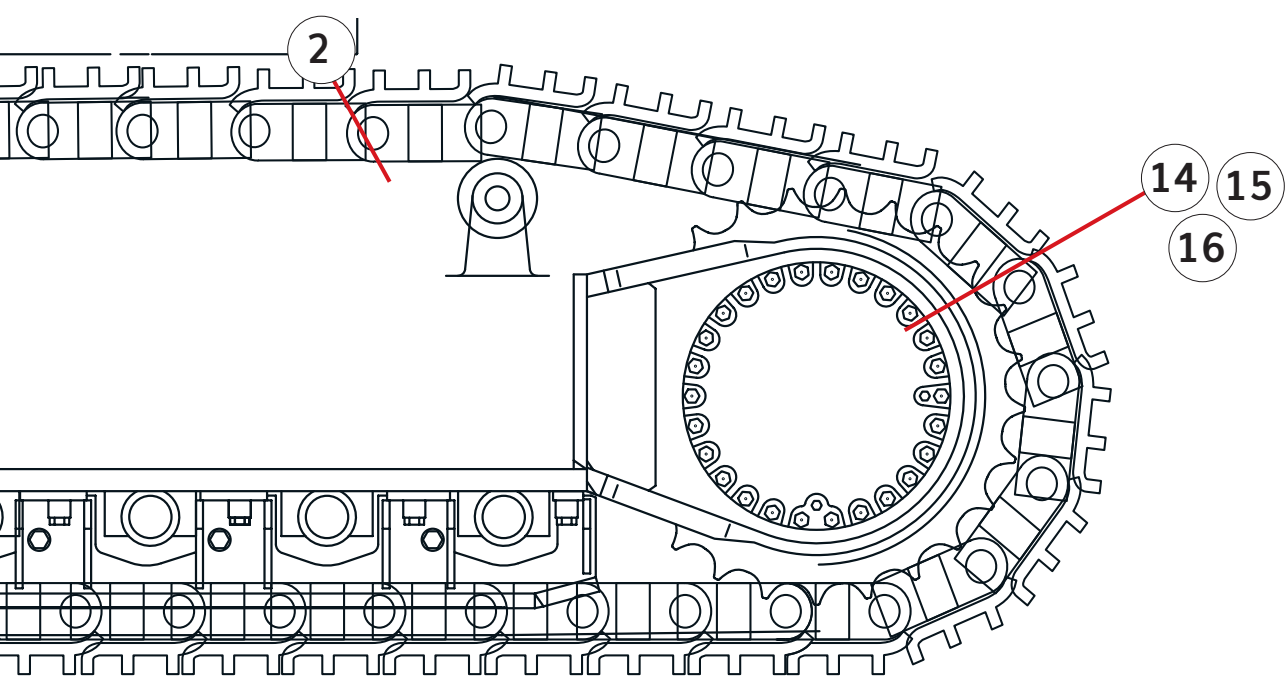
## INSIDE WEAR KIT

N°	Product
	fullwear plate inside bottom
	Inside right upside Wear part
	Inside right low side Wear part
	Inside left upside Wear part
	Inside left low side Wear part

## Shoes 800 MM

N°	Product	Parts number	Qty/machine
1	Track GP	KM3457/49/800	2
2	Link assembly	KM3458/49	2
3	Shoes	KM3459/800	98
4	Shoe bolt	KM3465	392
5	Shoe nut	KM2029	392
6	KEY	KM3148	196
7	Bottom roller	21T-30-00211I	16
8	Bottom roller Bolt	156-70-12-250	64
9	Bottom roller Washer	01643-33080	64
10	Carrier roller	21T-30-00220I	6
11	Carrier Bolt	01011-62410	12
12	Carrier Washer	01643-32460	12
13	Idler	21T-30-00381I	2
14	Sprocket	KM3424	2
15	Sprocket Bolt	21T-27-11890	50
16	Sprocket Washer	01643-33380	50

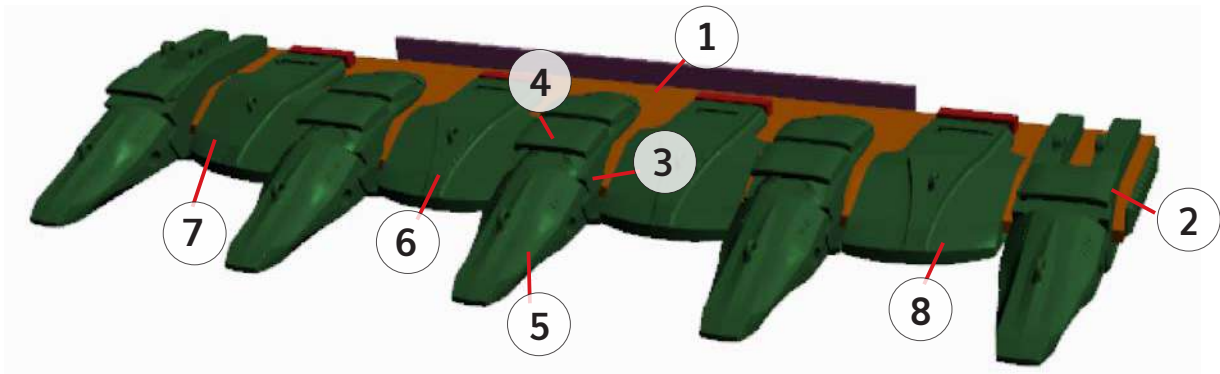




## Nemisys® - N70

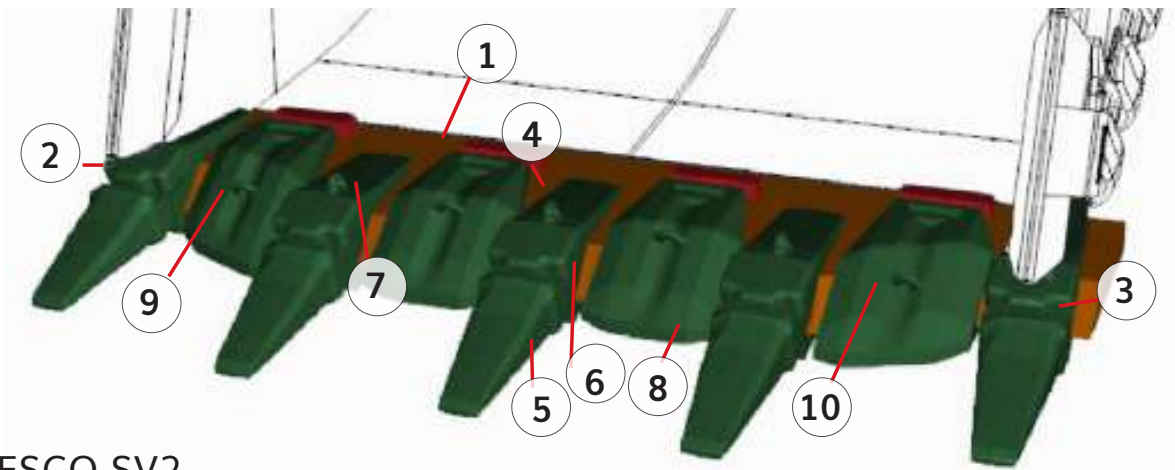
Bucket 10,3 m³ / 220 0 mm Inner width

Upload Bucket Performances  
more informations p. 15



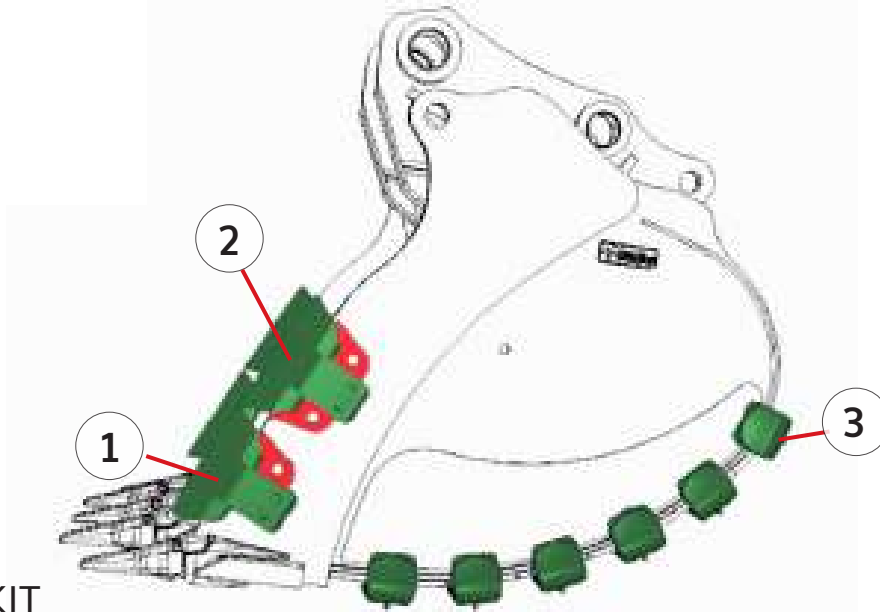
### ESCO NEMISYS **New System**

N°	Product	Part Number	Qty
1	EDGE	HALF SPADE 100 mm	1
2	STRADDLE LEG	N70-H100X30WS	2
3	ADAPTER	N70-H100X30W	3
4	WEAR CAP	N70HWC	3
5	TOOTH	N70S	5
6	LIP SHROUD	TBC100X290-3	2
7	LIP SHROUD	TBC100X290-4LA	1
8	LIP SHROUD	TBC100X290-4RA	1
9	BOSS	TBB	4
10	PIN	TBP	4



### HD ESCO SV2

N°	Product	Part Number	Qty
1	EDGE	HALF SPADE 100 mm	1
2	LEFT ADAPTER	6839L-75SV2	1
3	RIGHT ADAPTER	6839R-75SV2	1
4	CENTRAL ADAPTER	5897W-75SV2	3
5	TOOTH	75SV2SD	5
6	PIN	75SV2PN-C	5
7	WEAR CAP	WC275	3
8	LIP SHROUD	TBC100X290-3	2
9	LIP SHROUD	TBC100X290-4LA	1
10	LIP SHROUD	TBC100X290-4RA	1
11	BOSS	TBB	4
12	PIN	TBP	4



## WEAR KIT

N°	Product	Part Number
1	LOWER WING SHROUD	TAW75-1
2	WING SHROUD	TBW75X545-1A
3	CORNER WEAR SHOES	BFF-5
	Infinity wear buttons Ø 50 mm TH 25 mm	WB50
	Infinity wear buttons Ø 75 mm TH 25 mm	WB75
	Infinity wear buttons Ø 90 mm TH 30 mm	WB90
	Infinity wear buttons Ø 115 mm TH 32 mm	WB115
	Infinity wear buttons Ø 150 mm TH 35 mm	WB150
	Infinity wear bars width 25 mm TH 23 mm	CB25
	Infinity wear bars width 38 mm TH 23 mm	CB40
	Infinity wear bars width 50 mm TH 23 mm	CB50
	Infinity wear bars width 65 mm TH 23 mm	CB65
	Infinity wear bars width 90 mm TH 23 mm	CB90
	Infinity wear bars width 100 mm TH 23 mm	CB100
	Infinity wear bars width 25 mm TH 23 mm	CB130




## OUTSIDE WEAR KIT

N°	Product
	6810W-85SV2
	BAR3000
	Upper bottom wear plate
	Bended wear plate
	1 Horizontale wear part out bottom



## INSIDE WEAR KIT

N°	Product
	fullwear plate inside bottom
	Inside right upside Wear part
	Inside right low side Wear part
	Inside left upside Wear part
	Inside left low side Wear part

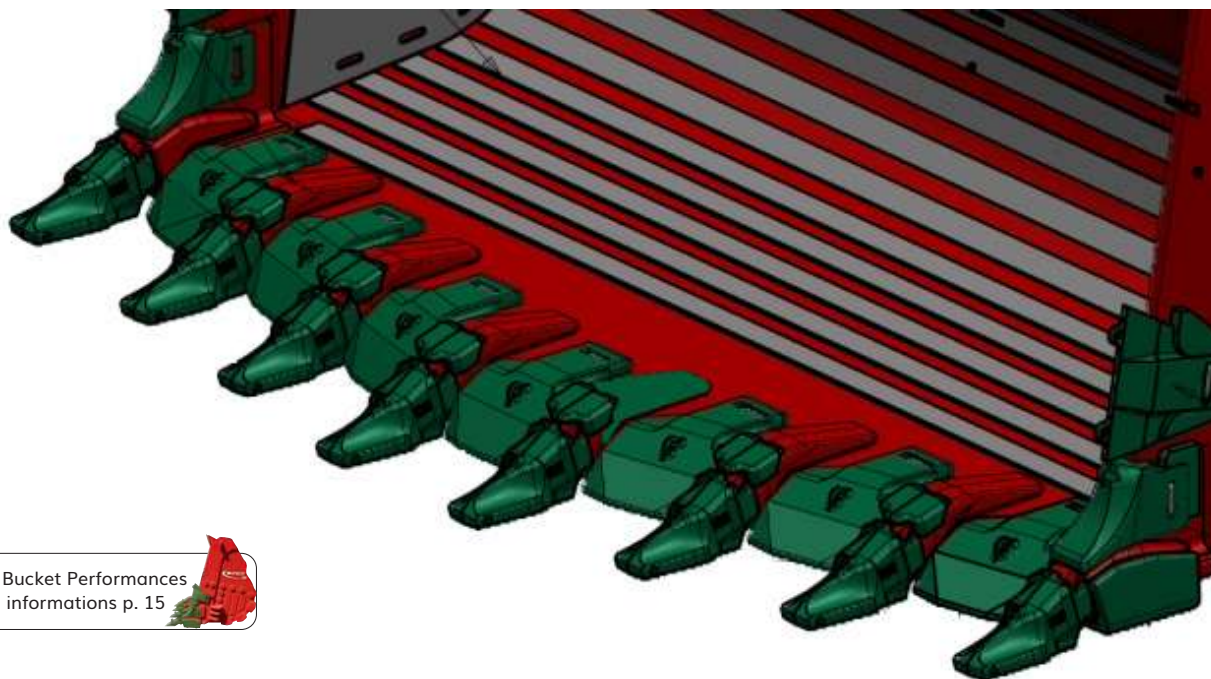
Upload Bucket Performances  
more informations p. 15 

N°	Product	Part Number	Qty
	8813A-U55		8
	BL6080-780		7
	U55AP		8





Bucket 4600 mm Inner width



Upload Bucket Performances  
more informations p. 15



## HD ESCO Conversion High abrasion

N°	Product	Part Number	Qty
1	EDGE	HALF SPADE 75 mm	1
2	ADAPTER LEFT	6830WL-65SV2	3
3	ADAPTER RIGHT	3830WR-65SV2	3
4	STRADDLE LEG LEFT	6857L-65SV2	1
5	STRADDLE LEG RIGHT	6857R-65SV2	1
6	TOOTH	65SV2AG	8
8	PIN	65SV2PN-C	8
7	WEAR CAP	WC265	6
8	LIP SHROUD	TAC75X430-1	1
9	LIP SHROUD	TAC75X430-2L	2
10	LIP SHROUD	TAC75X430-2R	2
11	LIPSHROUD	TAC75X430-3L	1
12	LIP SHROUD	TAC75X430-3R	1
13	PIN	TAP	7
14	BOSS	TAB	7
15	CAST CORNER	CC70X50L	1
16	CAST CORNER	CC70X50R	1
17	LOWER WING SHROUD	TAW50-1	2
18	PIN	TAP	2
19	BOSS	TAB	2

Upload Bucket Performances  
more informations p. 15



Blade Serial Number	Edge	Qty	End bit	Qty	Bolts	Qty	Nuts	Qty
11001-12000	235-70-12140MT	2	234-70-32230MT	2	234-70-32260	22	234-70-32290	22
12001-12091+ or wide edge for 11001-12000	235-70-12320MT	2	234-70-32230MT	2	234-70-32260	22	234-70-32290	22

N°	Product	Part number	Qty
1	Shank	235-785-1250	3
2	Point	235-785-1310	3
3	Pin	09244-02516	3





**Komatsu®**  
HD465-7  
HD785-7  
D275A-5  
D375A-6  
PC1250SP-8  
**PC2000-8**  
WA600-6  
WA800  
GD825A-2

**Partinium® program****Electrical Parts**

	PRODUCT	PART NUMBER	QTY
Alternator	ALTERNATOR	17204355-P	1
Starting motor	STARTER MOTOR	11423474-P	1
Lights	LAMP	15038957-P	2
	WORK LAMP	11039846-P	4
	ROTATING BEACON	11170098-P	1
	ROTATING BEACON	11170098-P	1

**Engine Parts**

	PRODUCT	PART NUMBER	QTY
Turbocharger	TURBOCHARGER	15096753-P	1

**Air conditioning**

	PRODUCT	PART NUMBER	QTY
Compressor	COMPRESSOR	14659238-P	1
Miscellaneous	FILTRE CAB	15052786-P	1
	FILTRE CAB	11703980-P	1

**Cab parts**

	PRODUCT	PART NUMBER	QTY
Windows	WIPER BLADE	11200698-P	1
	LAE ESSU. GL	11059958-P	2
	GLASS	15082401-P	1
	GLASS	15082426-P	1
	WINDSCREEN	15074447-P	1
	WINDSCREEN	15074265-P	1
	WINDSCREEN	15073926-P	1
	SIDE WINDOW PANE	15153214-P	1
	SLIDING WINDOW	15187349-P	1
	REAR WINDOW	15156125-P	1
	REAR WINDOW	15156126-P	1
	SLIDING WINDOW	15187342-P	1
Mirrors	REAR VIEW MIRROR	15099010-P	2
	MIRROR GLASS	15195672-P	2
	WIDE VIEW MIRROR	15086097-P	2
	REAR VIEW MIRROR	16283789-P	2
	MIRROR GLASS	15195813-P	2
	REAR VIEW MIRROR	15165037-P	2
Seat	GLACE RETROVISEUR	15195803-P	2
	ARM REST	11191410-P	1

**Frame**

	PRODUCT	PART NUMBER	QTY
Articulation	BEARING KIT	11195856-P	2
Bogie Suspension	RUBBER SPRING	15167172-P	4
Chassis	SPHERICAL PLAIN BEARING	11056114-P	2

### Power Train and braking system

	PRODUCT	PART NUMBER	QTY
Front Axle	ROLLER BEARING	11035994-P	1
	STATOR	11143287-P	12
	BRAKE DISC	11143290-P	12
	STATOR	11143365-P	2
	ROLLER BEARING	11051958-P	3
Middle Axle	STATOR	11143365-P	2
	STATOR	11143287-P	6
	BRAKE DISC	11143290-P	6
Rear Axle	ROLLER BEARING	11035994-P	1
	STATOR	11143365-P	2
	STATOR	11143287-P	6
	BRAKE DISC	11143290-P	6
Power Take Off	ROLLER BEARING	183839-P	2
	ROLLER BEARING	183839-P	2
	BALL BEARING	183408-P	2
	BALL BEARING	7019283-P	2
	BALL BEARING	984331-P	1
	BALL BEARING	181522-P	1
Transmission	STEEL DISC	15067330-P	REQ
	FRICTION DISC	17205742-P	5
	BALL BEARING	15193808-P	1
	ROLLER BEARING	6210074-P	1
	ROLLER BEARING	11144147-P	1
	ROLLER BEARING	11144149-P	1
	ROLLER BEARING	7011067-P	1
	BALL BEARING	7011018-P	1
Shaft line	PROPELLER SHAFT	15013306-P	1
	PROPELLER SHAFT	15013308-P	1
	PROPELLER SHAFT	15013313-P	1
	PROPELLER SHAFT	15013309-P	1
	FLANGE YOKE	20471436-P	2
	SPIDER KIT	1068253-P	2
	SPIDER	11994312-P	2
	SPIDER	11701338-P	2
	COMPANION FLANGE	11701300-P	2
	SPIDER KIT	1068250-P	2
	COMPANION FLANGE	11703680-P	2
	SPIDER	1068247-P	2
	BEARING	11193687-P	1

### Hydraulic

	PRODUCT	PART NUMBER	QTY
Brake accumulator	ACCUMULATOR	17262260-P	7
Hydraulic pumps	HYDRAULIC PUMP	11194650-P	1
	HYDRAULIC PUMP	11118936-P	1
	HYDRAULIC PUMP	15079594-P	1
	HYDRAULIC PUMP	17458125-P	1
	HYDRAULIC PUMP	11190766-P	1
	HYDRAULIC PUMP	17458121-P	1
	HYDRAULIC PUMP	15140666-P	1
	HYDRAULIC PUMP	17458128-P	1
	HYDRAULIC PUMP	15191773-P	1
	HYDRAULIC PUMP	17468429-P	1
	HYDRAULIC PUMP	15020161-P	1
Hydraulic Motors	HYDRAULIC MOTOR	11116529-P	1

**Partinium® program****Electrical Parts**

	PRODUCT	PART NUMBER	QTY
Alternator	ALTERNATOR	15063541-P	1
Battery	BATTERY MAIN SWITCH	3987034-P	1
Lights	LAMP	11117853-P	1
	FLASHER	11113311-P	2
	LAMP	15038957-P	2
	WORK LAMP	11039846-P	1
	WORK LAMP	11039846-P	2
	ROTATING BEACON	11170098-P	1
Starting motor	STARTER MOTOR	17233221-P	1

**Engine Parts**

	PRODUCT	PART NUMBER	QTY
Filters	FLT HUILE	21707132-P	1
	COOLANT FI	11110683-P	1
	FUEL FLT	15126069-P	1
Fuel System	UNIT INJECTOR	20929906-P	6

**Air conditioning**

	PRODUCT	PART NUMBER	QTY
Compressor	COMPRESSOR	14659238-P	1
Fan	FAN N/R	11006834-P	1
Miscellaneous	FILTRE CAB	15052786-P	1
	FILTRE CAB	11703980-P	1

**Cab parts**

	PRODUCT	PART NUMBER	QTY
Mirrors	REAR VIEW MIRROR	11121152-P	2
	REAR VIEW MIRROR	11121153-P	2
Seat	SEAT	17401292-P	1
Spring gas	VERIN A GAZ	17208460-P	1
Windows	WIPER MOTOR	15041090-P	1
	WIPER ARM	11193723-P	1
	LAE ESSU. GL	11059958-P	1
	LAE ESSU. GL	11059958-P	1

**Hydraulic**

	PRODUCT	PART NUMBER	QTY
Brake accumulator	ACCUMULATOR	17262260-P	10
	ACCUMULATOR	17262260-P	1
Hydraulic Motors	HYDRAULIC MOTOR	11116529-P	1
Hydraulic pumps	HYDRAULIC PUMP	11194650-P	1
	HYDRAULIC PUMP	11190766-P	1
	HYDRAULIC PUMP	15020179-P	1
	HYDRAULIC PUMP	11118936-P	1
	HYDRAULIC PUMP	15079594-P	1
	HYDRAULIC PUMP	15020161-P	1
	HYDRAULIC PUMP	15020156-P	1
	HYDRAULIC PUMP	15020177-P	1

### Power Train and braking system

	PRODUCT	PART NUMBER	QTY
Front Axle	STATOR	11143365-P	2
	STATOR	11143287-P	12
	BRAKE DISC	11143290-P	12
Gearbox	ROLLER BEARING	7011067-P	1
	ROLLER BEARING	6210074-P	1
	ROLLER BEARING	11144149-P	1
	ROLLER BEARING	7011067-P	1
	BALL BEARING	7011018-P	1
Middle Axle	ROLLER BEARING	184866-P	2
	ROLLER BEARING	11000274-P	1
	STATOR	11143365-P	2
	STATOR	11143287-P	8
Parking Brake	BRAKE DISC	11143290-P	8
	BRAKE	11707755-P	1
Power Take Off	ROLLER BEARING	183839-P	8
Rear Axle	STATOR	11143365-P	2
	STATOR	11143287-P	8
	BRAKE DISC	11143290-P	2
Shaft line		1069500-P	1
	FLANGE YOKE	20471436-P	2
	SPIDER KIT	1068253-P	2
	PROPELLER SHAFT	15013306-P	1
	SPIDER	11994312-P	2
	PROPELLER SHAFT	15013308-P	1
	SPIDER	11701338-P	2
	PROPELLER SHAFT	15013314-P	1
	COMPANION FLANGE	11701300-P	2
	SPIDER KIT	1068250-P	2
	PROPELLER SHAFT	15013312-P	2
	SPIDER	1068247-P	2
	COMPANION FLANGE	11703680-P	2
	BEARING	11193687-P	1
Transmission	STEEL DISC	15067330-P	REQ
	FRICTION DISC	17205742-P	5
	FRICTION DISC	17205742-P	7
	BALL BEARING	15193808-P	1

## Partinium® program



### Electrical Parts

	PRODUCT	PART NUMBER	QTY	
Alternator	ALTERNATOR	17204355-P	1	
Starting motor	STARTER MOTOR	17233221-P	1	
	STARTER MOTOR	11423474-P	1	
Lights	POSITION LAMP	15071272-P	2	
	HEADLAMP	15196670-P	2	
	LAMP	15038957-P	2	
	WORK LAMP	11039846-P	4	
Starting motor	ROTATING BEACON	11170098-P	1	

### Engine Parts

	PRODUCT	PART NUMBER	QTY	
Fuel System	UNIT INJECTOR	20929906-P	6	
Belts, tensionners and pulleys	BALL BEARING	17248194-P	1	
Filters	FLT HUILE	21707132-P	1	
	FUEL FLT	15126069-P	1	
	COOLANT FI	11110683-P	1	
	FILTRE CAB	15052786-P	1	
	FILTRE CAB	11703980-P	1	

### Air conditioning

	PRODUCT	PART NUMBER	QTY	
Compressor	COMPRESSOR	14659238-P	1	

### Cab parts

	PRODUCT	PART NUMBER	QTY	
Windows	ARM	15185450-P	1	
	WIPER BLADE	11200698-P	1	
	LAE ESSU. GL	11059958-P	1	
	GLASS	15082401-P	1	
	GLASS	15082426-P	1	
	WINDSCREEN	15074447-P	1	
	WINDSCREEN	15074265-P	1	
	WINDSCREEN	15073926-P	1	
	SIDE WINDOW PANE	15153214-P	1	
	SLIDING WINDOW	15187349-P	1	
	REAR WINDOW	15156125-P	1	
REAR WINDOW	15156126-P	1		
SLIDING WINDOW	15187342-P	1		
Mirrors	REAR VIEW MIRROR	15099010-P	2	
	MIRROR GLASS	15195672-P	2	
	WIDE VIEW MIRROR	15086097-P	2	
	REAR VIEW MIRROR	11121152-P	2	
	REAR VIEW MIRROR	16283789-P	1	Heated
	MIRROR GLASS	15195813-P	1	Heated
REAR VIEW MIRROR	15165037-P	2	Heated	
Seat	ARM REST	11191410-P	1	

### Frame

	PRODUCT	PART NUMBER	QTY	
Articulation	BEARING KIT	11195856-P	2	
Bogie Suspension	RUBBER SPRING	15167172-P	4	Standard Arrangement
Body	RUBBER ELEMENT	11198265-P	2	
	SPHERICAL PLAIN BEARING	11056114-P	2	



## Power Train and braking system

	PRODUCT	PART NUMBER	QTY	
Front Axle	ROLLER BEARING	11000274-P	1	For Axle 56103 (SN 320259-)
	ROLLER BEARING	11035994-P	1	For Axle 56103 (SN 320259-)
	STATOR	11143365-P	2	
	STATOR	11143287-P	12	
	BRAKE DISC	11143290-P	12	
Middle Axle	ROLLER BEARING	184866-P	2	
	ROLLER BEARING	11000274-P	1	For Axle 56104 (SN 320259-)
	STATOR	11143365-P	2	
	STATOR	11143287-P	8	
	BRAKE DISC	11143290-P	8	
Rear Axle	ROLLER BEARING	11035994-P	1	For Axle 56105 (S/N 320259-)
	STATOR	11143365-P	2	
	STATOR	11143287-P	8	
	BRAKE DISC	11143290-P	8	
Power Take Off	BALL BEARING	183408-P	2	
	BALL BEARING	7019283-P	2	
	ROLLER BEARING	183839-P	4	
	BALL BEARING	984331-P	1	
Parking Brake	HANDBRAKE	16860379-P	1	
	BRAKE SERVO	17411281-P	1	
Gearbox	STEEL DISC	15067330-P	REQ	
	FRICTION DISC	17205742-P	5	
	STEEL DISC	15067330-P	REQ	
	FRICTION DISC	17205742-P	5	
	STEEL DISC	15067330-P	REQ	THICK = 2,4mm
	BALL BEARING	15193808-P	1	
	ROLLER BEARING	7011067-P	1	
	ROLLER BEARING	11144147-P	1	
	ROLLER BEARING	6210074-P	1	
	ROLLER BEARING	11144149-P	1	
	ROLLER BEARING	7011067-P	1	
Shaft line	BALL BEARING	7011018-P	1	
	PROPELLER SHAFT	1069500-P	1	
	PROPELLER SHAFT	15013306-P	1	
	PROPELLER SHAFT	15013308-P	1	
	PROPELLER SHAFT	15013314-P	1	
	PROPELLER SHAFT	15013312-P	1	
	FLANGE YOKE	20471436-P	2	
	SPIDER KIT	1068253-P	2	
	SPIDER	11994312-P	2	
	SPIDER	11701338-P	2	
	COMPANION FLANGE	11701300-P	2	
	SPIDER KIT	1068250-P	2	
	COMPANION FLANGE	11703680-P	2	
	SPIDER	1068247-P	2	
BEARING	11193687-P	1		

## Hydraulic

	PRODUCT	PART NUMBER	QTY	
Brake accumulator	ACCUMULATOR	17262260-P	7	Arctic Kit -30°C & -40°C
Hydraulic pumps	HYDRAULIC PUMP	11194650-P	1	Except France
	HYDRAULIC PUMP	11118936-P	1	For France
	HYDRAULIC PUMP	15079594-P	1	
	HYDRAULIC PUMP	17458125-P	1	
	HYDRAULIC PUMP	11190766-P	1	
	HYDRAULIC PUMP	17458121-P	1	
	HYDRAULIC PUMP	15140666-P	1	
	HYDRAULIC PUMP	17458128-P	1	
	HYDRAULIC PUMP	15191773-P	1	
	HYDRAULIC PUMP	17468429-P	1	
	HYDRAULIC PUMP	15020161-P	1	
Hydraulic Motors	FAN MOTOR	15070857-P	1	
	HYDRAULIC MOTOR	11116529-P	1	

## Partinium® program



### Electrical Parts

	PRODUCT	PART NUMBER	QTY	
Alternator	ALTERNATOR	15196041-P	1	
	LAMP	15038957-P	2	
Lights	WORK LAMP	11039846-P	1	Entrance light
	WORK LAMP	11039846-P	2	Halogen work lights
	WORK LAMP	11039846-P	1	Halogen Back-up light
Starting motor	STARTER MOTOR	11423474-P	1	For Engine D16E & D16F Stage II

### Engine Parts

	PRODUCT	PART NUMBER	QTY	
Filters	FLT HUILE	21707132-P	1	
	FUEL FLT	15126069-P	1	
	COOLANT FI	11110683-P	1	
	FILTRE CAB	15052786-P	1	
	FILTRE CAB	11703980-P	1	
Fuel System	UNIT INJECTOR	20929906-P	6	For Engine D16G STAGE II
Turbocharger	TURBOCHARGER	15096757-P	1	For Engine D16F STAGE II

### Air conditioning

	PRODUCT	PART NUMBER	QTY	
Compressor	COMPRESSEUR	15082727-P	1	

### Cab parts

	PRODUCT	PART NUMBER	QTY	
Mirrors	REAR VIEW MIRROR	11121152-P	2	
Windows	WIPER BLADE	11200698-P	1	
	LAE ESSU. GL	11059958-P	1	
	LAE ESSU. GL	11059958-P	1	
	BATTERY MAIN SWITCH n/r	3987034-P	1	
	GLASS	15082401-P	1	
	GLASS	15082426-P	1	
	WINDSCREEN	15074447-P	1	Standard Cab
	WINDSCREEN	15074265-P	1	Standard Cab
	WINDSCREEN	15073926-P	1	Standard Cab
	SIDE WINDOW PANE	15153214-P	1	Standard Cab
	SLIDING WINDOW	15187349-P	1	Standard Cab
	REAR WINDOW	15156125-P	1	Standard Cab
	REAR WINDOW	15156126-P	1	Standard Cab
SLIDING WINDOW	15187342-P	1	Standard Cab	

### Hydraulic

	PRODUCT	PART NUMBER	QTY	
Hydraulic motors	HYDRAULIC MOTOR	17431338-P	1	
	HYDRAULIC PUMP	11194650-P	1	
	HYDRAULIC PUMP	17458121-P	1	
	HYDRAULIC PUMP	17458128-P	1	
	HYDRAULIC PUMP	17438878-P	1	
	HYDRAULIC PUMP	17487754-P	1	
	HYDRAULIC PUMP	17487751-P	1	
	HYDRAULIC PUMP	17507437-P	1	
	HYDRAULIC PUMP	17513673-P	1	
	HYDRAULIC PUMP	17513676-P	1	

## Power Train and braking system

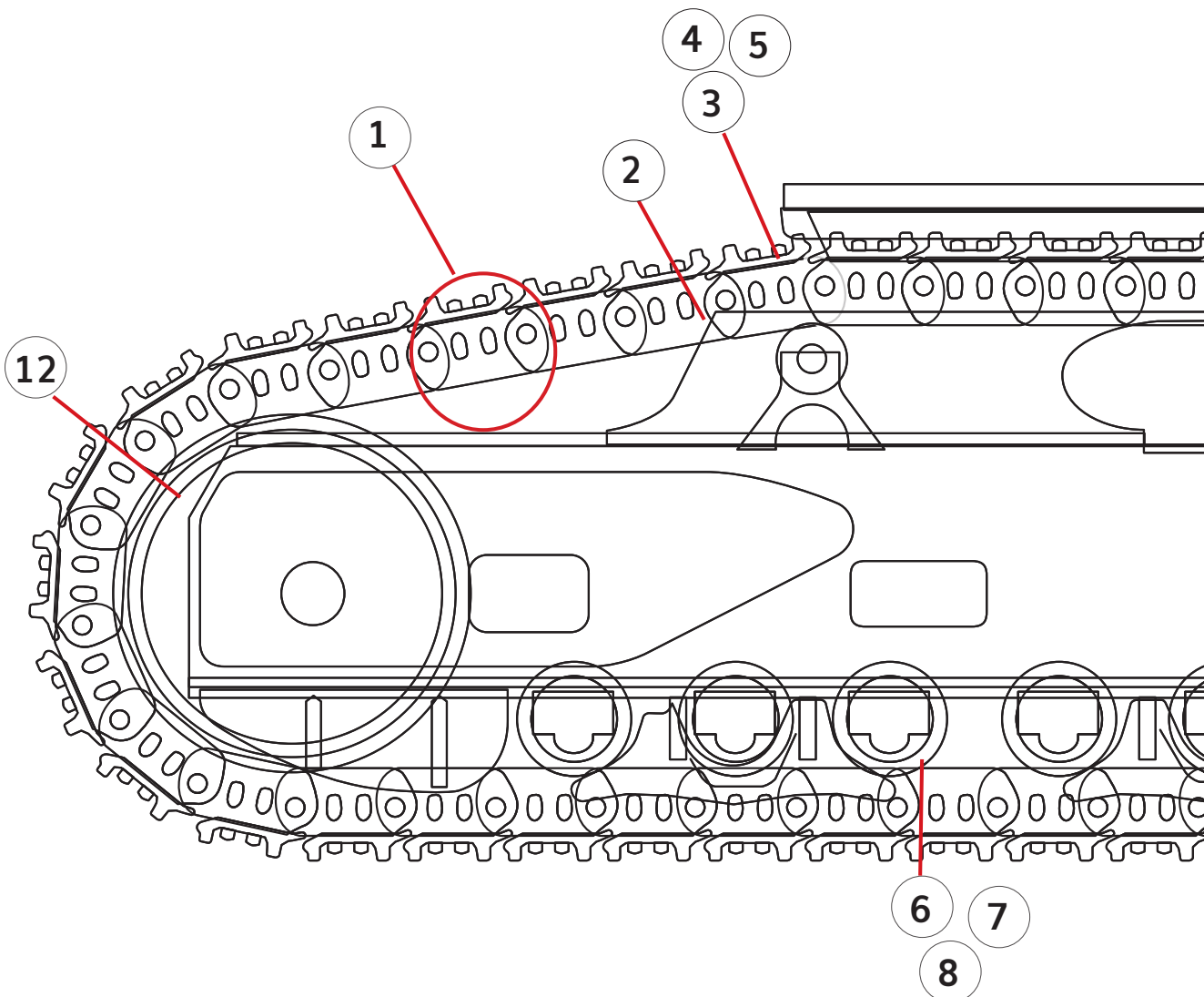
	PRODUCT	PART NUMBER	QTY	
Front Axle	ROLLER BEARING	11000274-P	1	
	ROLLER BEARING	11035994-P	1	
	STATOR	11143365-P	2	
	STATOR	11143287-P	12	
	BRAKE DISC	11143290-P	12	
Gearbox	STEEL DISC	15067330-P	REQ	THICK = 2,4mm
	FRICITION DISC	17205742-P	10	
	BALL BEARING	15193808-P	1	
Middle Axle	ROLLER BEARING	184866-P	2	
	ROLLER BEARING	11000274-P	1	
	STATOR	11143365-P	2	
	STATOR	11143287-P	8	
	BRAKE DISC	11143290-P	8	
Power Take Off	ROLLER BEARING	183839-P	4	
	BALL BEARING	183408-P	2	
	BALL BEARING	7019283-P	2	
Rear Axle	ROLLER BEARING	11000274-P	1	
	ROLLER BEARING	11035994-P	1	
	STATOR	11143365-P	2	
	STATOR	11143287-P	8	
	BRAKE DISC	11143290-P	8	
Shaft line	PROPELLER SHAFT	1069500-P	1	
	PROPELLER SHAFT	15013306-P	1	
	PROPELLER SHAFT	15013308-P	1	
	PROPELLER SHAFT	15013314-P	1	
	PROPELLER SHAFT	15013312-P	1	
	FLANGE YOKE	20471436-P	2	
	SPIDER KIT	1068253-P	2	
	SPIDER	11994312-P	2	
	SPIDER	11701338-P	2	
	COMPANION FLANGE	11701300-P	2	
	SPIDER KIT	1068250-P	2	
	COMPANION FLANGE	11703680-P	2	
	SPIDER	1068247-P	2	
	BEARING	11193687-P	1	
Transfer box	ROLLER BEARING	7011067-P	2	
	ROLLER BEARING	6210074-P	1	
	ROLLER BEARING	11144149-P	1	
	BALL BEARING	7011018-P	1	

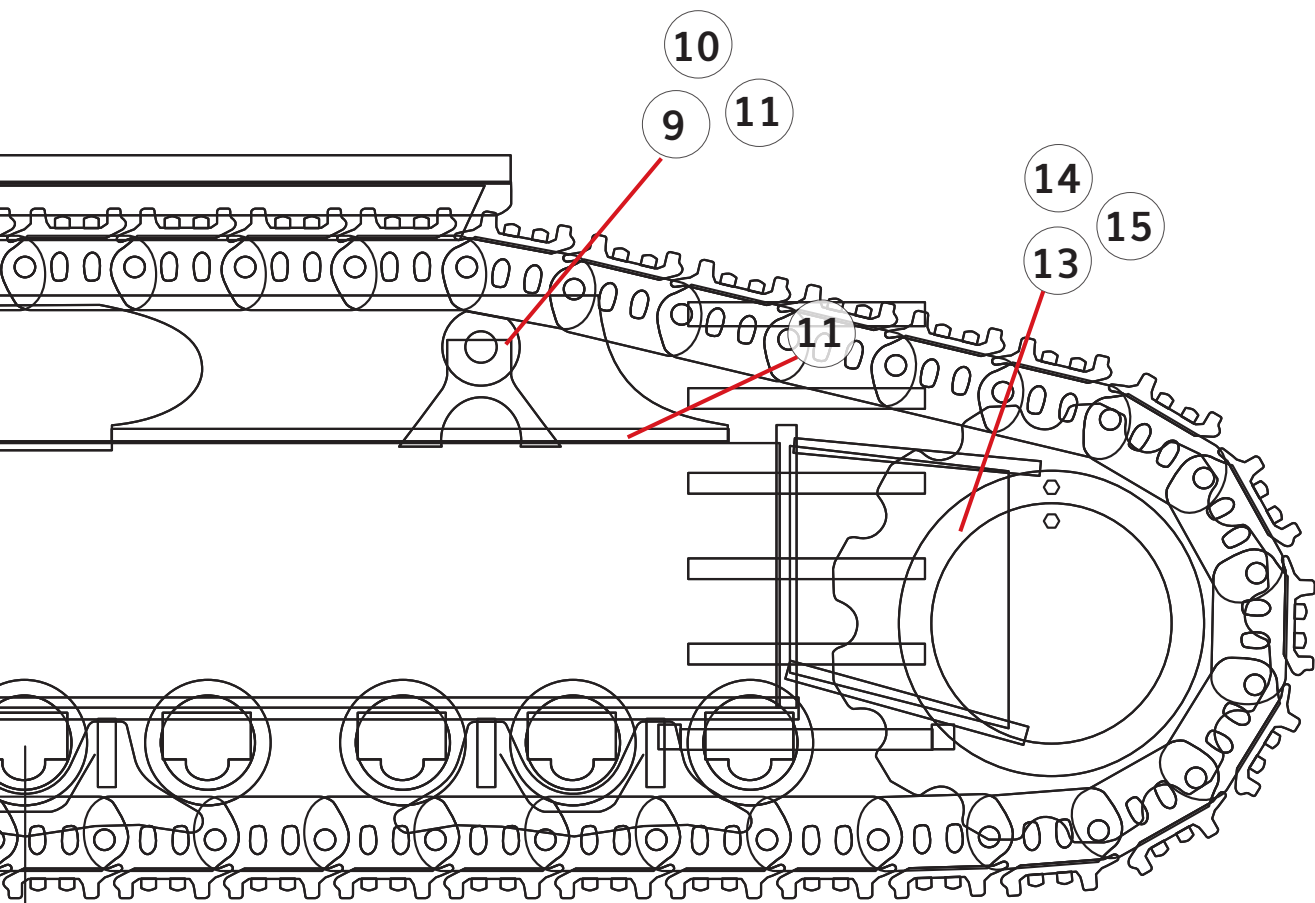
## Frame

	PRODUCT	PART NUMBER	QTY	
Articulation	BEARING KIT	11195856-P	2	
Body	RUBBER SPRING	15167172-P	4	Standard Bogie Arrangement
	SPHERICAL PLAIN BEARING	11056114-P	2	

## Shoes 600 MM

N°	Product	Parts number	Qty
1	Track GP	LH1562/50/600	2
2	Link assembly	LH1556/50	2
3	Shoes	LH1561/600	100
4	Shoe bolt	KM2348	400
5	Shoe nut	KM2029	400
6	Bottom roller	LH1575	18
7	Bottom roller Bolt	TH24150/300D	72
8	Bottom roller Washer	8T4167-P	72
9	Carrier roller	LH2154	4
10	Carrier Bolt	TH20120/250D	16
11	Carrier Washer	RR20	16
12	Idler	LH3158	2
13	Sprocket	LH1542	2
14	Sprocket Bolt	11820705	60
15	Sprocket Washer	RR30	60



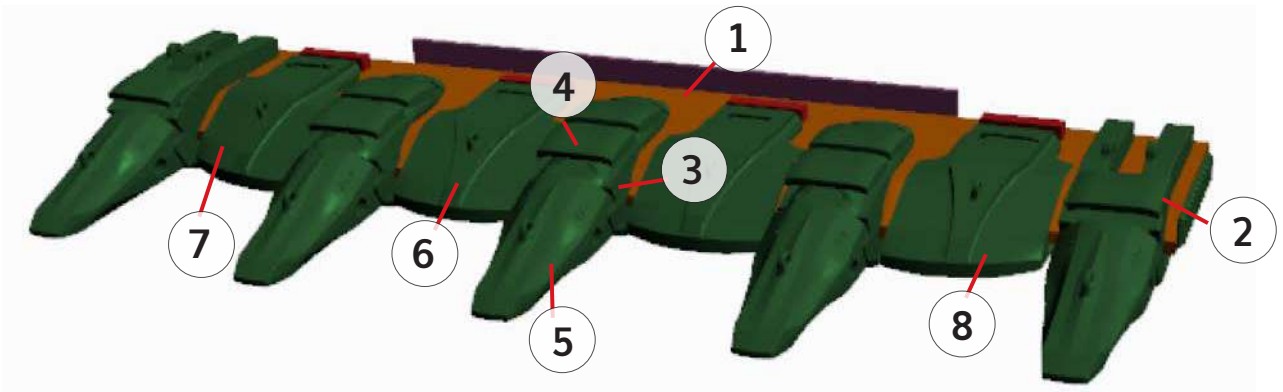


Liebherr®  
R9150  
R9200  
R9250  
R9350

## Nemisys® - N70

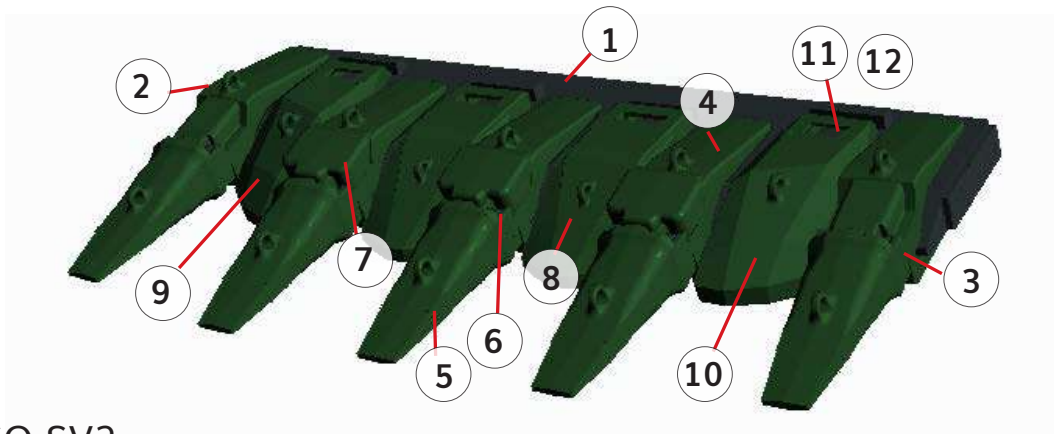
Bucket 8 m<sup>3</sup> / 2250 mm Inner width

Upload Bucket Performances  
more informations p. 15



### ESCO NEMISYS

N°	Product	Part Number	Qty
1	EDGE	HALF SPADE 100 mm	1
2	STRADDLE LEG	N70-H100X30WS	2
3	ADAPTER	N70-H100X30W	3
4	WEAR CAP	N70HWC	3
5	TOOTH	N70S	5
6	LIP SHROUD	TBC100X290-3	2
7	LIP SHROUD	TBC100X290-4LA	1
8	LIP SHROUD	TBC100X290-4RA	1
9	BOSS	TBB	4
10	PIN	TBP	4



### HD ESCO SV2

N°	Product	Part Number	Qty
1	EDGE	HALF SPADE 100 mm	1
2	LEFT ADAPTER	6839L-75SV2	1
3	RIGHT ADAPTER	6839R-75SV2	1
4	CENTRAL ADAPTER	5897W-75SV2	3
5	TOOTH	75SV2SD	5
6	PIN	75SV2PN-C	5
7	WEAR CAP	WC275	3
8	LIP SHROUD	TBC100X290-3	2
9	LIP SHROUD	TBC100X290-4LA	1
10	LIP SHROUD	TBC100X290-4RA	1
11	BOSS	TBB	4
12	PIN	TBP	4



## WEAR KIT

N°	Product	Part Number
1	WING SHROUD	1122492
2	CORNER WEAR SHOES	
	Infinity wear buttons Ø 50 mm TH 25 mm	WB50
	Infinity wear buttons Ø 75 mm TH 25 mm	WB75
	Infinity wear buttons Ø 90 mm TH 30 mm	WB90
	Infinity wear buttons Ø 115 mm TH 32 mm	WB115
	Infinity wear buttons Ø 150 mm TH 35 mm	WB150
	Infinity wear bars width 25 mm TH 23 mm	CB25
	Infinity wear bars width 38 mm TH 23 mm	CB40
	Infinity wear bars width 50 mm TH 23 mm	CB50
	Infinity wear bars width 65 mm TH 23 mm	CB65
	Infinity wear bars width 90 mm TH 23 mm	CB90
	Infinity wear bars width 100 mm TH 23 mm	CB100
	Infinity wear bars width 25 mm TH 23 mm	CB130



## OUTSIDE WEAR KIT

N°	Product
	6810W-85SV2
	BAR3000
	Upper bottom wear plate
	Bended wear plate
	1 Horizontale wear part out bottom

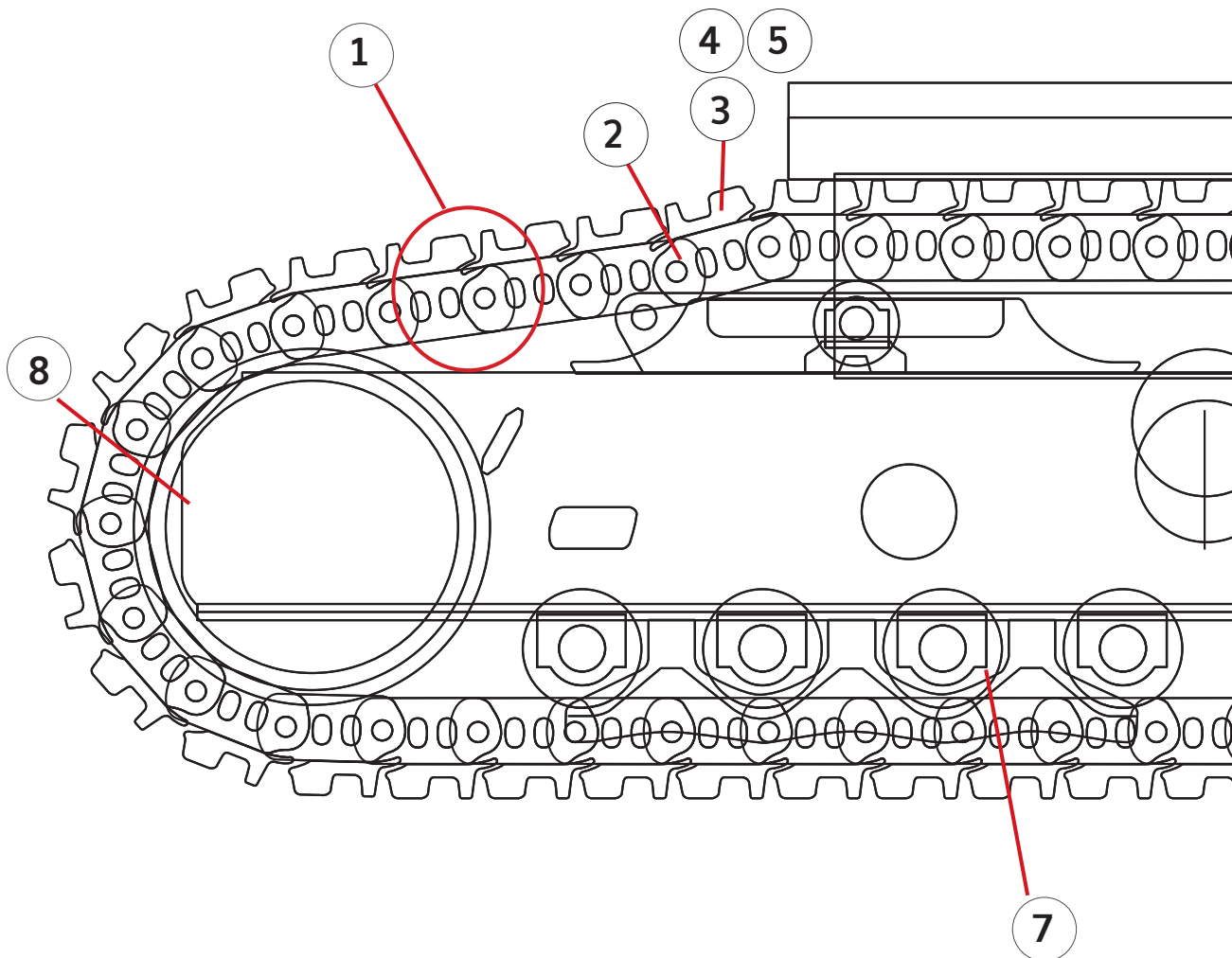


## INSIDE WEAR KIT

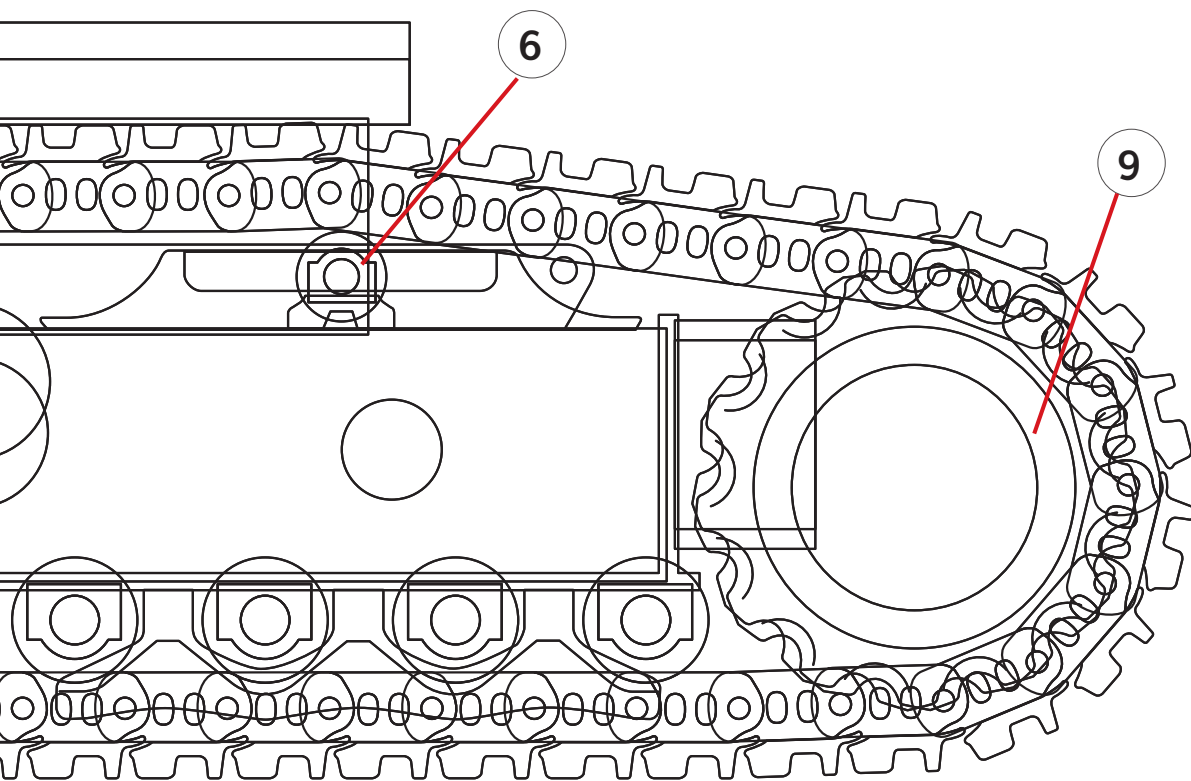
N°	Product
	fullwear plate inside bottom
	Inside right upside Wear part
	Inside right low side Wear part
	Inside left upside Wear part
	Inside left low side Wear part

## Shoes 800 mm

N°	Product	Parts number	Qty
1	Track GP	LH1411/25/800	4
2	Link assembly	LH1412/50	2
3	Shoes	11213768	100
4	Shoe bolt	LH 2020	400
5	Shoe nut	LH 2021	400
6	Roller sup	LH1323	4
7	Bottom roller	LH2715	16
8	Idler	11834078	2
9	Sprocket	11073778	2



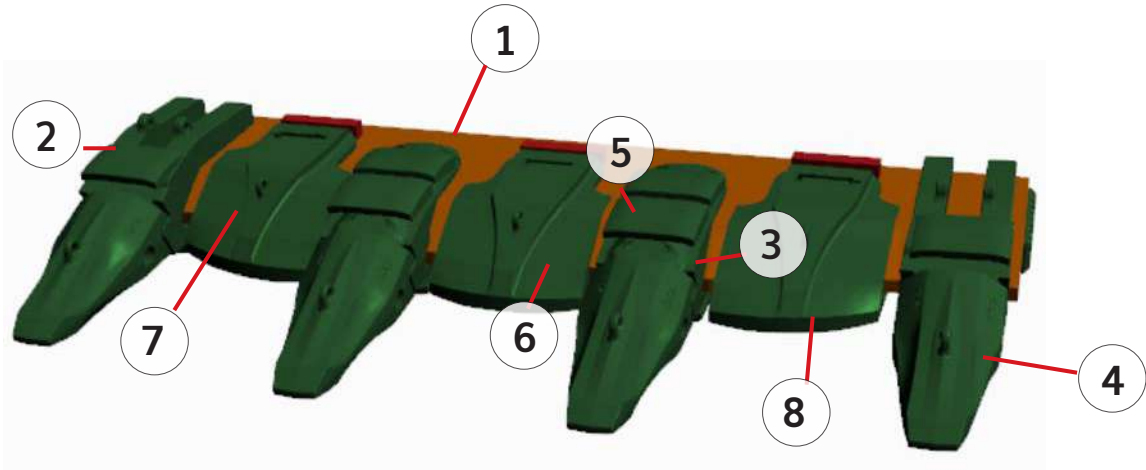




## Nemisys® - N90

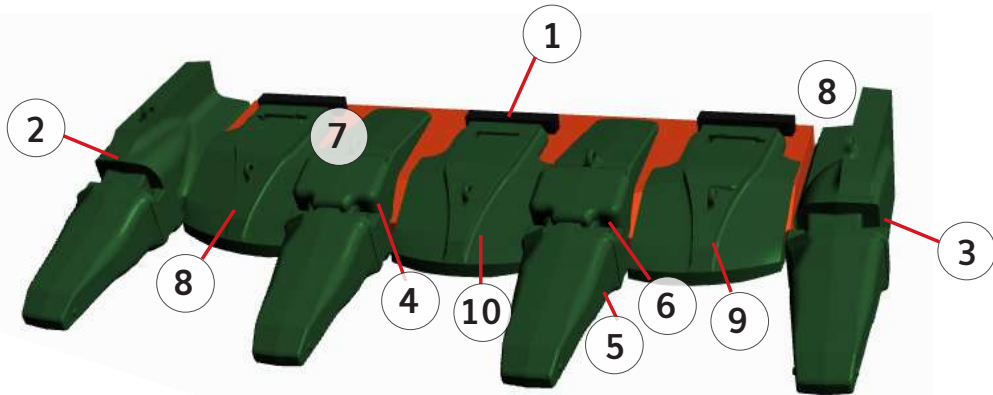
Bucket 11,6 m<sup>3</sup> / 2300 mm Inner width

Upload Bucket Performances  
more informations p. 15



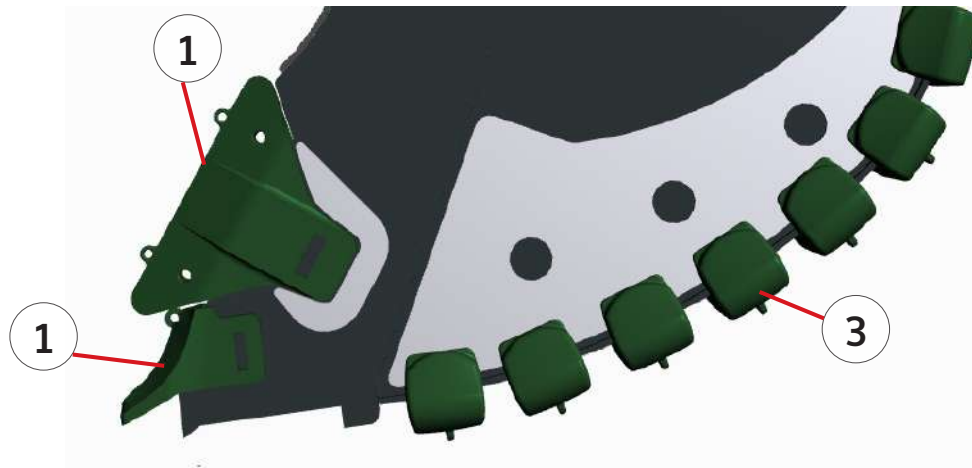
### ESCO NEMISYS **New System**

N°	Product	Part Number	Qty
1	EDGE	HALF SPADE 120 mm	1
2	STRADDLE LEG	N90-H120X30WS	2
3	ADAPTER	N90-H120X30W	2
4	TOOTH	N90S	4
5	WEAR CAP	N90HWC	10
6	LIP SHROUD	TBC120X440-2LB	1
7	LIP SHROUD	TBC120X440-2RB	1
8	LIP SHROUD	TBC120X440-1B	1
9	BOSS	TBB	3
10	PIN	TBP	3



### HD ESCO SV2

N°	Product	Part Number	Qty
1	EDGE	HALF SPADE 120 mm	1
2	INTEGRAL NOSE LEFT	IN-85SV2L1	1
3	INTEGRAL NOSE RIGHT	IN-85SV2R1	1
4	CENTRAL ADAPTER	6810W-85SV2	2
5	TOOTH	85SV2SD	4
6	PIN	85SV2PN-C	4
7	WEAR CAP	WC285	2
8	LIP SHROUD	TBC120X440-2LB	1
9	LIP SHROUD	TBC120X440-2RB	1
10	LIP SHROUD	TBC120X440-1B	1
11	BOSS	TBB	3
12	PIN	TBP	3



## WEAR KIT

N°	Product	Part Number
1	LOWER WING SHROUD	TAW75-1
2	WING SHROUD	TBW75X545-1A
3	CORNER WEAR SHOES	BFF-7
	Infinity wear buttons Ø 50 mm TH 25 mm	WB50
	Infinity wear buttons Ø 75 mm TH 25 mm	WB75
	Infinity wear buttons Ø 90 mm TH 30 mm	WB90
	Infinity wear buttons Ø 115 mm TH 32 mm	WB115
	Infinity wear buttons Ø 150 mm TH 35 mm	WB150
	Infinity wear bars width 25 mm TH 23 mm	CB25
	Infinity wear bars width 38 mm TH 23 mm	CB40
	Infinity wear bars width 50 mm TH 23 mm	CB50
	Infinity wear bars width 65 mm TH 23 mm	CB65
	Infinity wear bars width 90 mm TH 23 mm	CB90
	Infinity wear bars width 100 mm TH 23 mm	CB100
	Infinity wear bars width 25 mm TH 23 mm	CB130



## OUTSIDE WEAR KIT

N°	Product
	6810W-85SV2
	BAR3000
	Upper bottom wear plate
	Bended wear plate
	1 Horizontale wear part out bottom



## INSIDE WEAR KIT

N°	Product
	fullwear plate inside bottom
	Inside right upside Wear part
	Inside right low side Wear part
	Inside left upside Wear part
	Inside left low side Wear part

## Shoes 850 mm

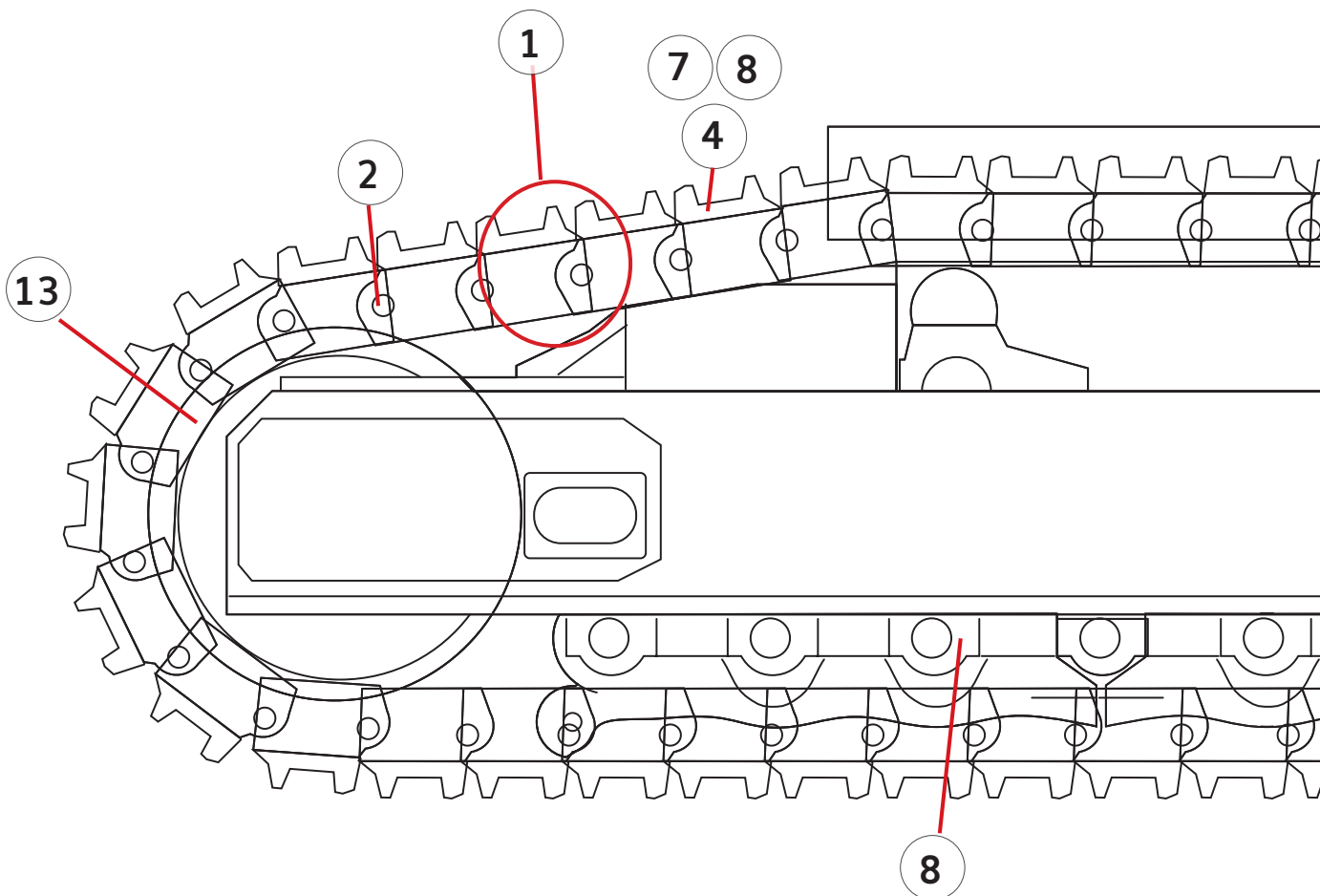
N°	Product	Parts number	Qty
1	Track GP bushing Ø 133 mm	LH1785/49/850	2
2	Link assembly	LH1784/49	2
3	Shoes 850mm	LH1316/850	98
4	Shoes 850mm	LH1813/850	98
5	Shoes 1150mm	LH1823/1150	98
6	Shoes 1250mm	LH2075/1250	98
7	Shoe bolt	LH1326	392
8	Shoe nut	LH1327	392
9	Bottom roller	LH2715	18
10	Roller sup	LH1323	4
11	Bolt	11008564	90
12	Washer	9918231	90
13	Idler	LH1142	2
14	Sprocket bushing Ø 133 mm	LH1319	2

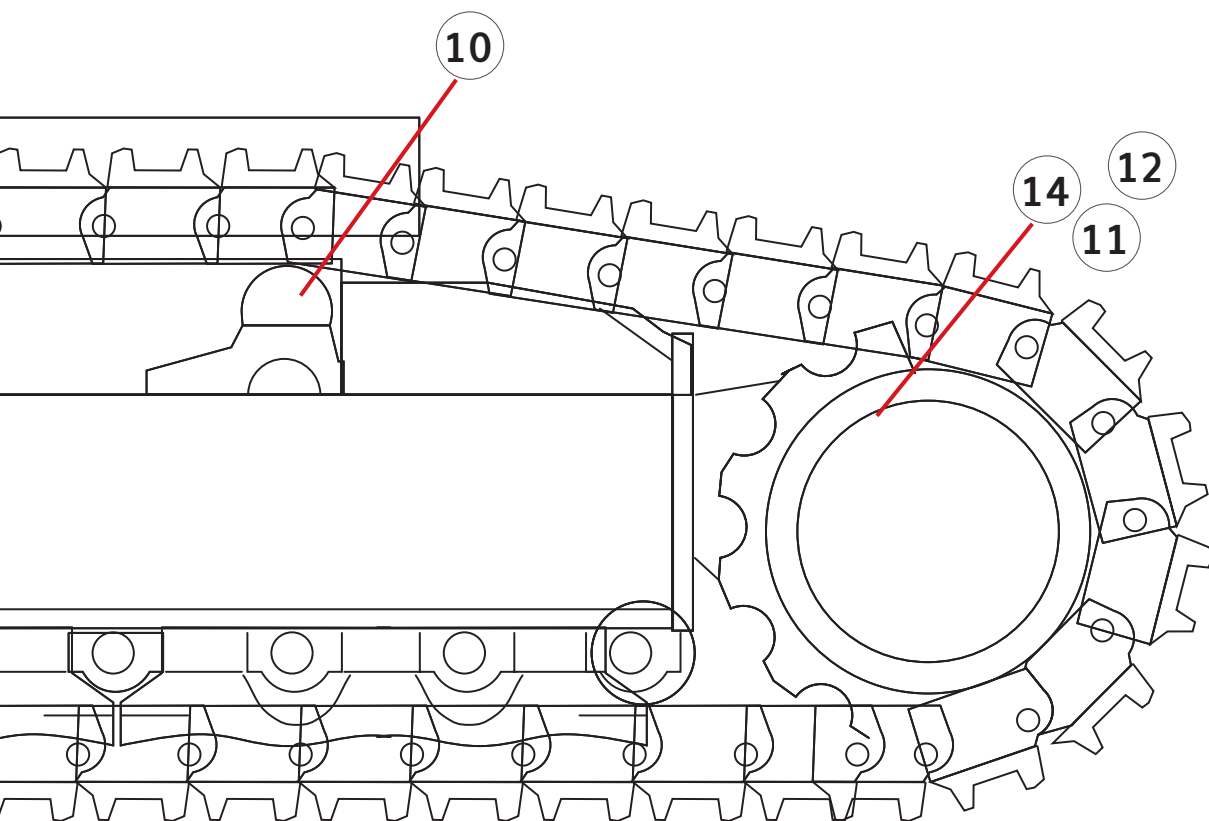
## Hydraulic pump



**rexroth**  
 A Bosch Company

Product	Parts number
MAIN PUMP	11347379-P
PUMP P3	11824786-P
A4VG125+A4VG125	11140205-P
COOLING PUMP	10037830-P
PILOT PUMP	10040295-P
TRAVEL MOTOR	10004220-P

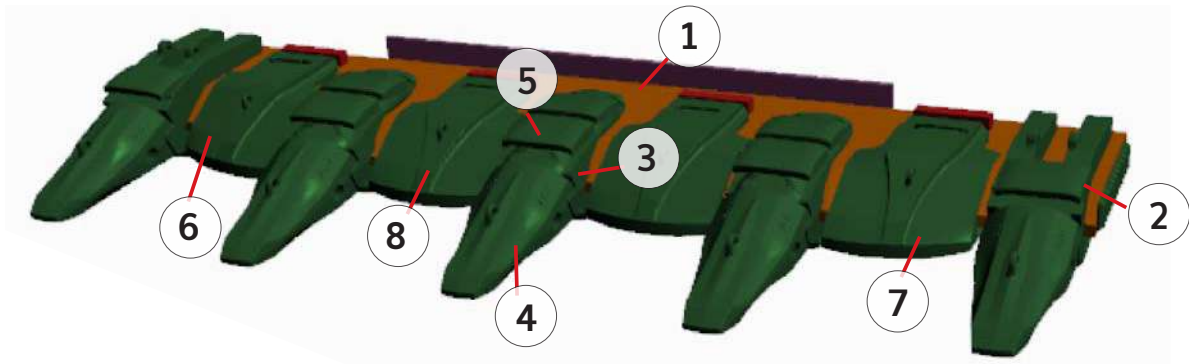




## Nemisys® - N90

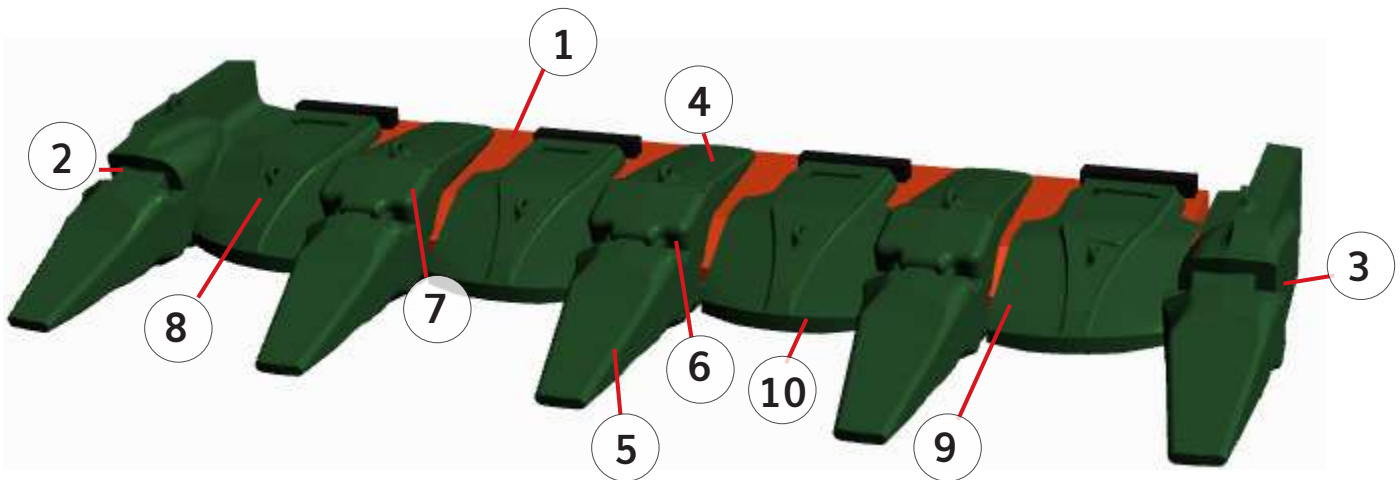
Bucket 13,5 and 15 m<sup>3</sup> / 2930 mm Inner width

Upload Bucket Performances  
more informations p. 15



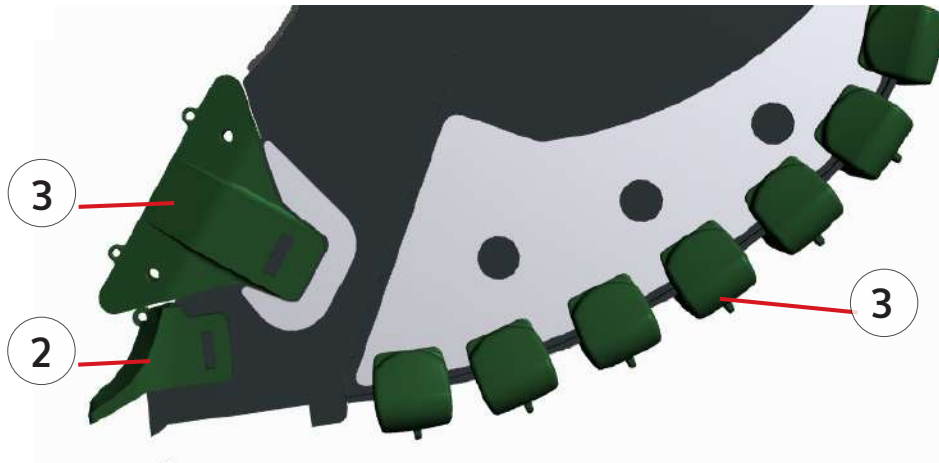
### ESCO NEMISYS **New System**

N°	Product	Part Number	Qty
1	EDGE	HALF SPADE 120 mm	1
2	STRADDLE LEG	N90-H120X30WS	2
3	ADAPTER	N90-H120X30W	3
4	TOOTH	N90S	5
5	WEAR CAP	N90HWC	13
6	LIP SHROUD	TBC120X410-2L	1
7	LIP SHROUD	TBC120X410-2R	1
8	LIP SHROUD	TBC120X410-1	2
9	BOSS	TBB	4
10	PIN	TBP	4



### HD ESCO SV2

N°	Product	Part Number	Qty
1	EDGE	HALF SPADE 120 mm	1
2	INTEGRAL NOSE LEFT	IN-85SV2L1	1
3	INTEGRAL NOSE RIGHT	IN-85SV2R1	1
4	CENTRAL ADAPTER	6810W-85SV2	3
5	TOOTH	85SV2SD	5
6	PIN	85SV2PN-C	5
7	WEAR CAP	WC285	3
8	LIP SHROUD	TBC120X410-2L	1
9	LIP SHROUD	TBC120X410-2R	1
10	LIP SHROUD	TBC120X410-1	2
11	BOSS	TBB	4
12	PIN	TBP	4



## WEAR KIT

N°	Product	Part Number
1	WING SHROUD	TBW90X855-1A
2	LOWER WING SHROUD	TAW90-1
3	CORNER WEAR SHOES	BFF-7
	Infinity wear buttons Ø 50 mm TH 25 mm	WB50
	Infinity wear buttons Ø 75 mm TH 25 mm	WB75
	Infinity wear buttons Ø 90 mm TH 30 mm	WB90
	Infinity wear buttons Ø 115 mm TH 32 mm	WB115
	Infinity wear buttons Ø 150 mm TH 35 mm	WB150
	Infinity wear bars width 25 mm TH 23 mm	CB25
	Infinity wear bars width 38 mm TH 23 mm	CB40
	Infinity wear bars width 50 mm TH 23 mm	CB50
	Infinity wear bars width 65 mm TH 23 mm	CB65
	Infinity wear bars width 90 mm TH 23 mm	CB90
	Infinity wear bars width 100 mm TH 23 mm	CB100
	Infinity wear bars width 25 mm TH 23 mm	CB130



## OUTSIDE WEAR KIT

N°	Product
	Protection inférieur adapteur 6810W-85SV2
	BAR3000
	Upper bottom wear plate
	Bended wear plate
	1 Horizontale wear part out bottom



## INSIDE WEAR KIT

N°	Product
	fullwear plate inside bottom
	Inside right upside Wear part
	Inside right low side Wear part
	Inside left upside Wear part
	Inside left low side Wear part

## Shoes 850 mm

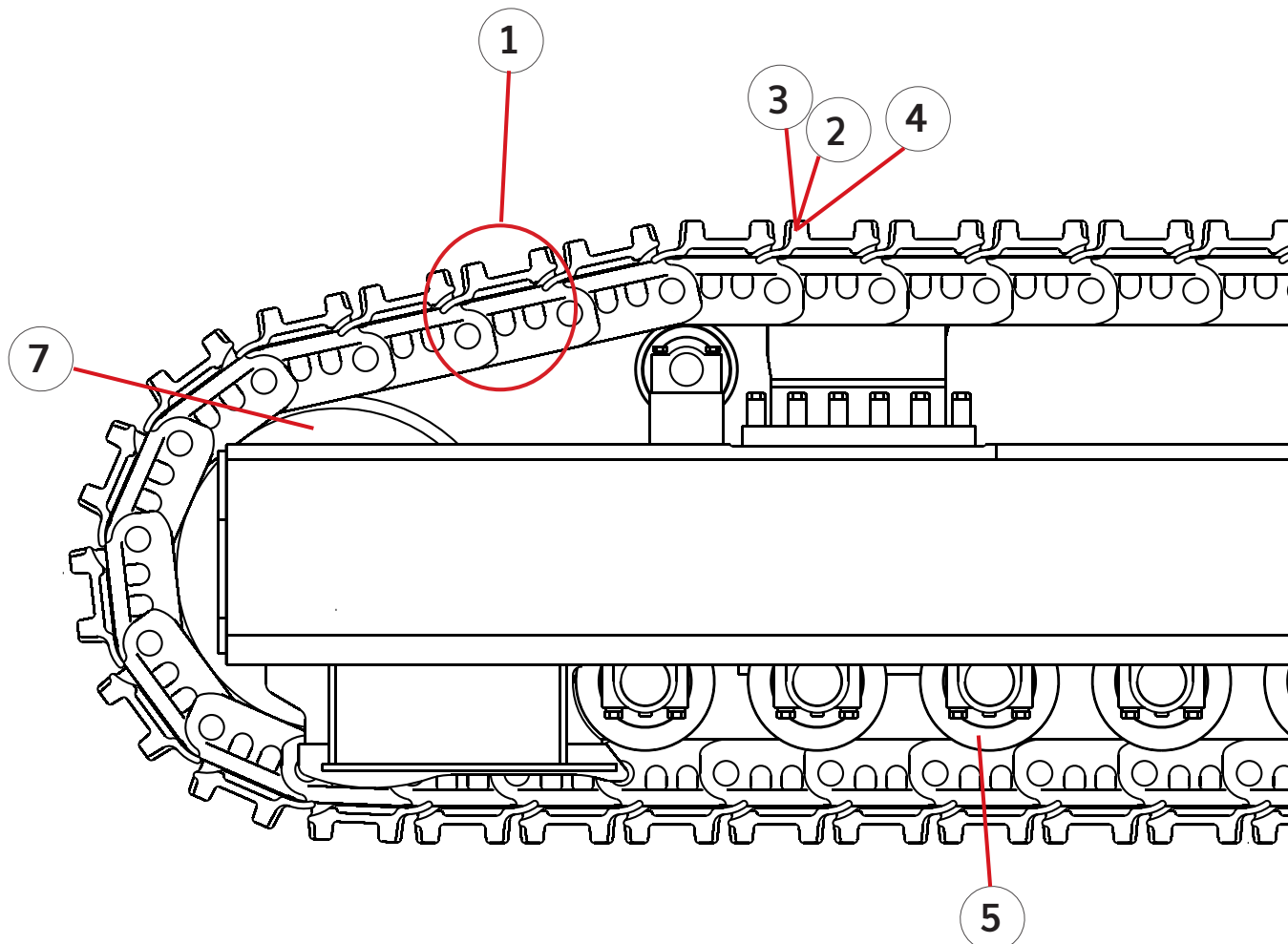
N°	Product	Parts number	Qty
1	Track GP	LH2230/25/850	4
2	Shoes 850mm	LH1316/850	100
3	Shoes 850mm	LH1813/850	100
4	Shoes 1150mm	LH1823/1150	100
5	Bottom roller	LH2862	18
6	Roller sup	LH1323	4
7	Idler	LH1704	2
8	Sprocket	LH1993	2
9	Sprocket bolt	4902213	90
10	Sprocket washer	9918231	90

## Hydraulic pump

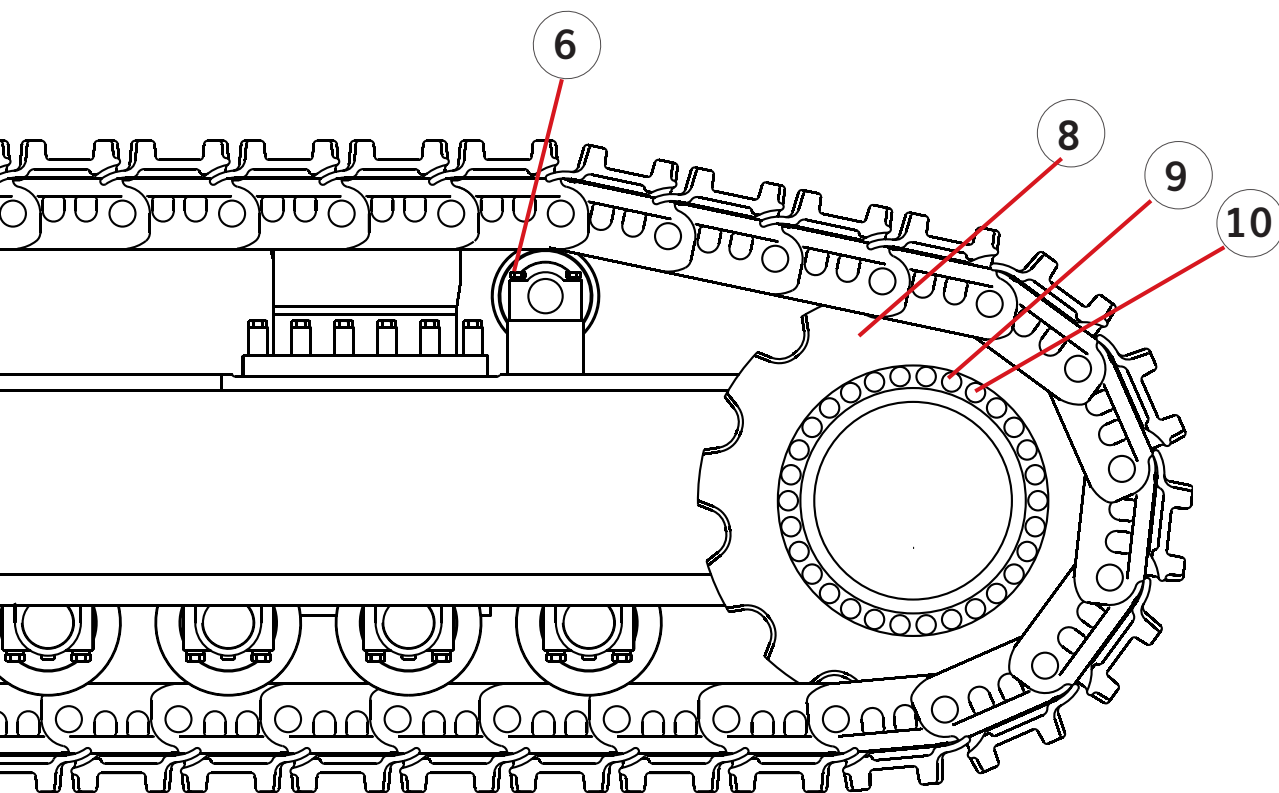


**rexroth**  
 A Bosch Company

Product	Parts number
MAIN PUMP	11347379-P
SWING PUMP	10099837-P
PILOT PUMP	10000074-P
PTO COOLING PUMP	5611220-P
SWING REPLANATION PUMP	11492149-P
TRAVEL MOTOR	10004220-P

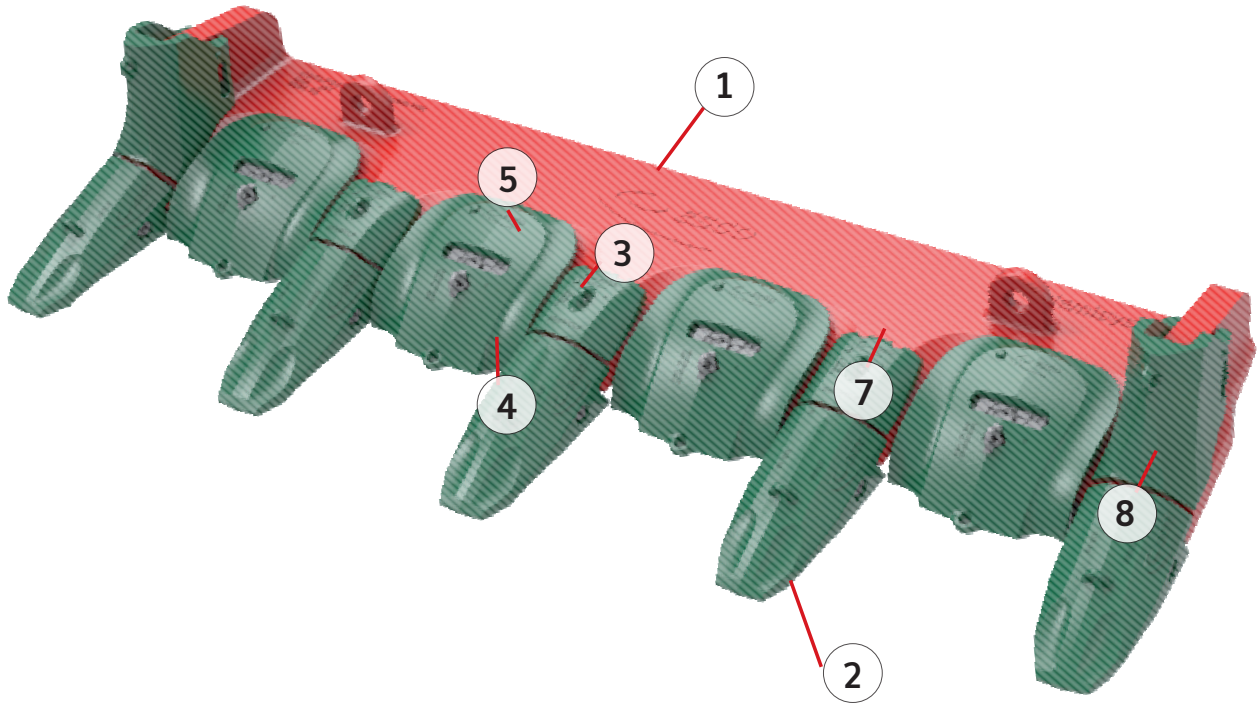






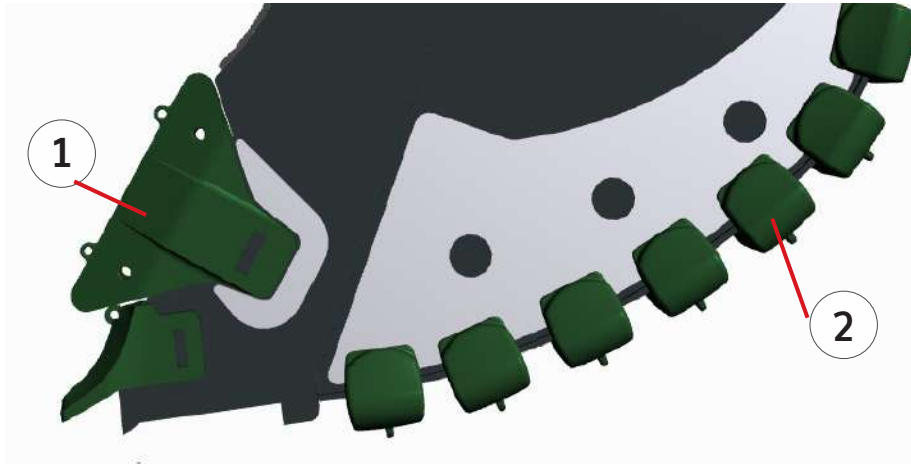
## Nemisys® - N95

Bucket 15,3 and 18 m<sup>3</sup> / 2966 mm Inner width



### ESCO NEMISYS **New System**

N°	Product	Part Number	Qty
1	EDGE CAST LIP	N95LP295A-8-00	1
2	TOOTH	N95LS	5
4	WEAR CAP	N95WCLP	3
5	LIP SHROUD	N95SH295	4
6	PIN	HP20	4
8	LOWER WING SHROUD	N95LWS	2
7	PIN	HP10	2



## WEAR KIT

N°	Product	Part Number
1	WING SHROUD	TBW90X855-1A
2	CORNER WEAR SHOES	BFF-7
	Infinity wear buttons Ø 50 mm TH 25 mm	WB50
	Infinity wear buttons Ø 75 mm TH 25 mm	WB75
	Infinity wear buttons Ø 90 mm TH 30 mm	WB90
	Infinity wear buttons Ø 115 mm TH 32 mm	WB115
	Infinity wear buttons Ø 150 mm TH 35 mm	WB150
	Infinity wear bars width 25 mm TH 23 mm	CB25
	Infinity wear bars width 38 mm TH 23 mm	CB40
	Infinity wear bars width 50 mm TH 23 mm	CB50
	Infinity wear bars width 65 mm TH 23 mm	CB65
	Infinity wear bars width 90 mm TH 23 mm	CB90
	Infinity wear bars width 100 mm TH 23 mm	CB100
	Infinity wear bars width 25 mm TH 23 mm	CB130



## OUTSIDE WEAR KIT

N°	Product
	Protection inférieur adapteur 6810W-85SV2
	BAR3000
	Upper bottom wear plate
	Bended wear plate
	1 Horizontale wear part out bottom



## INSIDE WEAR KIT

N°	Product
	fullwear plate inside bottom
	Inside right upside Wear part
	Inside right low side Wear part
	Inside left upside Wear part
	Inside left low side Wear part

Partinium® program



## Hydraulic

	PRODUCT	PART NUMBER	QTY	
Cylinder	CYLINDER	1468846-P	2	FS Boom
		4712136-P	2	FS Boom
		4811074-P	2	FS Boom
		4780357-P	2	FS Stick
		4712139-P	2	FS Stick
		4780376-P	2	FS Bucket
		4712160-P	2	FS Bucket
		4780381-P	2	FS Clam
		4712148-P	2	FS Clam
		5415681-P	2	FS Clam
		1481905-P	2	BH Boom
		4671674-P	2	BH Boom
		1456537-P	2	BH Stick
		4671689-P	2	BH Stick
		4811075-P	2	BH Stick
		1468846-P	1	BH Bucket
		4712136-P	1	BH Bucket
		4811074-P	1	BH Bucket
		KIT SEAL	4671577-P	2
	4671588-P		2	Seal Kit for 4712139
	4671607-P		2	Seal Kit for 4712160
	4020657-P		2	Seal Kit for 4780381
	4671619-P		2	Seal Kit for 4712148
	5352028-P		2	Seal Kit for 5415681
	4671679-P		2	Seal Kit for 4671674 & 4671689 & 4811075
	Motor	MOTOR GP N/R	4689841-P	2
4689836-P			2	
Pump	PUMP GP	4679658-P	4	
		4715739-P	2	
		4715776-P	1	
Gear gp	GEAR	5350134-P	2	
	TRAVEL GEAR	4330446-P	2	
	SLEWING GEAR	5352604-P	2	

## Power Train and braking system

	PRODUCT	PART NUMBER	QTY	
Gear gp	GEAR	5350134-P	2	
	TRAVEL GEAR	4330446-P	2	
	SLEWING GEAR	5352604-P	2	



O&K®

RH190

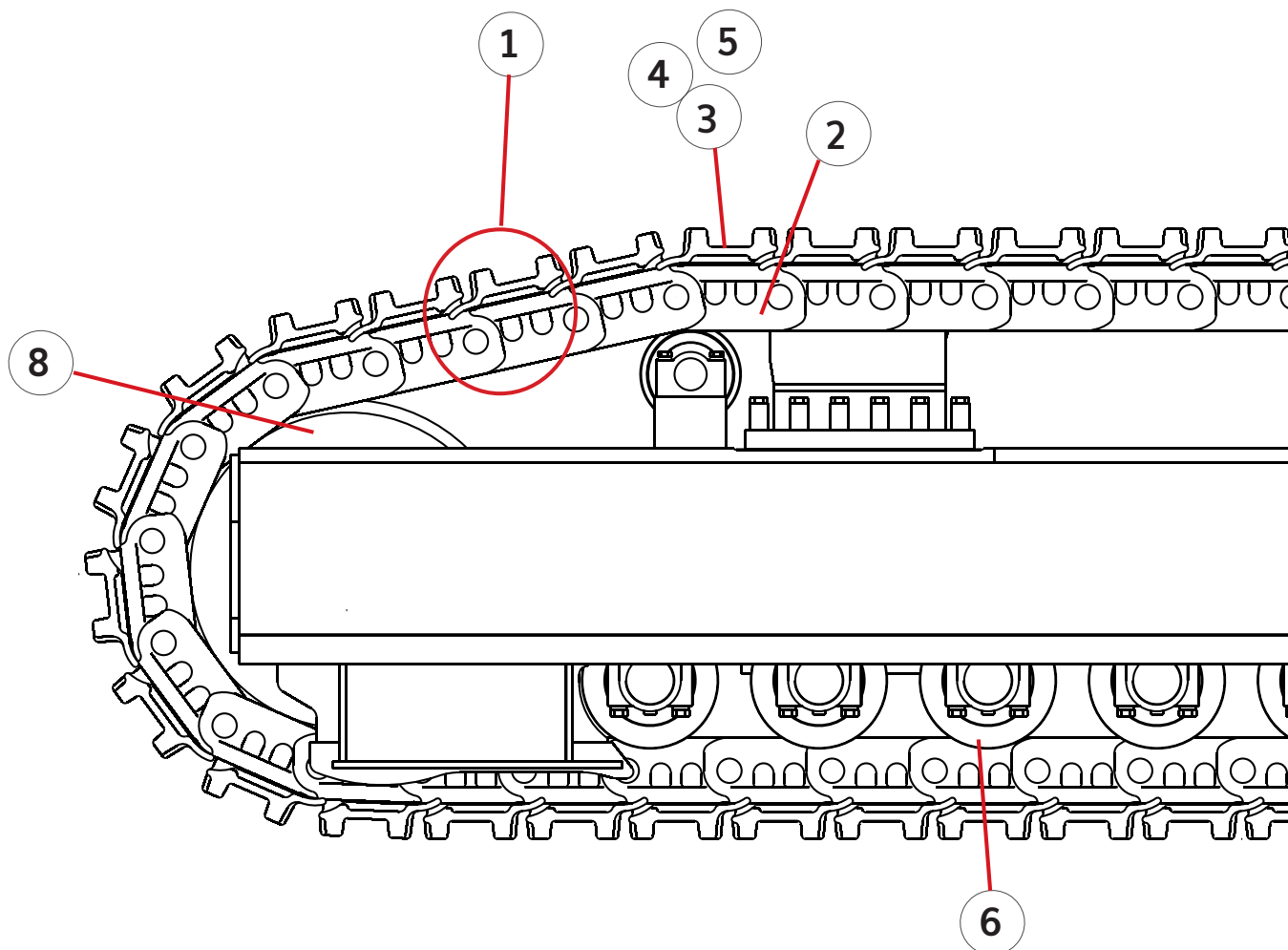
RH120

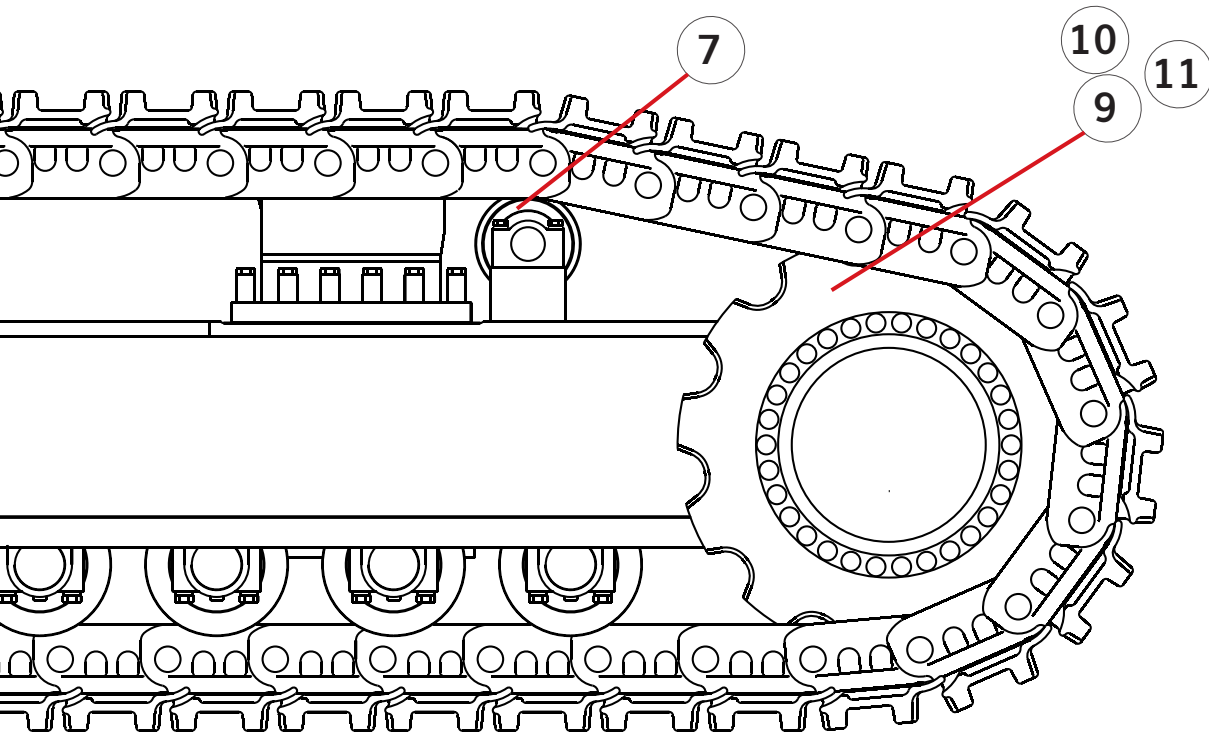
RH200

RH340

## Shoes 800 mm

N°	Product	Parts number	Qty	
1	Track GP	OK1695/47/800	2	5351319-4498226 - 3737584
2	Link assembly	OK 765/47	2	1952590- 5353136 - 4019468
3	Shoes	OK1704/800	94	2246207- 5354699 - 4020716
4	Shoe bolt	OK1688	376	2246202 -5337366
5	Shoe nut	OK1689	376	2246199 - 5337365
6	Roller	OK 506	16	2763198-4211110-4064619 - 4414343
7	Carrier rollers	OK1690	4	1458738-3683316- 4658360
8	Idler	2246217	2	IDLER 5342994 - 1452541
9	Sprocket	2105569	2	SPROCKET 5336836 - 1451375
10	Sprocket Bolt	4731735	60	BOLT SPROCKET
11	Sprocket Washer	4731736	60	Washer

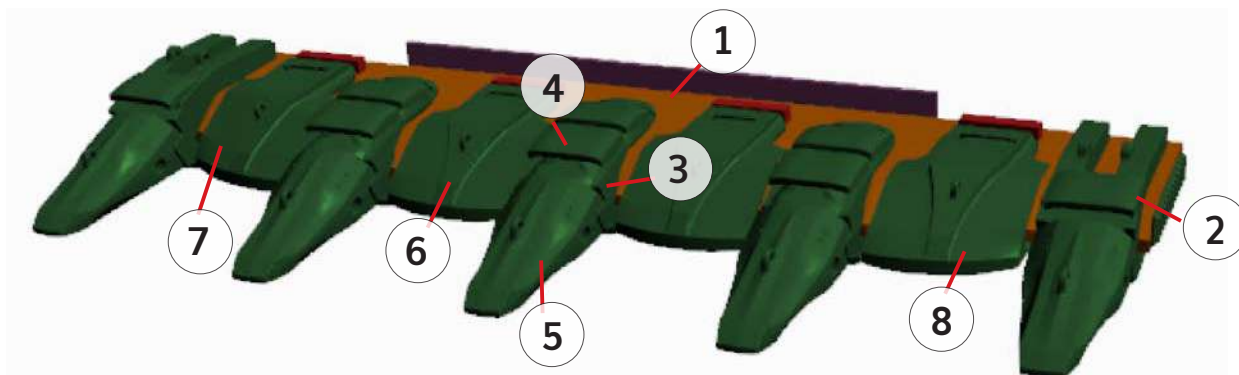




## Nemisys® - N70

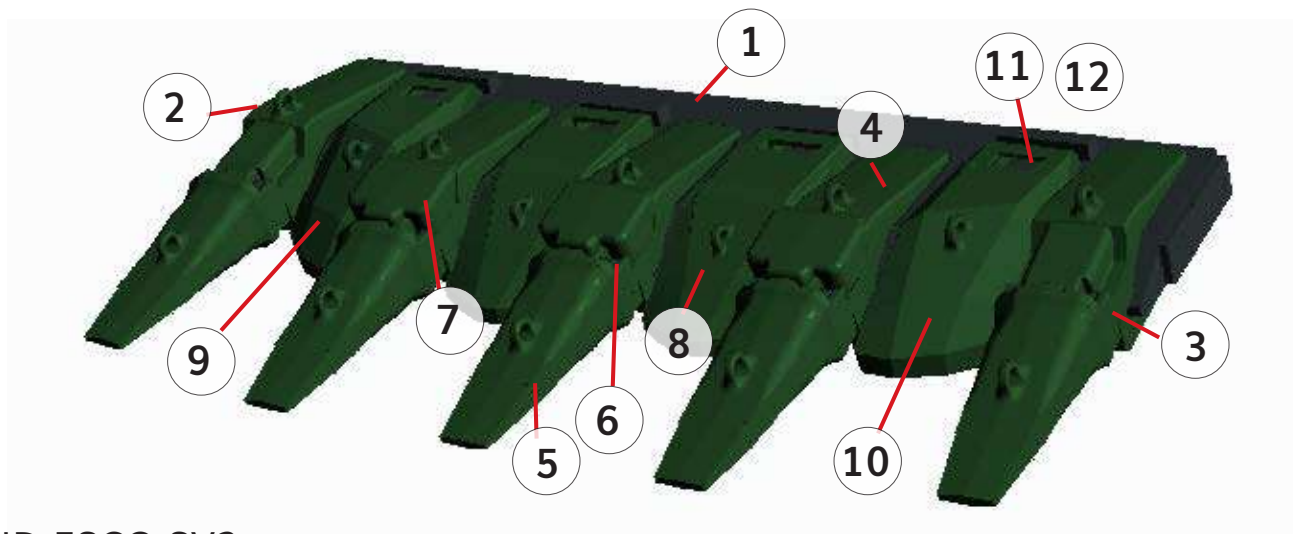
Bucket 8,5 m3 / 2550 mm Inner width

Upload Bucket Performances  
more informations p. 15



### ESCO NEMISYS **New System**

N°	Product	Part Number	Qty
1	EDGE	HALF SPADE 100 mm	1
2	STRADDLE LEG	N70-H100X30WS	2
3	ADAPTER	N70-H100X30W	3
4	WEAR CAP	N70HWC	3
5	TOOTH	N70S	5
6	LIP SHROUD	TBC100X375-2	2
7	LIP SHROUD	TBC100X375-1L	1
8	LIP SHROUD	TBC100X375-1R	1
9	BOSS	TBB	4
10	PIN	TBP	4



### HD ESCO SV2

N°	Product	Part Number	Qty
1	EDGE	HALF SPADE 100 mm	1
2	LEFT ADAPTER	6839L-75SV2	1
3	RIGHT ADAPTER	6839R-75SV2	1
4	CENTRAL ADAPTER	5897W-75SV2	3
5	TOOTH	75SV2SD	5
6	PIN	75SV2PN-C	5
7	WEAR CAP	WC275	3
8	LIP SHROUD	TBC100X375-2	2
9	LIP SHROUD	TBC100X375-1L	1
10	LIP SHROUD	TBC100X375-1R	1
11	BOSS	TBB	4
12	PIN	TBP	4





## WEAR KIT On request

Product	Part Number
Infinity wear buttons Ø 50 mm TH 25 mm	WB50
Infinity wear buttons Ø 75 mm TH 25 mm	WB75
Infinity wear buttons Ø 90 mm TH 30 mm	WB90
Infinity wear buttons Ø 115 mm TH 32 mm	WB115
Infinity wear buttons Ø 150 mm TH 35 mm	WB150
Infinity wear bars width 25 mm TH 23 mm	CB25
Infinity wear bars width 38 mm TH 23 mm	CB40
Infinity wear bars width 50 mm TH 23 mm	CB50
Infinity wear bars width 65 mm TH 23 mm	CB65
Infinity wear bars width 90 mm TH 23 mm	CB90
Infinity wear bars width 100 mm TH 23 mm	CB100
Infinity wear bars width 25 mm TH 23 mm	CB130



## OUTSIDE WEAR KIT

N°	Product
	Protection inférieur adapteur 6810W-85SV2
	BAR3000
	Upper bottom wear plate
	Bended wear plate
	1 Horizontale wear part out bottom



## INSIDE WEAR KIT

N°	Product
	fullwear plate inside bottom
	Inside right upside Wear part
	Inside right low side Wear part
	Inside left upside Wear part
	Inside left low side Wear part

Partinium® program



## Hydraulic

	PRODUCT	PART NUMBER	QTY	
Cylinder	Cylinder GP	4656234-P	2	FS Boom
	Cylinder GP	4656270-P	2	FS Stick
	Cylinder GP	4658605-P	2	FS Bucket
	Cylinder GP	4026759-P	2	FS Clam
	Cylinder GP	1453548-P	2	FS Clam
	Cylinder GP	4559942-P	2	FS Clam
	Seal Kit	4656238-P	2	Seal kit for 4656234
	Seal Kit	4656275-P	2	Seal kit for 4656270
	Seal Kit	4658609-P	2	Seal kit for 4658605
	Seal Kit	5338359-P	2	Seal kit for 4026759
	Seal Kit	5338359-P	2	Seal kit for 1453548
	Seal Kit	4649575-P	2	Seal kit for 4559942
	Cylinder GP	2766930-P	2	BH Boom
	Cylinder GP	4640779-P	2	BH Boom
	Cylinder GP	2766940-P	2	BH Stick
	Cylinder GP	1451897-P	2	BH Stick
	Cylinder GP	4656194-P	2	BH Stick
	Cylinder GP	1453556-P	2	BH Bucket
	Cylinder GP	4649559-P	2	BH Bucket
	Seal Kit	2766975-P	2	Seal kit for 2766930
	Seal Kit	4656256-P	2	Seal kit for 4640779
	Seal Kit	2766982-P	2	Seal kit for 2766940
	Seal Kit	5338415-P	2	Seal kit for 1451897
	Seal Kit	4656206-P	2	Seal kit for 4656194
	Seal Kit	5337061-P	2	Seal kit for 1453556
	Seal Kit	4649563-P	2	Seal kit for 4649559
	Cylinder GP	4658633-P	2	Track tensioner
	Motor	Fan Motor	4689848-P	2
Travel Motor		4370154-P	4	
Swing Motor		4370157-P	2	
Pump	Main Pump	4370161-P	4	
	Fan Pump	4370146-P	2	
	Replenishing Pump	4689820-P	2	
	Swing Pump	4689819-P	2	
	Swing Pump	4689834-P	2	
	Swing Pump	5342775-P	2	
	Fan pump	4689822-P	2	
	Fan pump	4370147-P	2	
	Gear pump	4689886-P	2	
	Gear pump	4917540-P	1	

## Power Train and braking system

	PRODUCT	PART NUMBER	QTY	
Gear gp	Gear GP Travel	4774411-P	2	
	Gear gp Swing	4780706-P	2	



O&K®

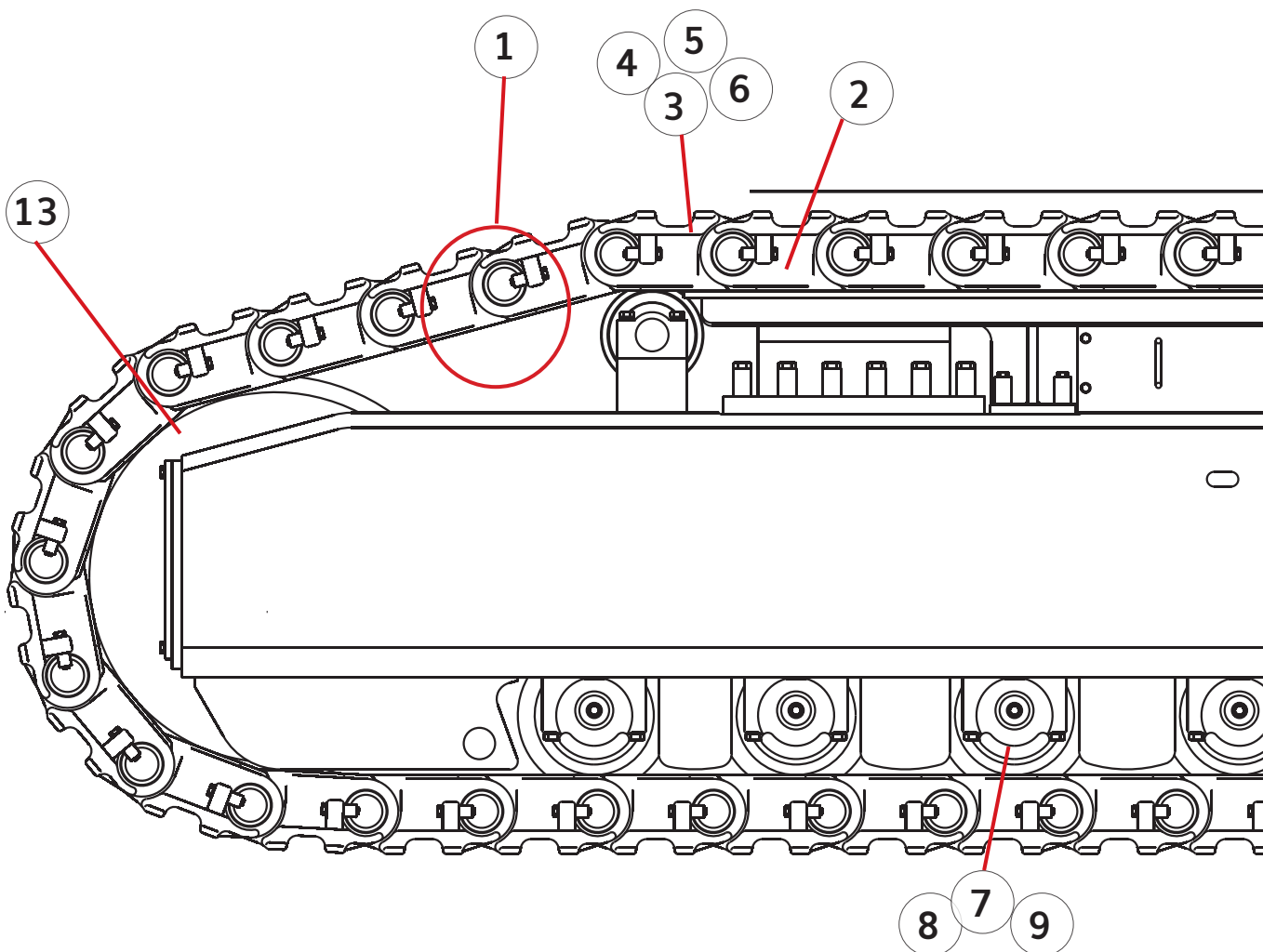
RH90

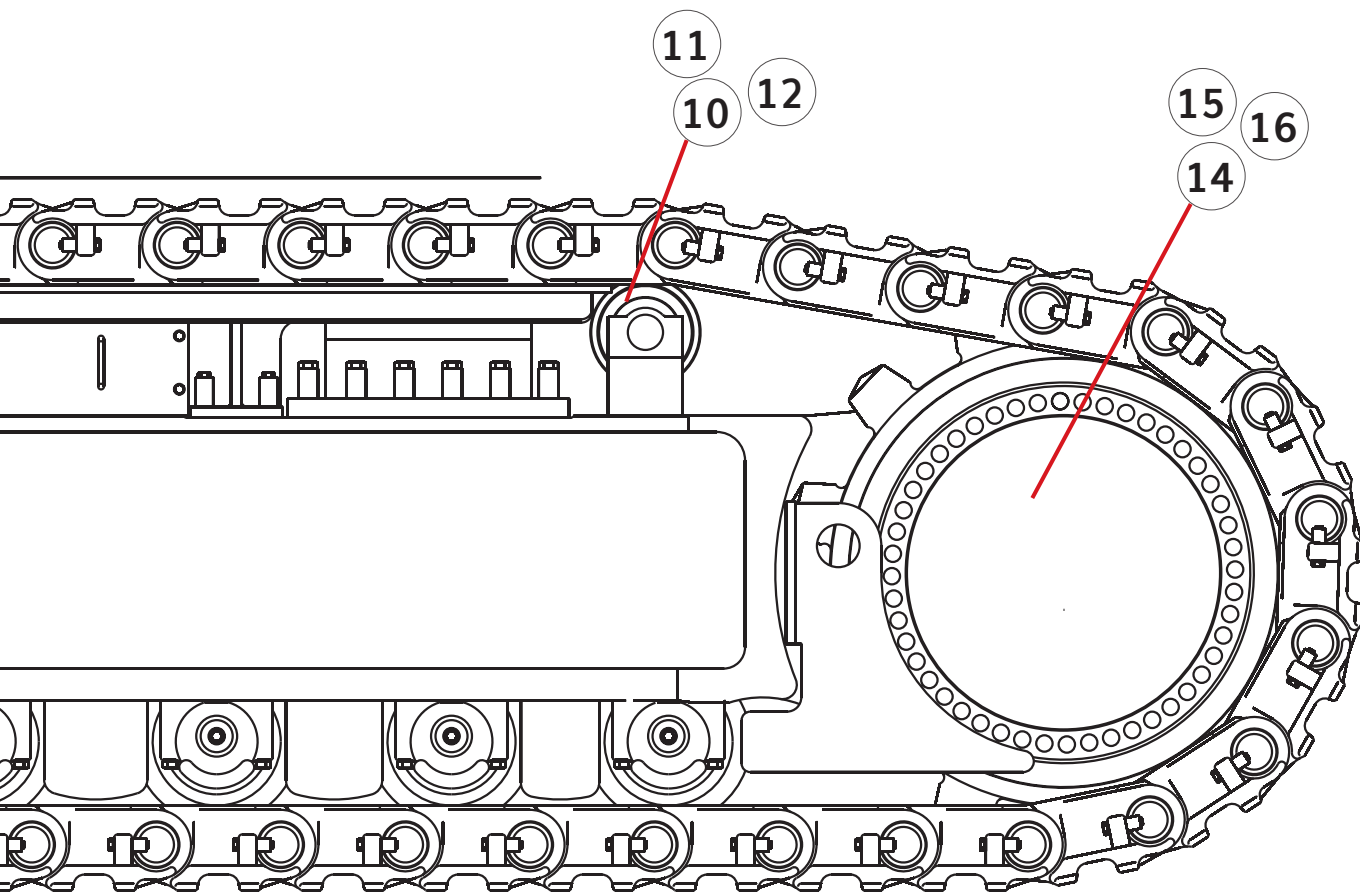
RH120

RH200

RH340

N°	Product	Parts number	Qty
1	Track Gp Evolution 870 mm	EK120ES870-1A	94
2	Track Gp Evolution 1000 mm	EK120ES1000-1A	94
3	Track Gp Evolution 1200 mm	EK120ES1200-1A	94
4	Bottom roller	OK120ERL-1A	14
5	Shoe nut	B129C30X220M	56
6	Washer	WF30X10M	56
7	Bottom roller	WF24X10M	16
8	Bottom roller Bolt	OK120EF1130-1A	32
9	Bottom roller Washer	B129C24X160M	32
10	Carrier rollers	OK120ERR-1A	4
11	Carrier Washer	2451824	16
12	Carrier Bolt	B129C24X160M	16
13	Idler	OK120EF1130-1A	16
14	Sprocket	DK120EDT13-1	2
15	Sprocket Bolt	B129C30X190MF	96
16	Sprocket Washer	WF30X10M	96

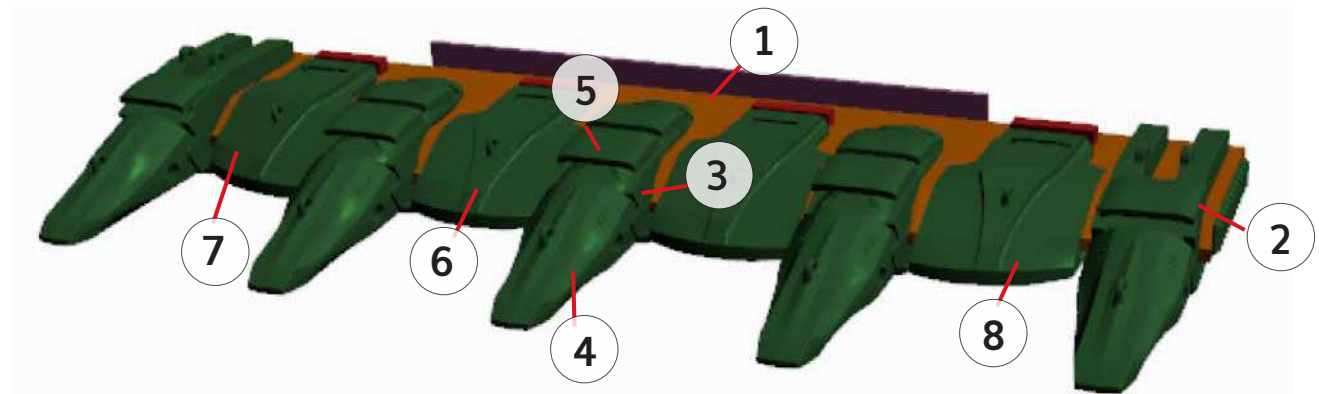




## Nemisys® - N70

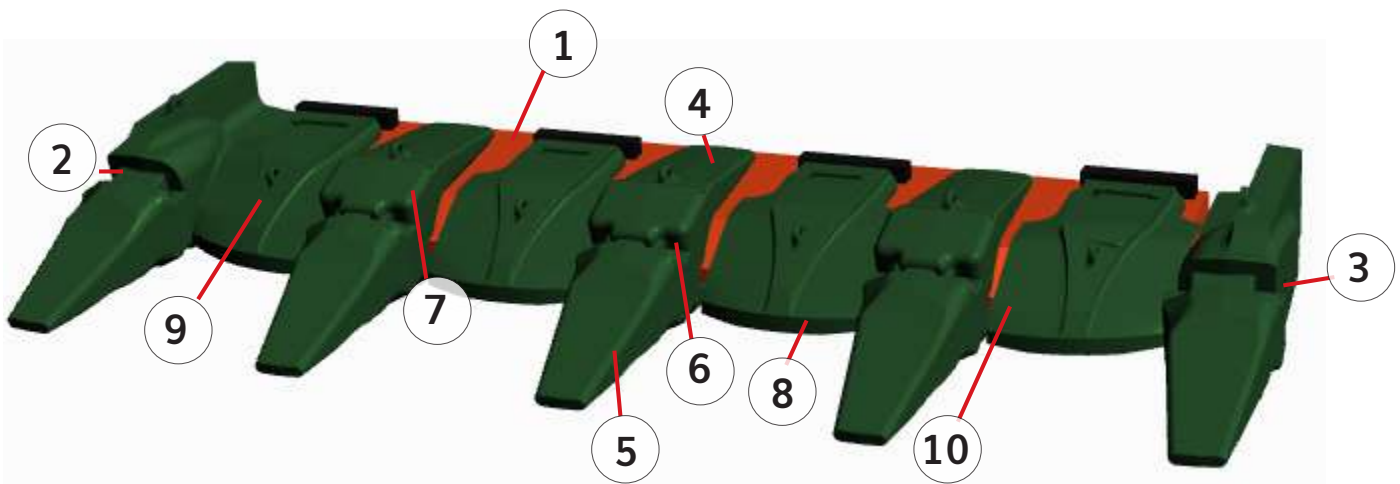
Bucket 15 m<sup>3</sup> / 3310 mm Inner width

Upload Bucket Performances  
more informations p. 15



### ESCO NEMISYS **New System**

N°	Product	Part Number	Qty
1	EDGE	HALF SPADE 120 mm	1
2	STRADDLE LEG	N90-H120X30WS	2
3	ADAPTER	N90-H120X30W	3
4	TOOTH	N90S	5
5	WEAR CAP	N90HWC	13
6	LIP SHROUD	TBC120X535-3	2
7	LIP SHROUD	TBC120X535-4L	1
8	LIP SHROUD	TBC120X535-4R	1
9	BOSS	TBB	4
10	PIN	TBP	4



### HD ESCO SV2

N°	Product	Part Number	Qty
1	EDGE	HALF SPADE 120 mm	1
2	INTEGRAL NOSE LEFT	IN-85SV2L1	1
3	INTEGRAL NOSE RIGHT	IN-85SV2R1	1
4	CENTRAL ADAPTER	6810W-85SV2	3
5	TOOTH	85SV2SD	5
6	PIN	85SV2PN-C	5
7	WEAR CAP	WC285	3
8	LIP SHROUD	TBC120X535-3	2
9	LIP SHROUD	TBC120X535-4L	1
10	LIP SHROUD	TBC120X535-4R	1
11	BOSS	TBB	4
12	PIN	TBP	4



## WEAR KIT On request

Product	Part Number
Infinity wear buttons Ø 50 mm TH 25 mm	WB50
Infinity wear buttons Ø 75 mm TH 25 mm	WB75
Infinity wear buttons Ø 90 mm TH 30 mm	WB90
Infinity wear buttons Ø 115 mm TH 32 mm	WB115
Infinity wear buttons Ø 150 mm TH 35 mm	WB150
Infinity wear bars width 25 mm TH 23 mm	CB25
Infinity wear bars width 38 mm TH 23 mm	CB40
Infinity wear bars width 50 mm TH 23 mm	CB50
Infinity wear bars width 65 mm TH 23 mm	CB65
Infinity wear bars width 90 mm TH 23 mm	CB90
Infinity wear bars width 100 mm TH 23 mm	CB100
Infinity wear bars width 25 mm TH 23 mm	CB130



## OUTSIDE WEAR KIT

N°	Product
6810W-85SV2	
BAR3000	
	Upper bottom wear plate
	Bended wear plate
	1 Horizontale wear part out bottom



## INSIDE WEAR KIT

N°	Product
	fullwear plate inside bottom
	Inside right upside Wear part
	Inside right low side Wear part
	Inside left upside Wear part
	Inside left low side Wear part

## Partinium® program



### Hydraulic



### Power Train and braking system

		Product	Parts number	Qty	
Hydraulic	Cylinder	Cylinder GP	4712134-P	2	FS Boom
		Cylinder GP	4671658-P	2	FS Stick
		Cylinder GP	4671658-P	2	FS Bucket
		Cylinder GP	4671599-P	2	FS Clam
		Cylinder GP	4712150-P	2	FS Clam
		Seal Kit	4640775-P	2	Seal kit for 4712134
		Seal Kit	4671663-P	2	Seal kit for 4671658
		Seal Kit	4671663-P	2	Seal kit for 4671658
		Seal Kit	4671604-P	2	Seal kit for 4671599
		Seal Kit	4640764-P	2	Seal kit for 4712150
		Cylinder GP	4712158-P	2	BH Boom
		Cylinder GP	4592031-P	2	BH Boom
		Cylinder GP	4592034-P	2	BH Stick
		Cylinder GP	4592038-P	2	BH Stick
		Cylinder GP	4712156-P	2	BH Bucket
		Seal Kit	4658674-P	2	Seal kit for 4712158
		Seal Kit	4591992-P	2	Seal kit for 4592031
		Seal Kit	4640775-P	2	Seal kit for 4592034
		Seal Kit	4592032-P	2	Seal kit for 4592038
		Seal Kit	4671663-P	2	Seal kit for 4712156
		Cylinder GP	4658645-P	2	
		Seal Kit	4658648-P	2	Seal kit for 4658645
		Motor	Motor	Fan Motor Gear	4480095-P
Travel Motor	4689831-P			4	
Fan Motor	4370157-P			1	
Pump	Pump	Main pump	4689809-P	4	
		Swing pump	4679656-P	4	
		Fan Pump	4370152-P	2	
		Replenishing pump	4370151-P	2	
		Pump Gear	4480066-P	1	
		Pump Gear	4715778-P	1	
Power Train and braking system	Gear gp	Gear GP Travel	5336931-P	2	
		Gear GP Swing	4780706-P	4	





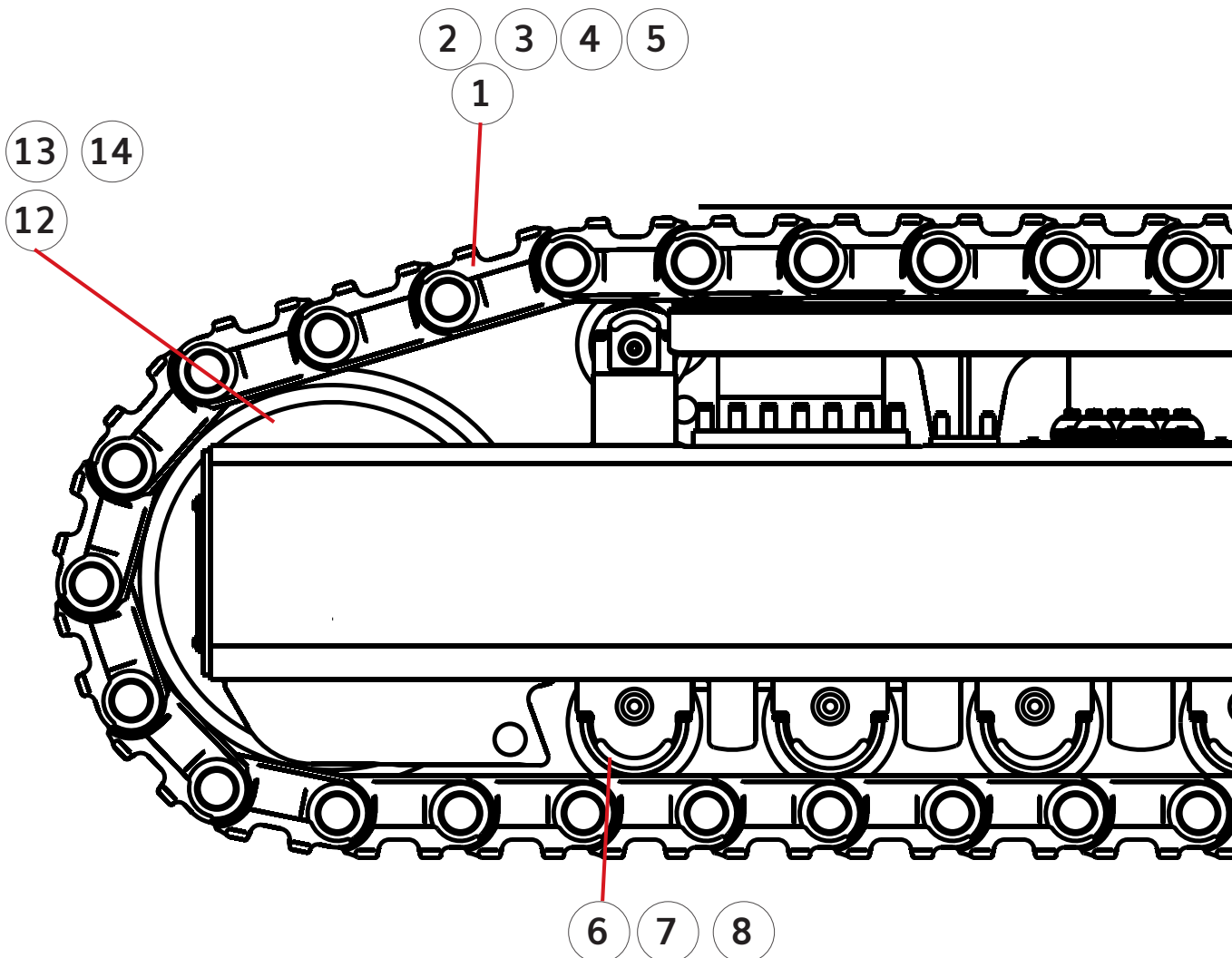
O&K®  
RH90

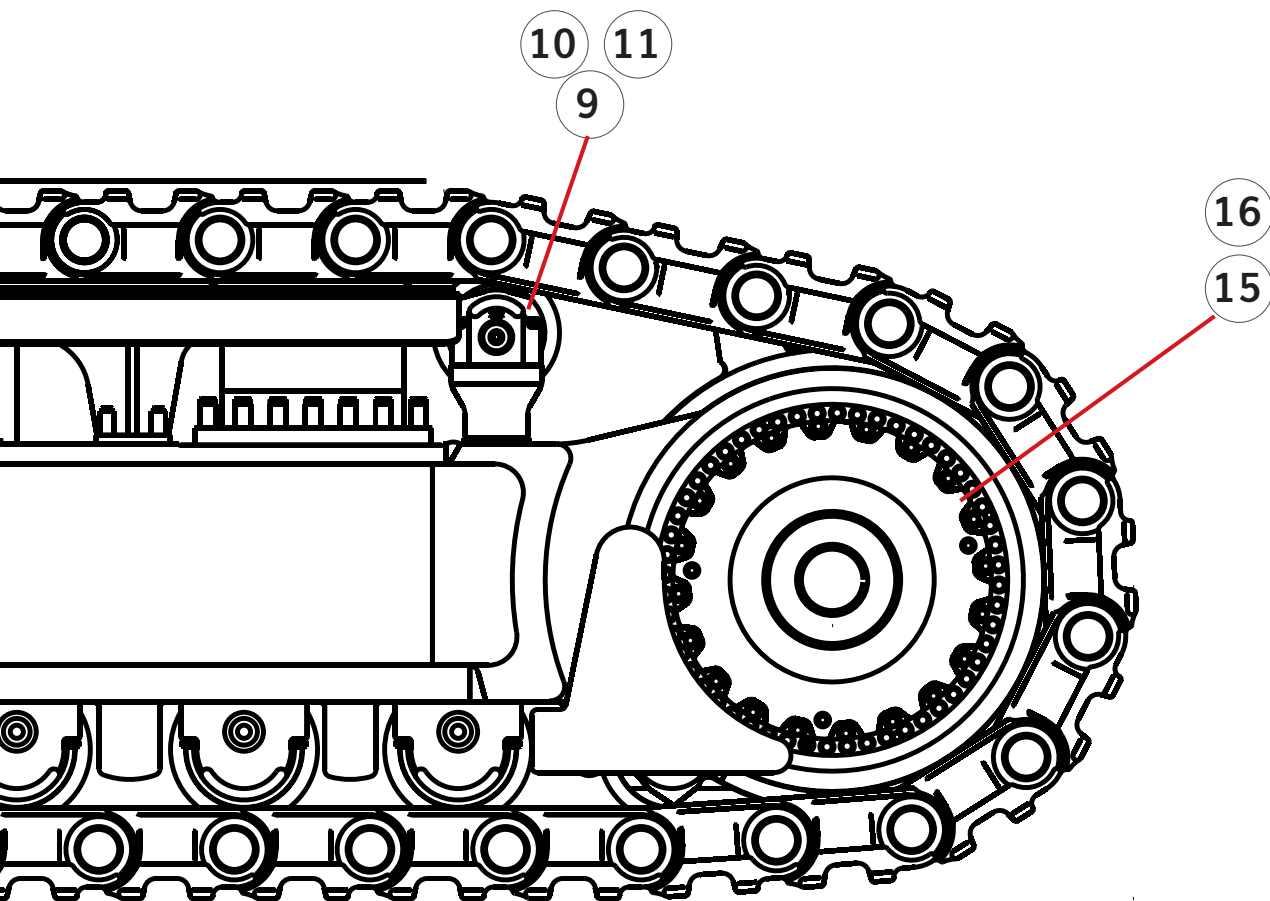
RH120E

RH200

RH340

N°	Product	Parts number	Qty
1	Shoes	OK340S1400-1A	78
2	Shoe pin RH200	OK340P110-1	1
3	Shoe bolt RH200	B88C36X100M	1
4	Shoe washer RH200	EL9750W-1	1
5	Shoe nut RH200	NN8C36M	1
6	Bottom roller	UK340RL-1A	12
7	Bottom roller Bolt	B129C30X190M	96
8	Bottom roller washer	RR30	96
9	Carrier roller	UK120ERL-1K	4
10	Carrier roller Bolt	B129C30X220M	16
11	Carrier roller Washer	RR30	16
12	Idler	OK340FI1488-3K	2
13	Idler bolt	TH24160	16
14	Idler washer	RR24	16
15	Sprocket	DK340DT12-1K	2
16	Sprocket Bolt	B129C30X240M-12PT	104

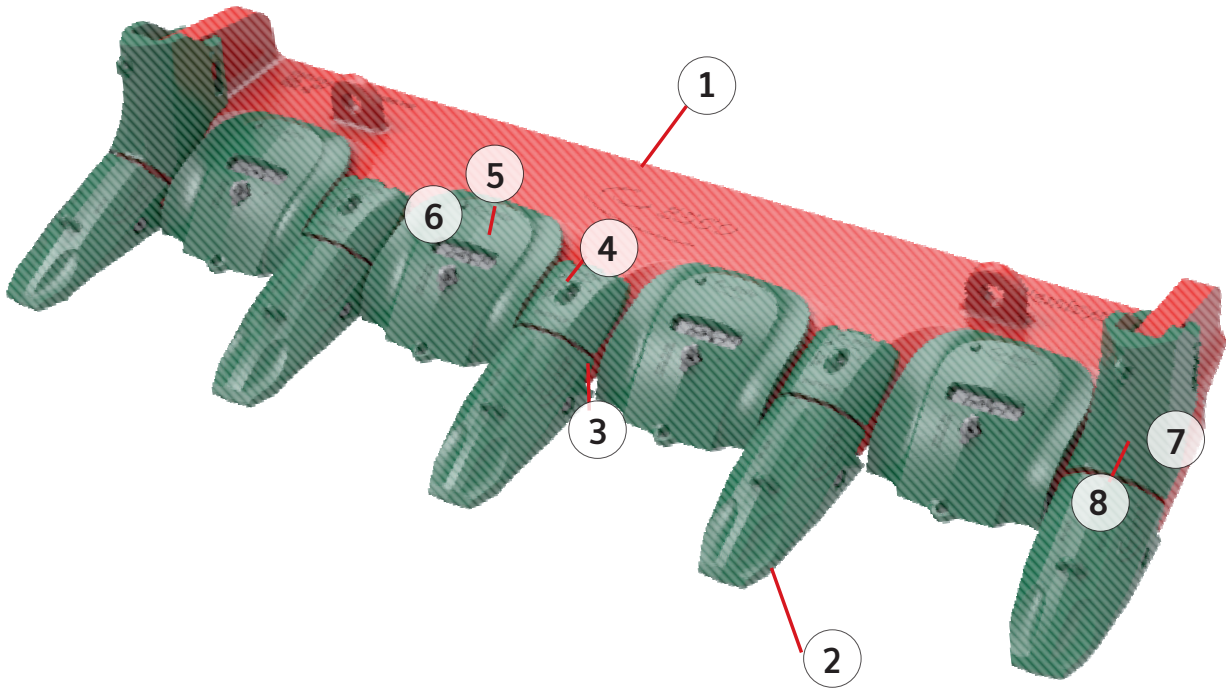




## Nemisys® - N70

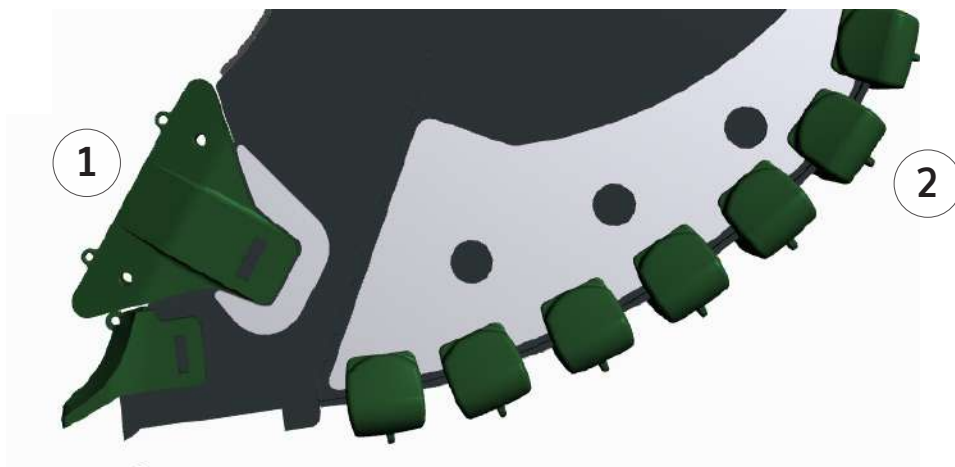
Bucket face shovel 21 m<sup>3</sup> (CECE 2:1) / 4300 mm Inner width

Upload Bucket Performances  
more informations p. 15



### ESCO NEMISYS **New System**

N°	Product	Part Number	Qty
1	EDGE CAST LIP	N3LP430-6-00A	1
2	TOOTH	N3S	6
3	ADAPTER	N3H	6
4	WEAR CAP	N3WCLPA	4
5	LIP SHROUD	N4SH430	5
6	PIN	HPC-ASSY-2A	5
7	LOWER WING SHROUD	N3LWS-6	2
8	PIN	HPA-ASSY-2	2



## WEAR KIT On request

N°	Product	Part Number
1	WING SHROUD	TBW90X855-1A
2	CORNER WEAR SHOES	BFF-7
	Infinity wear buttons Ø 50 mm TH 25 mm	WB50
	Infinity wear buttons Ø 75 mm TH 25 mm	WB75
	Infinity wear buttons Ø 90 mm TH 30 mm	WB90
	Infinity wear buttons Ø 115 mm TH 32 mm	WB115
	Infinity wear buttons Ø 150 mm TH 35 mm	WB150
	Infinity wear bars width 25 mm TH 23 mm	CB25
	Infinity wear bars width 38 mm TH 23 mm	CB40
	Infinity wear bars width 50 mm TH 23 mm	CB50
	Infinity wear bars width 65 mm TH 23 mm	CB65
	Infinity wear bars width 90 mm TH 23 mm	CB90
	Infinity wear bars width 100 mm TH 23 mm	CB100
	Infinity wear bars width 25 mm TH 23 mm	CB130



## OUTSIDE WEAR KIT

N°	Product
	6810W-85SV2
	BAR3000
	Upper bottom wear plate
	Bended wear plate
	1 Horizontale wear part out bottom



## INSIDE WEAR KIT

N°	Product
	fullwear plate inside bottom
	Inside right upside Wear part
	Inside right low side Wear part
	Inside left upside Wear part
	Inside left low side Wear part

## Partinium® program



### Hydraulic

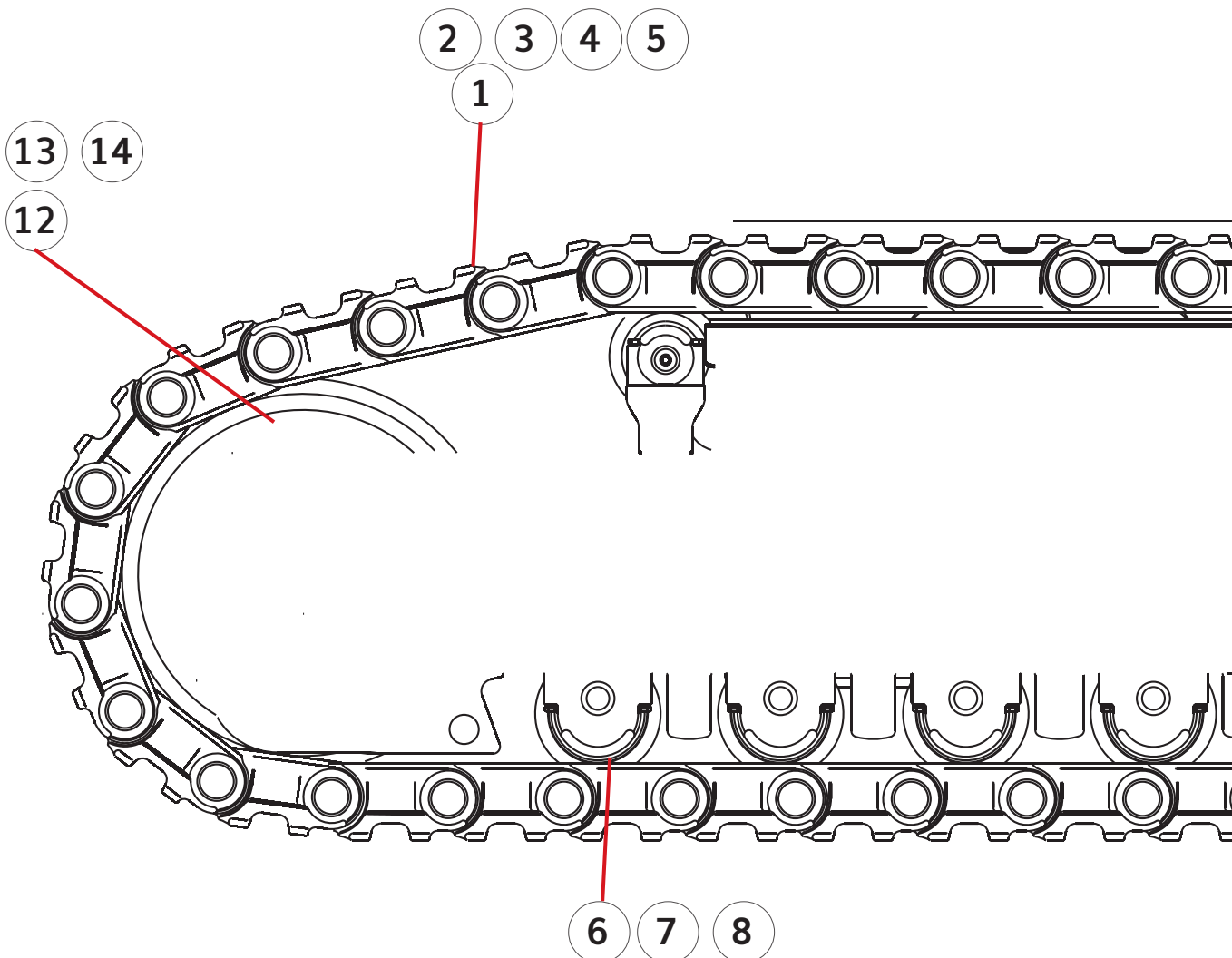


### Power Train and braking system

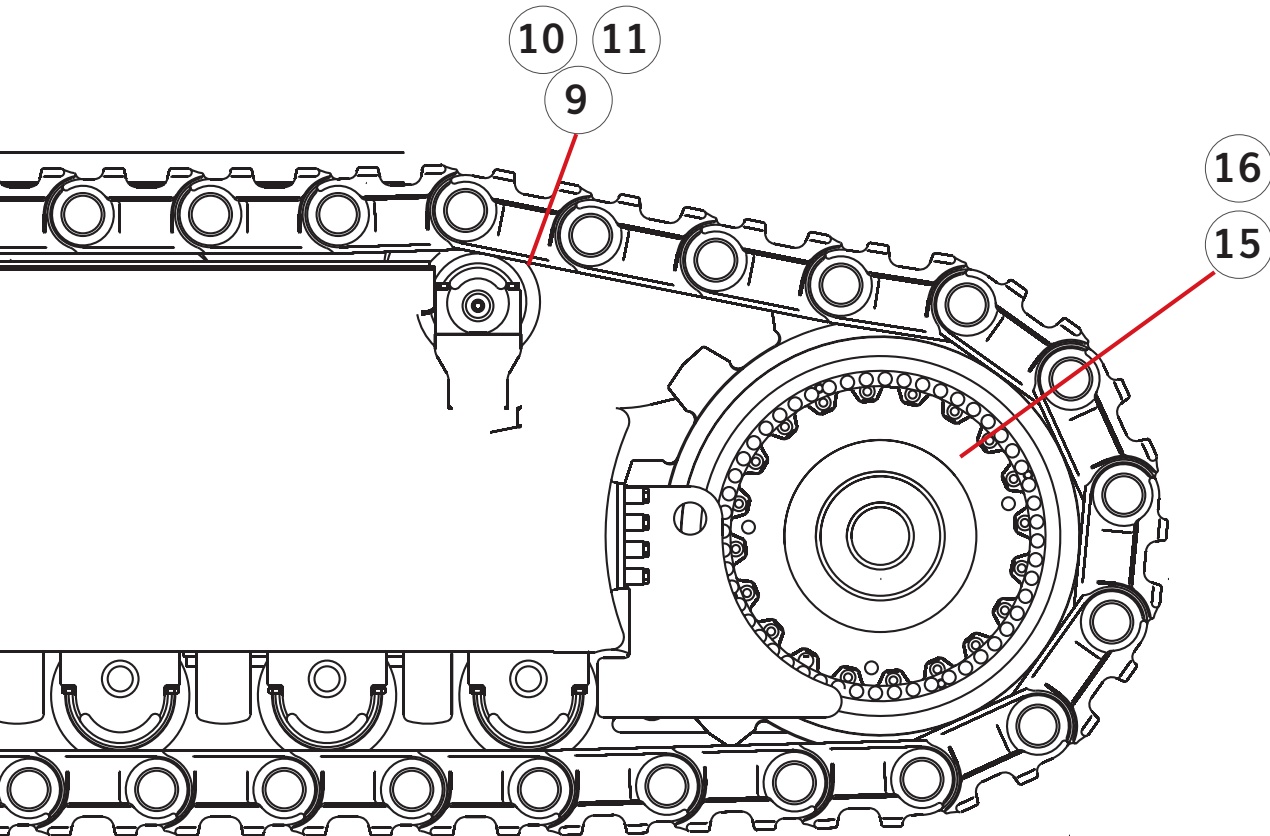
		Product	Parts number	Qty	
Hydraulic	Cylinder	Cylinder GP	4712159-P	2	FS Boom
		Cylinder GP	4671658-P	1	FS Stick
		Cylinder GP	1453534-P	1	FS Stick
		Cylinder GP	4592056-P	1	FS Stick
		Cylinder GP	4671658-P	1	FS Bucket
		Cylinder GP	1453534-P	1	FS Bucket
		Cylinder GP	4671599-P	2	FS Clam
		Cylinder GP	4712150-P	2	FS Clam
		Cylinder GP	4592050-P	2	FS Clam
		Seal kit for 4712159	4671667-P	2	
		Seal kit for 4671658	4671663-P	2	
		Seal kit for 1453534	5336914-P	2	
		Seal kit for 4592056	4592051-P	2	
		Seal kit for 4671658	4671663-P	2	
		Seal kit for 1453534	5336914-P	2	
		Seal kit for 4671599	4671604-P	2	
		Seal kit for 4712150	4640764-P	2	
		Seal kit for 4592050	4592045-P	2	
		Cylinder GP	4712158-P	2	BH Boom
		Cylinder GP	4592031-P	2	BH Boom
		Cylinder GP	4592034-P	2	BH Stick
		Cylinder GP	4592038-P	2	BH Stick
	Cylinder GP	4591991-P	2	BH Bucket	
	Cylinder GP	4025239-P	2	BH Bucket	
	Seal kit for 4712158	4658674-P	2		
	Seal kit for 4592031	4591992-P	2		
	Seal kit for 4592034	4640775-P	2		
	Seal kit for 4592038	4592032-P	2		
	Seal kit for 4591991	4591986-P	2		
	Seal kit for 4025239	5349245-P	2		
	Motor	Hydraulic Motor	4370157-P	2	Fan Motor
		Hydraulic Motor GP	4689831-P	4	Travel Motor GP
		Hydraulic Motor GP	4480095-P	4	Cooling Motor
Hydraulic Motor GP		4370155-P	4	Slewing motor	
Hydraulic Motor GP		4885417-P	4	Slewing motor	
Pump	Hydraulic Pump GP	4682687-P	4		
	Hydraulic Pump GP	4679656-P	4		
	Hydraulic Pump GP	4370151-P	2		
	Hydraulic Pump GP	4370152-P	2		
	Pump gear	4480066-P	4	Pump gear	
	Pump gear	4715778-P	2	Pump gear	
Power Train and braking system	Gear gp	Gear GP	4780706-P	4	Swing Gear GP
		Gear GP	5349057-P	2	Travel Gear GP



N°	Product	Parts number	Qty
1	Shoes	OK340S1400-1A	84
2	Shoe pin	OK340P110-1	1
3	Shoe bolt	B88C36X100M	1
4	Shoe washer	EL9750W-1	1
5	Shoe nut	NN8C36M	1
6	Bottom roller	OK340RL-1A	14
7	Bottom roller Bolt	B129C30X190M	112
8	Bottom roller washer	WF30X10M	112
9	Carrier roller	OK120ERL-3A	4
10	Carrier roller Bolt	B129C30X220M	16
11	Carrier roller Washer	WF30X10M	16
12	Idler	OK340FI1488-1A	2
13	Idler bolt	TH24160	16
14	Idler washer	RR24	16
15	Sprocket	DK340DT12-1	2
16	Sprocket Bolt	TH30240/	104



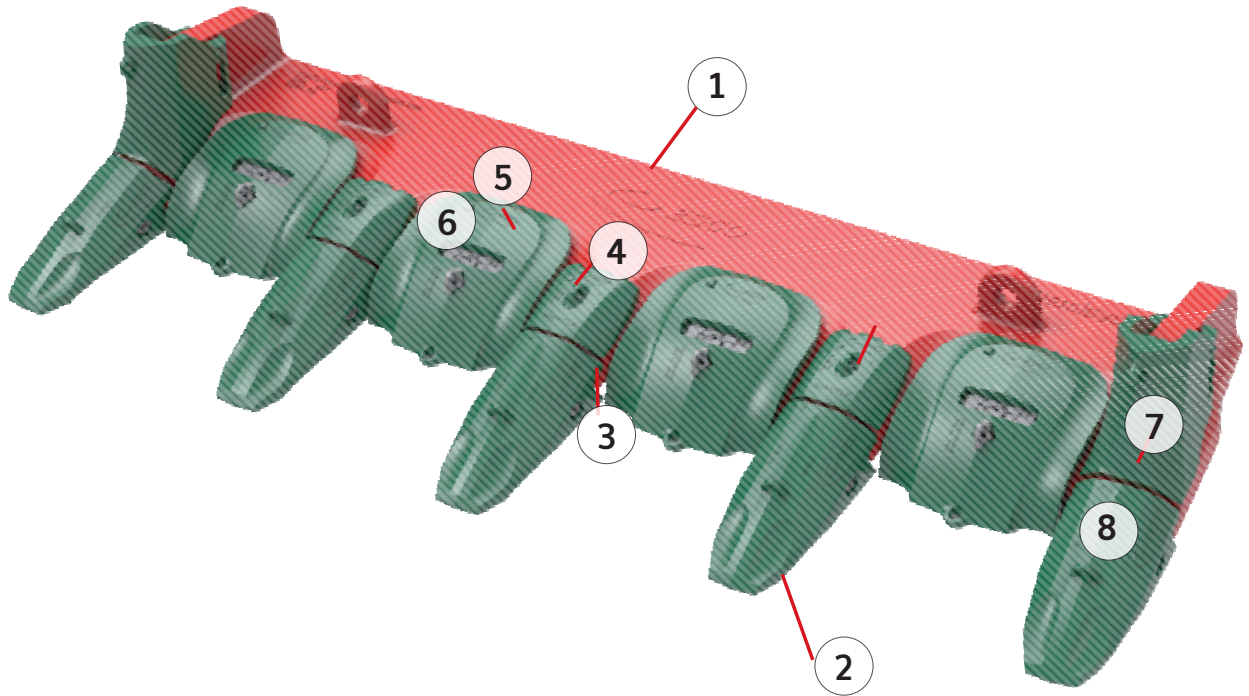




## Nemisys® - N70

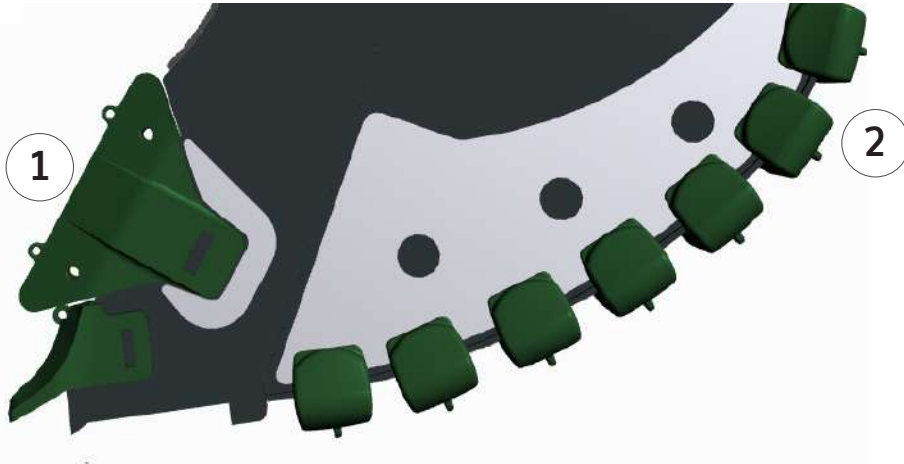
Bucket face shovel 28 m<sup>3</sup> (CECE 2:1) / 4300 mm Inner width

Upload Bucket Performances  
more informations p. 15



### ESCO NEMISYS **New System**

N°	Product	Part Number	Qty
1	EDGE CAST LIP	N5LP430-6-00	1
2	TOOTH	N5S	5
3	ADAPTER	N5H	5
4	WEAR CAP	N5WCLPA	3
5	LIP SHROUD	N5SH430	4
6	PIN	HPC-ASSY-2A	4
7	LOWER WING SHROUD	N5LWS-2	2
8	PIN	HPA-ASSY-2	2



## WEAR KIT On request

N°	Product	Part Number
1	WING SHROUD	TBW90X855-1A
2	CORNER WEAR SHOES	BFF-7
	Infinity wear buttons Ø 50 mm TH 25 mm	WB50
	Infinity wear buttons Ø 75 mm TH 25 mm	WB75
	Infinity wear buttons Ø 90 mm TH 30 mm	WB90
	Infinity wear buttons Ø 115 mm TH 32 mm	WB115
	Infinity wear buttons Ø 150 mm TH 35 mm	WB150
	Infinity wear bars width 25 mm TH 23 mm	CB25
	Infinity wear bars width 38 mm TH 23 mm	CB40
	Infinity wear bars width 50 mm TH 23 mm	CB50
	Infinity wear bars width 65 mm TH 23 mm	CB65
	Infinity wear bars width 90 mm TH 23 mm	CB90
	Infinity wear bars width 100 mm TH 23 mm	CB100
	Infinity wear bars width 25 mm TH 23 mm	CB130



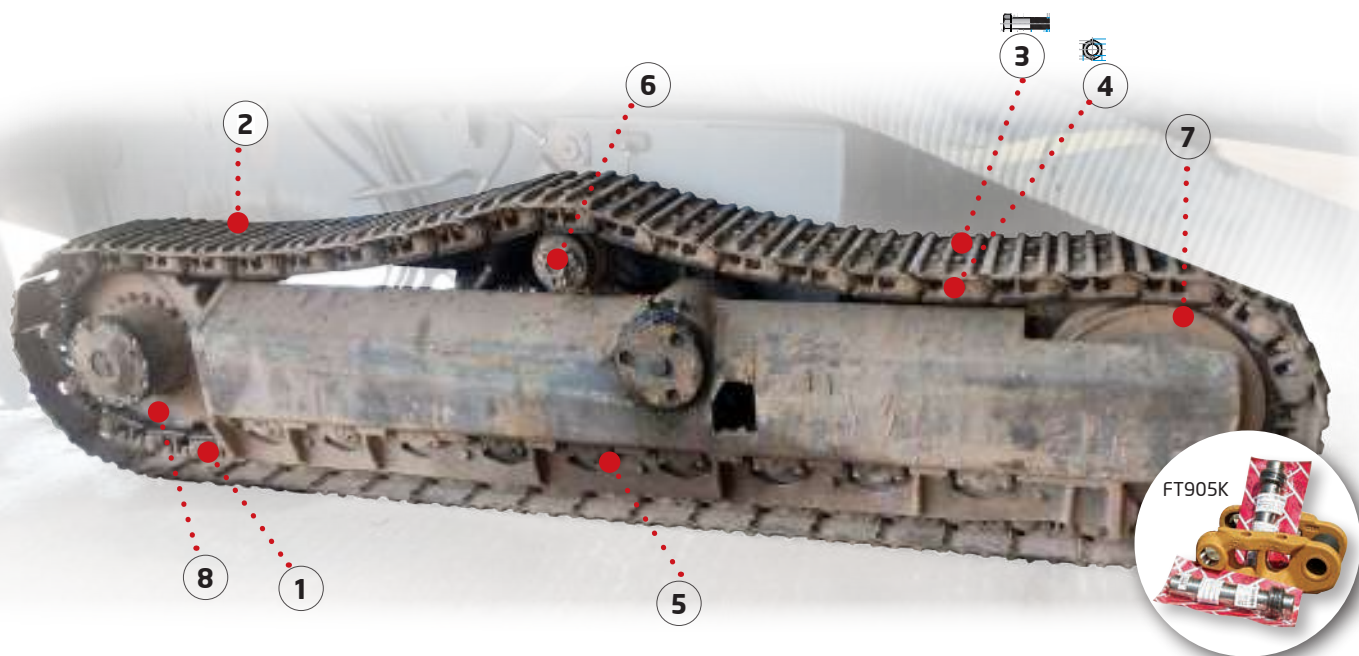
## OUTSIDE WEAR KIT

N°	Product
	6810W-85SV2
	BAR3000
	Upper bottom wear plate
	Bended wear plate
	1 Horizontale wear part out bottom



## INSIDE WEAR KIT

N°	Product
	fullwear plate inside bottom
	Inside right upside Wear part
	Inside right low side Wear part
	Inside left upside Wear part
	Inside left low side Wear part

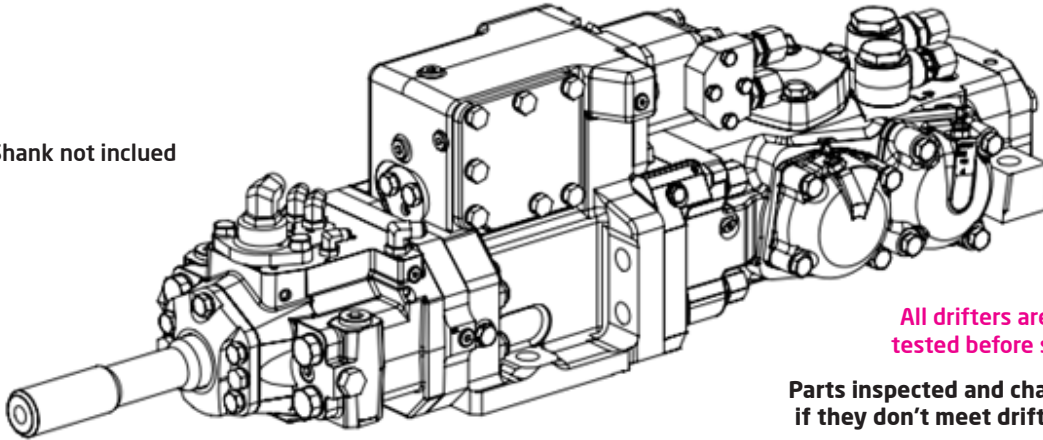


N°	Product	Part Number	Quantity
1	Link Ass	FT0905/43	2
2	Shoes	FT1240/310	86
3	Shoes bolt	CR429	344
4	Shoes nuts	CR1968	344
5	Tracks rollers SF	VA0542	14
6	Carrier rollers	VA0542	2
7	Idlers with tensioning	FA6	2
8	Sprocket	AT184	2



# DRIFTER HL1060

Shank not included



All drifters are bench tested before shipping

Parts inspected and charged additionally if they don't meet drifter Specifications

## Bronze




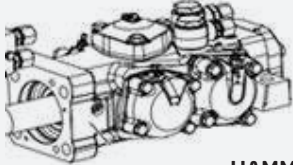
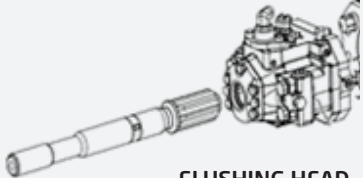
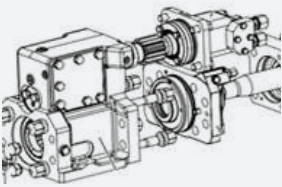
HL1060-D65-REB-BR  
HL1060-D80-REB-BR

## Silver

HL1060-D65-REB-SV  
HL1060-D80-REB-SV

## Gold

HL1060-D65-REB-GL  
HL1060-D80-REB-GL

Description	 BRONZE	 SILVER	 GOLD	
Endurance Kit		●	●	 HAMMER
Stabilizer Kit			●	
Percussion Kit			●	
* Flushing Seal Kit	●	●	●	 FLUSHING HEAD
*Complete Drifter Seal Kit	●	●	●	
*Complete Drifter Seal Kit	●	●	●	
Hydraulic Motor OMT 500			●	 DRIVE GROUP
Motor Seal Kit OMT 500			●	
Rotation Kit			●	

\* Available for diameter 65 and 80

# Flushing Head

## Flushing repair kit

Diametre 65	Diametre 80
BG00646594-P	BG00646595-P

Product	D65 Part Number	D80 Part Number	Qty
Hex Head Bolt	8005199	800 551 99	4
Washer Lock double	85128469	851 284 69	4
Hex head screw	AF00101125	AF0 010 1125	4
Washer Lock double	AF0300034	AF0 300 0034	6
Hex head screw	AF00101122	AF0 010 1122	2
Seal U	85318999	853 189 99	5
Bushing Bearing	15238718	152 387 18	1
O ring	80409409	804 094 09	4
Gasket	15061698	150 616 98	1
O ring	52213100	522 131 00	1
O ring	52211340	522 113 40	1
Hex Head Bolt	44221850	442 218 50	2
Washer	85068749	850 687 49	2
Retainer / Bushing Shank	15404028	154 040 28	1
O ring	80652099	806 520 99	1
Gasket	15245028	152 450 28	1
Lock Nut	80177739	801 777 39	4
Screw Retainer	55012600	550 126 00	1
Bonded Seal	80103149	801 031 49	1

## Flushing seal kit

Diametre 65	Diametre 80
55019007-P	88494279-P

Product	D65 Part Number	D80 Part Number	Qty
Seal U	885 447 89	853 189 99	5
O ring	804 094 09	804 094 09	4
Gasket	150 616 98	150 616 98	1
O ring	522 131 00	522 131 00	1
O ring	522 113 40	522 113 40	1
O ring	806 520 99	806 520 99	1
Gasket	152 450 28	152 450 28	1
Gasket	152 417 88	152 417 88	1
O ring	804 094 09	804 094 09	1



## Complete drifter seal kit

Diametre 65	Diametre 80
BG00362412-P	BG00358781-P

	Product	Part Number	Qty	
Gearbox/Rotation Housing	O ring	800 658 09	3	
	O ring	522 131 00	4	
	Bonded Seal	801 031 49	2	
	O ring	806 520 99	3	
	Seal U	883 981 79	2	
	O ring	869 751 99	3	
	Seal Rod	550 360 90	2	
	O ring	855 968 89	20	
	O ring	551 994 84	2	
	O ring	804 379 09	2	
Body Rock Drill	O ring	550 361 86	2	
	O ring	857 318 99	2	
	Bonded Seal	800 350 09	5	
	Usit Seal	800 349 49	3	
	O ring	817 257 69	2	
	O ring	814 780 09	3	
	O ring	855 968 89	3	
	O ring	817 741 29	3	
	Accumulator	O ring	867 613 69	3
		Diaphragm	092 602 98	5
Valve		807 590 69	5	
O ring		522 134 90	5	
O ring		819 532 09	5	
O ring		866 809 69	3	
Cap Protecting		085 370 18	5	
Seal Gasket		151 917 08	2	
O ring		428 702 10	2	
Diaphragm		041 148 08	2	
Percussion Mechanism	O ring	800 816 79	3	
	O ring	819 532 09	3	
	Seal Rod	852 755 09	3	
	O ring	800 118 39	2	
	O ring	800 658 09	2	
	O ring	800 119 69	6	
	Rear Cover	O ring	801 517 29	2
		Spacer/Stabilizer	O ring	802 441 79
	O ring		870 533 19	2
	Seal Rod		852 756 39	3
O ring	550 262 05		2	
O ring	865 815 59		3	
O ring	819 533 39		2	
O ring	550 152 17		2	
O ring	800 119 69		3	
Seal Rod	550 360 89		1	
Bonded Seal	801 031 49		3	
Motor Rotation	O ring	522 450 80	2	
	O ring	853 533 99	3	
	Usit Seal	801 789 09	1	
	Seal Shaft	883 983 29	2	
Flushing Head	O ring	522 135 10	2	
	O ring	801 496 49	2	
	O ring	804 094 09	5	
	Seal U	885 447 89	6	
	O ring	522 131 00	2	
	O ring	522 113 40	2	
	Plate Gasket	150 616 98	1	
	Plate Gasket	152 450 28	1	
	O ring	806 551 99	2	
	O ring	804 094 09	2	
Plate Gasket	152 417 88	1		

## Hammer

### Endurance Kit

BG00550204-P

Product	Part Number	Qty
Bearing	55035050	1
Chuck	BG00300481	1
Hex Screw	80053869	2
Washer Lock	85068749	10
Bushing	15236268	3
Bearing Roller	87166799	1
Bearing Needle	81613279	2
Ring Slip	15060968	2
Bearing Roller	87166799	1
Bearing Roller SPH	85546439	1
Bushing	55052162	1
Hex Head Screw	80044849	4
Washer Lock Double	85128339	4
Hex Head Screw	80053739	7
Bushing Bearing	55035048	1
Bushing	55035049	1
Bushing	55135051	1
Bushing	55235052	1
Hex Head Bolt	80054059	16
Washer Lock	85068749	20
Valve	80759069	5
Cap Protecting	8537018	5
Diaphragm	9260298	4
Hex Head Bolt	86321729	3
Diaphragm	4114808	1
Seal Gasket	15191708	1
Hex Head Screw	80097529	6
Washer Lock	AF03000036	6

### Percussion Kit

BG00670776-P

Product	Part Number	Quantity
Piston	55097288	1
Distributor	BG00326650	1
Bushing	15165508	1
Housing Seal	15166808	1

### Stabilizer kit

BG00646593-P

Product	Part Number	Quantity
Ring	55035897	1
Piston	55034812	1
Piston	55035419	1



## Drive group

### Rotation Kit

BG00550201-P

Product	Part Number	Quantity
Pin	154 020 08	1
Gear wheel assembly	150 620 38	1
Shaft Rotating	302 827 88	1
Driver ( Bronze )	550 347 96	1
Bushing Rotation	550 348 41	1

### Bolt Kit

BG00646592-P

Product	Quantity
Cap Nut	151 679 38 8
Bolt Side	550 379 11 4

### Body kit

BG00580621-P

Product	Quantity
Housing	550 358 60 1
Spacer	BG 003 294 05 1
Body Rock Drill	BG 003 896 61 1

### Hydraulic motor OMT500

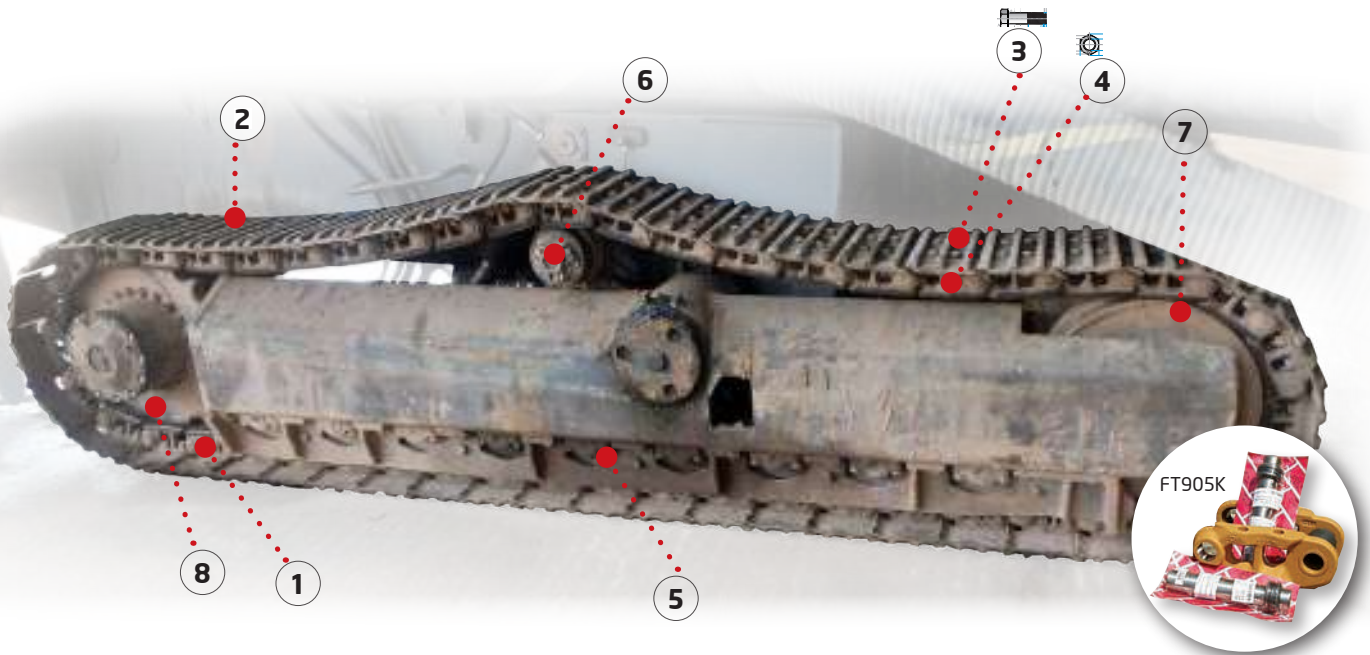
88345109-P

Product	Part Number	Quantity
O-RING	52213510	1
O-RING	80149649	1
SHAFT SEAL	88398329	2

### Motor seal Kit OMT 500

86766699-P

Product	Part Number	Quantity
O-RING	52213510	1
O-RING	80149649	1
SHAFT SEAL	88398329	2



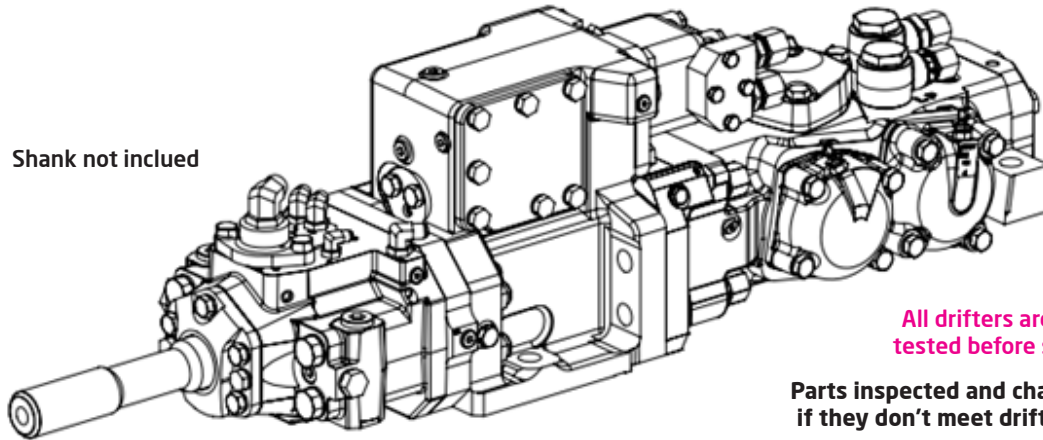
N°	Product	Part Number	Quantity
1	Link Ass	FT905/43	2
2	Shoes	FT1240/310	86
3	Shoes bolt	CR429	344
4	Shoes nuts	CR1968	344
5	Tracks rollers SF	VA542	14
6	Carrier rollers	VA542	2
7	Idlers with tensioning	FA6	2
8	Sprocket	VA1807	2





# DRIFTER HL1560

Shank not included



All drifters are bench tested before shipping

Parts inspected and charged additionally if they don't meet drifter Specifications

## Bronze




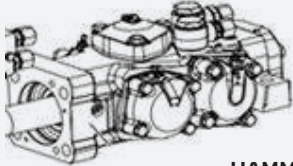
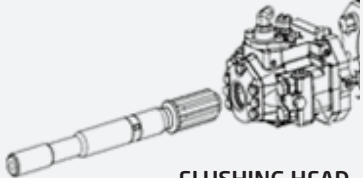
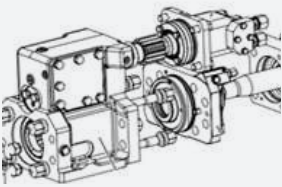
HL1560-D65-REB-BR  
HL1560-D80-REB-BR

## Silver

HL1560-D65-REB-SV  
HL1560-D80-REB-SV

## Gold

HL1560-D65-REB-GL  
HL1560-D80-REB-GL

Description	 BRONZE	 SILVER	 GOLD	
Endurance Kit		●	●	 HAMMER
Stabilizer Kit			●	
Percussion Kit			●	
* Flushing Seal Kit	●	●	●	 FLUSHING HEAD
*Complete Flushing repair Kit	●	●	●	
*Complete Drifter Seal Kit	●	●	●	
Hydraulic Motor OMT 500			●	 DRIVE GROUP
Motor Seal Kit OMT 500			●	
Rotation Kit			●	

\* Available for diameter 65 and 80

# Flushing Head

## Flushing repair kit

Diametre 65	Diametre 80
BG00646594-P	BG00646595-P

Product	D65 Part Number	D80 Part Number	Qty
Hex Head Bolt	8005199	800 551 99	4
Washer Lock double	85128469	851 284 69	4
Hex head screw	AF00101125	AF0 010 1125	4
Washer Lock double	AF0300034	AF0 300 0034	6
Hex head screw	AF00101122	AF0 010 1122	2
Seal U	85318999	853 189 99	5
Bushing Bearing	15238718	152 387 18	1
O ring	80409409	804 094 09	4
Gasket	15061698	150 616 98	1
O ring	52213100	522 131 00	1
O ring	52211340	522 113 40	1
Hex Head Bolt	44221850	442 218 50	2
Washer	85068749	850 687 49	2
Retainer / Bushing Shank	15404028	154 040 28	1
O ring	80652099	806 520 99	1
Gasket	15245028	152 450 28	1
Lock Nut	80177739	801 777 39	4
Screw Retainer	55012600	550 126 00	1
Bonded Seal	80103149	801 031 49	1

## Flushing seal kit

Diametre 65	Diametre 80
55019007-P	88494279-P

Product	D65 Part Number	D80 Part Number	Qty
Seal U	885 447 89	853 189 99	5
O ring	804 094 09	804 094 09	4
Gasket	150 616 98	150 616 98	1
O ring	522 131 00	522 131 00	1
O ring	522 113 40	522 113 40	1
O ring	806 520 99	806 520 99	1
Gasket	152 450 28	152 450 28	1
Gasket	152 417 88	152 417 88	1
O ring	804 094 09	804 094 09	1



## Complete drifter seal kit

Diametre 65	Diametre 80
BG00362412-P	BG00358781-P

	Product	Part Number	Qty	
Gearbox/Rotation Housing	O ring	800 658 09	3	
	O ring	522 131 00	4	
	Bonded Seal	801 031 49	2	
	O ring	806 520 99	3	
	Seal U	883 981 79	2	
	O ring	869 751 99	3	
	Seal Rod	550 360 90	2	
	O ring	855 968 89	20	
	O ring	551 994 84	2	
	O ring	804 379 09	2	
Body Rock Drill	O ring	550 361 86	2	
	O ring	857 318 99	2	
	Bonded Seal	800 350 09	5	
	Usit Seal	800 349 49	3	
	O ring	817 257 69	2	
	O ring	814 780 09	3	
	O ring	855 968 89	3	
	O ring	817 741 29	3	
	Accumulator	O ring	867 613 69	3
		Diaphragm	092 602 98	5
Valve		807 590 69	5	
O ring		522 134 90	5	
O ring		819 532 09	5	
O ring		866 809 69	3	
Cap Protecting		085 370 18	5	
Seal Gasket		151 917 08	2	
O ring		428 702 10	2	
Diaphragm		041 148 08	2	
Percussion Mechanism	O ring	800 816 79	3	
	O ring	819 532 09	3	
	Seal Rod	852 755 09	3	
	O ring	800 118 39	2	
	O ring	800 658 09	2	
	O ring	800 119 69	6	
	Rear Cover	O ring	801 517 29	2
	Spacer/Stabilizer	O ring	802 441 79	3
		O ring	870 533 19	2
		Seal Rod	852 756 39	3
O ring		550 262 05	2	
O ring		865 815 59	3	
O ring		819 533 39	2	
O ring		550 152 17	2	
O ring		800 119 69	3	
Seal Rod		550 360 89	1	
Bonded Seal		801 031 49	3	
Motor Rotation	O ring	522 450 80	2	
	O ring	853 533 99	3	
	Usit Seal	801 789 09	1	
	Seal Shaft	883 983 29	2	
	O ring	522 135 10	2	
	O ring	801 496 49	2	
	Flushing Head	O ring	804 094 09	5
		Seal U	885 447 89	6
		O ring	522 131 00	2
		O ring	522 113 40	2
Plate Gasket		150 616 98	1	
Plate Gasket		152 450 28	1	
O ring		806 551 99	2	
O ring		804 094 09	2	
Plate Gasket		152 417 88	1	

## Hammer

### Endurance Kit

BG00550204-P

Product	Part Number	Qty
Bearing	55035050	1
Chuck	BG00300481	1
Hex Screw	80053869	2
Washer Lock	85068749	10
Bushing	15236268	3
Bearing Roller	87166799	1
Bearing Needle	81613279	2
Ring Slip	15060968	2
Bearing Roller	87166799	1
Bearing Roller SPH	85546439	1
Bushing	55052162	1
Hex Head Screw	80044849	4
Washer Lock Double	85128339	4
Hex Head Screw	80053739	7
Bushing Bearing	55035048	1
Bushing	55035049	1
Bushing	55135051	1
Bushing	55235052	1
Hex Head Bolt	80054059	16
Washer Lock	85068749	20
Valve	80759069	5
Cap Protecting	8537018	5
Diaphragm	9260298	4
Hex Head Bolt	86321729	3
Diaphragm	4114808	1
Seal Gasket	15191708	1
Hex Head Screw	80097529	6
Washer Lock	AF03000036	6

### Percussion Kit

BG00580620-P

Product	Part Number	Quantity
Piston	302 947 28	1
Distributor	BG 003 266 50	1
Bushing	151 655 08	1
Housing Seal	151 668 08	1

### Stabilizer kit

BG00646593-P

Product	Part Number	Quantity
Ring	55035897	1
Piston	55034812	1
Piston	55035419	1



## Drive group

### Rotation Kit

BG00550201-P

Product	Part Number	Quantity
Pin	154 020 08	1
Gear wheel assembly	150 620 38	1
Shaft Rotating	302 827 88	1
Driver ( Bronze )	550 347 96	1
Bushing Rotation	550 348 41	1

### Bolt Kit

BG00646592-P

Product	Quantity
Cap Nut	151 679 38 8
Bolt Side	550 379 11 4

### Body kit

BG00580621-P

Product	Quantity
Housing	550 358 60 1
Spacer	BG 003 294 05 1
Body Rock Drill	BG 003 896 61 1

### Hydraulic motor OMT500

88345109-P

Product	Part Number	Quantity
O-RING	52213510	1
O-RING	80149649	1
SHAFT SEAL	88398329	2

### Motor seal Kit OMT 500

86766699-P

Product	Part Number	Quantity
O-RING	52213510	1
O-RING	80149649	1
SHAFT SEAL	88398329	2

# Accessories for your safety ...



Discover the ...

# Safety

Lights

Backalarms

Camera Monitor Systems

Radar Obstacle Detection

# Workshop tools

Welding

Tools KingTony

# SAFETY LIGHTS



## EW3200 SERIES -DOUBLE ROW

ECCO's double row utility bars offer long, maintenance-free life expectancy, low amp draw, and extremely bright white light output. Available in two lengths, each with a choice of two mounting options. These bars are an ideal choice for both commercial and recreational applications. Features include 12-24 VDC operation, 5-watt LEDs, combination flood/spot beam, rugged housing, UV hardcoated polycarbonate lens, and a 5-year warranty.



## ROKLUME 155 TP

The RokLUME 155 TP compact is a **robust worklight in a universal,** attractive design. The innovative heat-conducting plastic housing also features cooling fins which ensure **the required heat dissipation** from the high-power LEDs. Along with weight reduction, the new material also offers **the advantage of complete corrosion resistance.** The light output from the four high-power LEDs is an impressive 1,200 lumens. The light is distributed by a specially developed multi-faceted reflector, thus ensuring homogeneous illumination. Its energy consumption is just **15 watts of power.**



- Developed specifically for Mining applications
- Corrosion-free plastic housing for Heavy Duty use
- Very compact size



## ROKLUME S700 RED

The RokLUME S700 RED with VISIOTECH technology projects a wide red marking on the ground to indicate danger or hazard zones. It is suitable for vehicles with high mounting positions, particularly for mining vehicles.



## SL60 LED

With the SL60 LED, featuring VISIOTECH technology, a warning line can be projected on the ground to warn other drivers or passers-by but also to simplify vehicle navigation



Reference	Designation	Voltage	Color
276.006.16	Boundary lights SL60 LED	12/24/48 V	Red
780.420.98	Boundary lights SL60 LED	12/24/48 V	Blue

## FLASHING LIGHT

LEDs

R65



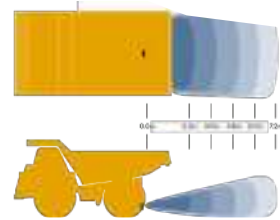
Fixation	3 vis	sur hampe fixe
Référence	126.860.29	126.860.30

# Safety / Camera Monitor & radar systems



## BACKEYE® 360

Why Backsense® Radar Obstacle Detection for Commercial Vehicles and Machines?



Industries such as mining, quarrying, agriculture and construction use machines and plant equipment, which by their very nature **pose a danger if they are not managed safely**. Blind spots tend to be much larger on these vehicles and include not only the rear and nearside but also the front, especially with elevated driver positions. Terrains are harsh, **vehicles are exposed to the elements more aggressively** whilst thick dust and darkness decrease visibility further.

Watch the video !



Scan me !



Référence	Type	Longueur de détection (m)	Largeur de détection (m)
BS-8000-KIT	programmable	3 à 30	2 à 10
BS-7030-KIT		3	2,5
BS-7045-KIT	fixe	4,5	3,5
BS-7060-KIT		6	4,5

## BACKSENSE® RADAR OBSTACLE DETECTION



Backalarm



## BACKEYE® 360

### Why 360° Vehicle Camera Systems?

All vehicles have **blind spots** - areas around the vehicle that are obscured to the driver by bodywork or machinery. When manoeuvring, these blind spots **present a significant danger** to anything or anyone in the vehicle's path and inhibit the driver's ability **to operate the vehicle safely.**

Watch the video !



Scan me !



Mirrors and single-view cameras help to see blind spots, but even with this extra assistance, the driver may still not see everything in the vehicle's path. After all, they can only be watching the road, or looking in one monitor or mirror at any given time. Research shows that in the time it takes to scan four mirrors, assess, and then react to hazards, even at speeds as low as 5kph a vehicle could travel as far as 10m.





Lincoln LF Wire Feeder Unit



Lincoln Flextec 500X Multi process unit.



Lincoln Vantage 322 OR 435  
Engine Drive Mobile

## Consumables:

- Lincoln NR-233 Innershield Flux Cored Wire, (Self-Shielding «F.C.A.W-S»)
- Lincoln Outershield 71 ELITE Flux Cored Wire (Gas-Shielding «F.C.A.W-G»).
- Lincoln Murematic S4+. Solid Core Wire (Gas -Shielding «G.M.A.W/M.I.G»).
- Lincoln Excalibur 7018MR, Stick Electrode (S.M.A.W).



# Protective equipment



# New



# KING TONY

Enjoy your work

Haladjian Mining official kingtony dealer



## Storage and tool sets

In order to offer you tools «efficient and pleasant to use», that exceed international quality standards (DIN, ANSI...) and that respect the environment (ISO 9001 / ISO 14001, ISO 27000 certifications).



Pullers



## Hand sockets and accessories

## Pneumatic tools



## Torque control and torque multipliers

## Tools for electronics and electricity



## Pullers



## Automotive tools



With these 17 product lines and more than 7000 references in stock, we can meet your requirements



# **Haladjian**

Mobile Equipment Solutions

*MINING*

## ORDER BOOK 2022



**ESCO**<sup>®</sup>  
A Weir Group Division



**COMPONENTS**  
Rebuild Program

**Parinium**  
Genuine Parts Program

[www.haladjian-mining.com](http://www.haladjian-mining.com) • +33 490 393 923 • [mining@haladjian.fr](mailto:mining@haladjian.fr)